



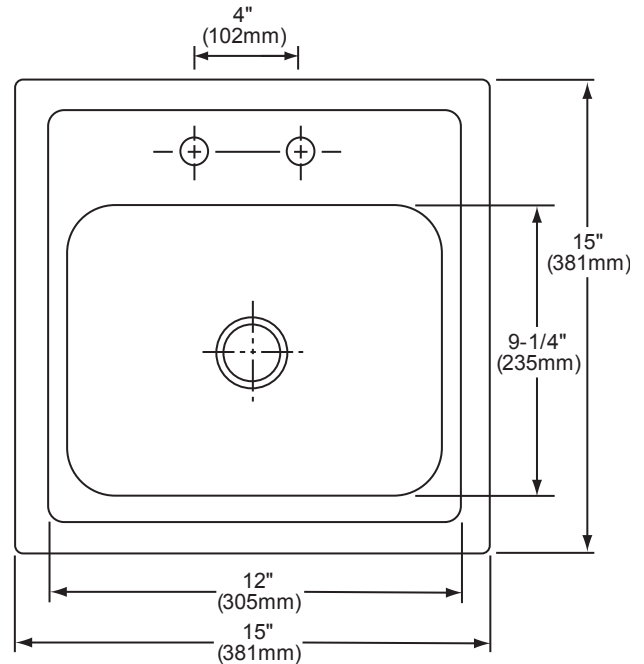
*signature*

## SPECIFICATIONS

Model HD320874LFR

### GENERAL FEATURES

- Top mount
- 20 (1.0mm) gauge stainless steel
- Durable satin finish
- 6" (152mm) depth
- Overall size: 15" (381mm) x 15" (381mm)
- 2" (51mm) center drain opening
- Includes basket strainer
- Faucet holes: (2) 1-1/4" (32mm) diameter
- Includes faucet (AB1953 compliant)
- Cutout dimension: 14-3/8" (365mm) x 14-3/8" (365mm) with 1-1/2" (38mm) radius corners
- Mounting hardware for countertops up to 3/4" (19mm) thick included
- Sound insulation – spray undercoating
- Minimum cabinet size: 18" (457mm)
- Limited lifetime warranty
- This sink does not comply with ASME A112.19.3



In keeping with our policy of continuing product improvement, Elkay reserves the right to change product specifications without notice. Please visit [elkayusa.com](http://elkayusa.com) for most current version of Elkay product specification sheets.

This specification describes an Elkay product with design, quality, and functional benefits to the user. When making a comparison of other producers' offerings, be certain these features are not overlooked.