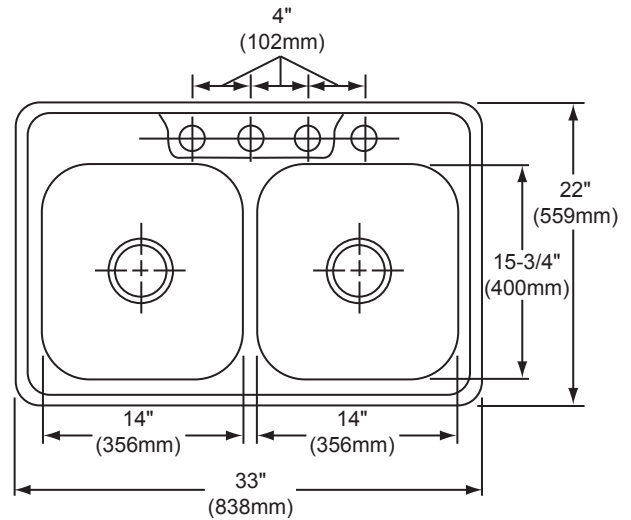


#### GENERAL FEATURES

- Top mount
- 22 (.8mm) gauge stainless steel
- Buffed satin finish
- 7" (178mm) depth
- Overall size: 33" (838mm) x 22" (559mm)
- Faucet holes: (4) 1-1/2" diameter
- 3-1/2" (89mm) center drain opening
- Cutout dimension for top mount installation: 32-3/8" (822mm) x 21-3/8" (543mm) with 1-1/2" (38mm) radius corners
- Mounting hardware for countertops up to 3/4" (19mm) thick included
- Sound insulation – spray undercoating on bottom
- Minimum cabinet size: 36" (914mm)
- Limited lifetime warranty
- This sink complies with ASMEA112.19.3-2008 / CSA B45.4-08



#### RECOMMENDED ACCESSORIES

Bottom Grid: GBG1415SS

Drain: D1125, LK35

Faucet Hole Cover: LK125R



In keeping with our policy of continuing product improvement, Elkay reserves the right to change product specifications without notice. Please visit [elkayusa.com](http://elkayusa.com) for most current version of Elkay product specification sheets.

This specification describes an Elkay product with design, quality and functional benefits to the user. When making a comparison of other producers' offerings, be certain these features are not overlooked.