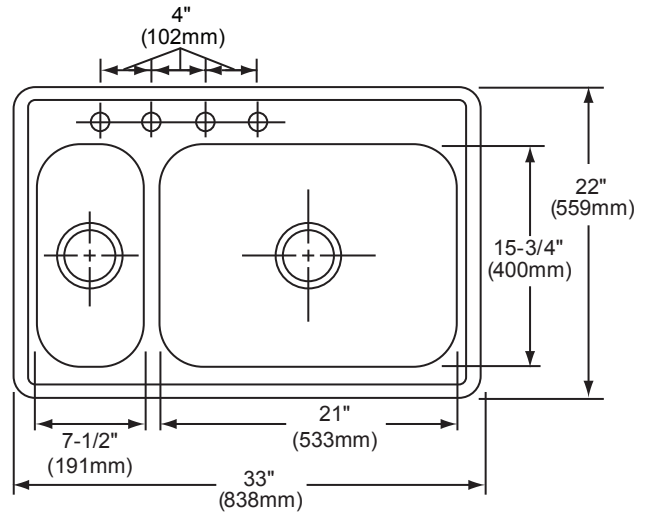


GENERAL FEATURES

- Top mount
- 22 (.8mm) gauge stainless steel
- Durable satin finish
- 5-1/8" (130mm) (small bowl), 7" (178mm) (large bowl) depth
- Overall size: 33" (838mm) x 22" (559mm)
- 3-1/2" (89mm) center drain opening
- Faucet holes (4) 1-1/2" (38mm) diameter
- Cutout dimension: 32-3/8" (822mm) x 21-3/8" (543mm) with 1-1/2" (38mm) radius corners
- Mounting hardware for countertops up to 3/4" (19mm) thick included
- Sound insulation – bottom undercoating
- Minimum cabinet size: 36" (914mm)
- 25 year limited warranty
- Sink complies with ASME A112.19.3-2008 / CSA B45.4-08.



RECOMMENDED ACCESSORIES

Bottom Grid: GBG2115SS (large bowl)

Cutting Board: CB1516 (large bowl)

Drain: D1125, LK35

Faucet Hole Cover: LK125R

