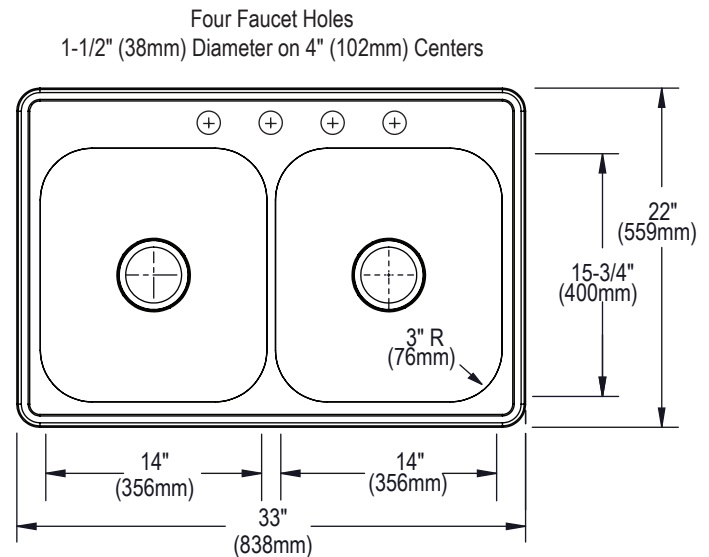


GENERAL FEATURES

- Top mount
- 20 gauge stainless steel
- Satin finish
- 8" (203mm) depth
- Overall size: 33" (838mm) x 22" (559mm)
- 3-1/2" (89mm) center drain opening
- Faucet holes (4) 1-1/2" (38mm) diameter
- Cutout dimension: 32-3/8" (822mm) x 21-3/8" (543mm) with 1-1/2" (38mm) radius corners
- Mounting hardware for countertops up to 3/4" (19mm) thick included
- Sound insulation – spray undercoating on bottom
- Minimum cabinet size: 36" (914mm)
- Limited lifetime warranty
- Sink complies with ASME A112.19.3-2008 / CSA B45.4-08.

**RECOMMENDED ACCESSORIES**

Bottom Grid: LKWBG1415SS, GBG1415SS

Cutting Board: CB1516

Drain: D1125, LK35

Faucet Hole Cover: LK125R

Rinsing Basket: LKW RB1316SS
(LKWUCSS)

