

# aristo™

## SPECIFICATIONS

Model MCCS33224

### Features

- Top Mount
- 20 (.89mm) gauge stainless steel
- Durable Satin Finish
- 8" (203mm) Depth
- Overall Size: 33" x 22" (838mm x 559mm)
- 3-1/2" (89mm) center drain opening
- Faucet holes: (4) 1-1/2" (38mm) diameter
- Cutout Dimensions: 32-3/8" x 21-3/8" (822mm x 543mm) with 1-1/2" (38mm) radius corners.
- Mounting hardware for countertops up to 3/4" (19mm) thick included.
- Sound insulation - spray undercoating on bottom
- Minimum cabinet size: 36" (914mm)
- Limited lifetime warranty

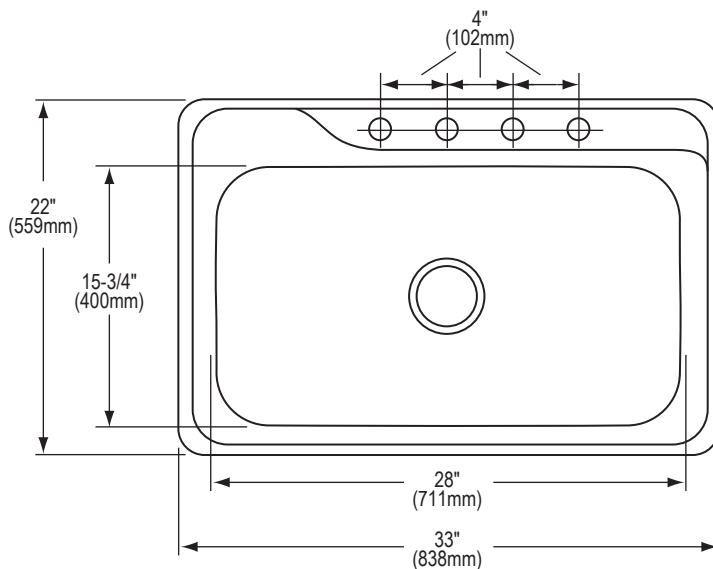
### RECOMMENDED ACCESSORIES

Bottom Grid: NBG1416CR, LKWBG1415SS

Cutting Board: CB1516

Drain: D1125, LK35, LK99

Rinsing Basket: NRB1416CR, LKWRB1316SS, (LKWUCSS)



In keeping with our policy of continuing product improvement, Elkay reserves the right to change product specifications without notice. Please visit [elkayusa.com](http://elkayusa.com) for most current version of Elkay product specification sheets.

This specification describes an Elkay product with design, quality, and functional benefits to the user. When making a comparison of others producers offerings, be certain these features are not overlooked.

**aristo™**

2222 Camden Court  
Oak Brook, IL 60523

Printed in U.S.A.  
©2010 Elkay  
(Rev. 10/10) N-114A