

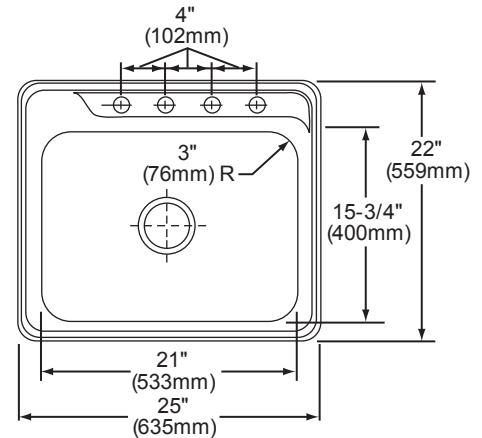
aristo™

SPECIFICATIONS

Model MCC25224

Features

- Top Mount
- 20 (.89mm) gauge stainless steel
- Durable Satin Finish
- 8" (203mm) Depth
- Overall Size: 25" x 22" (635mm x 559mm)
- 3-1/2" (89mm) center drain opening
- Faucet holes: (4) 1-1/2" (38mm) diameter
- Cutout Dimensions: 24-3/8" x 21-3/8" (619mm x 543mm) with 1-1/2" (38mm) radius corners.
- Mounting hardware for countertops up to 3/4" (19mm) thick included.
- Sound insulation - spray undercoating on bottom
- Minimum cabinet size: 30" (762mm)
- Limited lifetime warranty



RECOMMENDED ACCESSORIES

Bottom Grid: LKWBG2115SS

Cutting Board: CB1516

Drains: D1125, LK35, LK99

Rinsing Basket: LKW RB2115SS, (LKWUCSS)

In keeping with our policy of continuing product improvement, Elkay reserves the right to change product specifications without notice. Please visit elkayusa.com for most current version of Elkay product specification sheets.

This specification describes an Elkay product with design, quality, and functional benefits to the user. When making a comparison of others producers offerings, be certain these features are not overlooked.