

Dual Handle Laundry Faucet Models LKDA2480, LKD2490, and LKD2490BH

FEATURES

Model LKD2490

- Two hole deck mount installation
 - Two 1-1/2" (38mm) diameter faucet holes required
 - Maximum countertop thickness 1" (25mm)
- Chrome plated dual lever handle faucet
- 5-1/2 (140mm) tubular 360° swing spout threaded for hose attachment, finished in gleaming chrome plate
- Stainless steel escutcheon
- Removable ceramic disc cartridge
- Ship Wt. 2-3/4 lbs. (1Kg)
- Maximum flow rate
 - 2.5 GPM/9.5 L/min at 80 P.S.I.G.
 - 2.2 GPM/8.3 L/min at 60 P.S.I.G.

Model LKD2490BH

- Same as LKD2437 except with 4" (102mm) blade handles
- Ship Wt. 3-1/2 lbs. (2Kg)

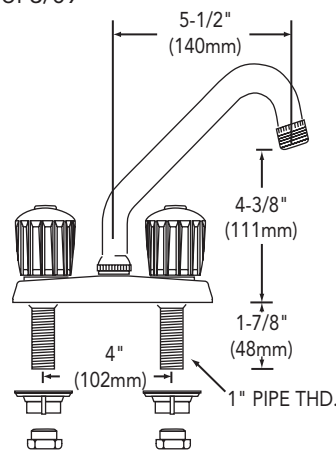
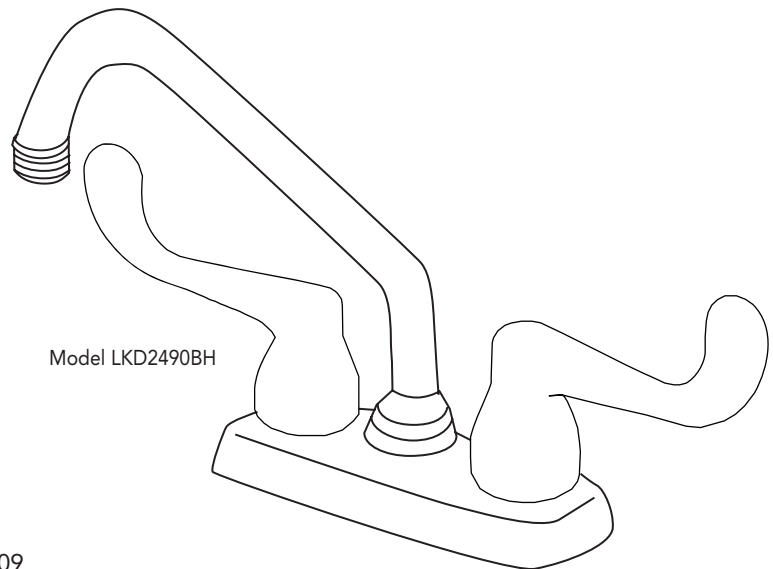
Model LKDA2480 - Unavailable for Purchase as of 3/09

WARRANTY

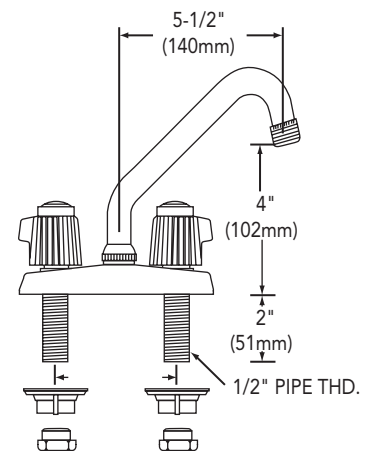
- Limited Lifetime

COMPLIES WITH:

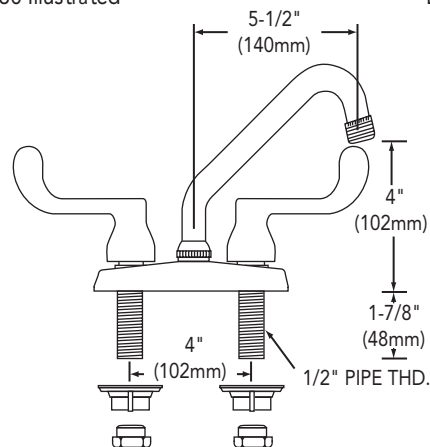
- ADA
 - LKD2490BH model only
- ANSI/NSF61 - Certified
- ASME 112.18.1/CSA B125-01
- CA AB1953/VT S152



LKDA2480 Illustrated



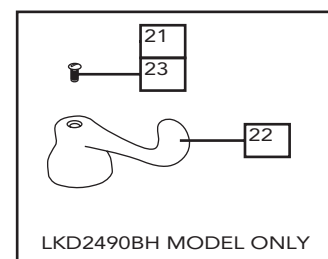
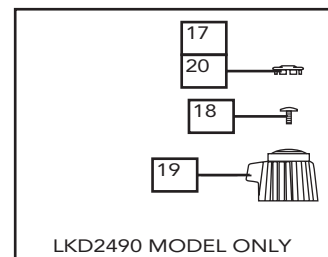
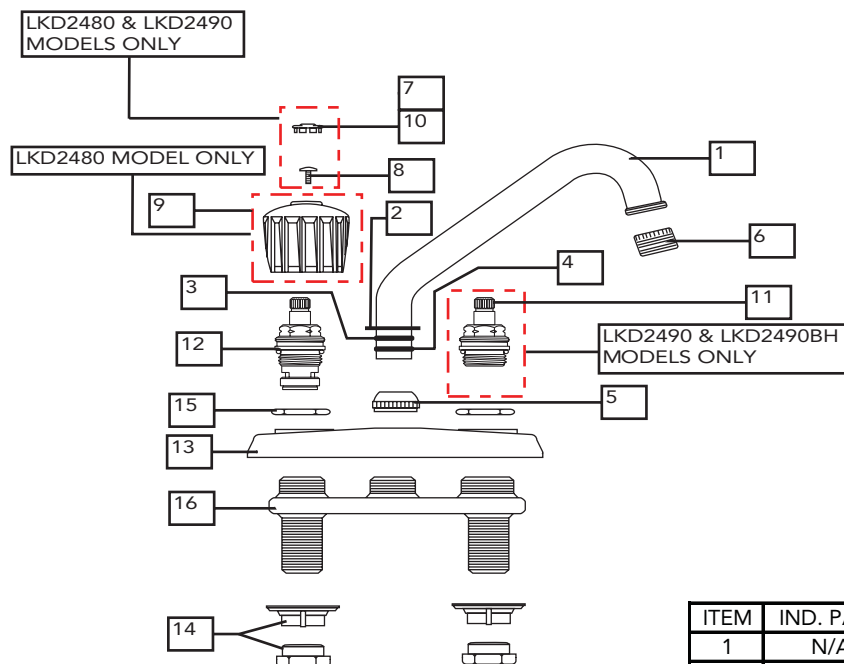
LKD2490 Illustrated



LKD2490BH Illustrated

SEE OTHER SIDE FOR REPLACEMENT PARTS

Dual Handle Laundry Faucet Models LKDA2480, LKD2490, and LKD2490BH



ITEM	IND. PART	KIT PART	DESCRIPTION
1	N/A	A51147R	SPOUT ASSEMBLY
2	N/A		
3	N/A		
4	N/A		
5	N/A		
6	P46048	A72280R	RH SM HANDLE ASSEMBLY
7	P35196		
8	P36133		
8	P36133	A72281R	LH SM HANDLE ASSEMBLY
9	P01264		
10	P35197		
11	P29121NL	N/A	RH CARTRIDGE
12	P29122NL	N/A	LH CARTRIDGE
13	P02105	N/A	ESCUTCHEON
14	P35104	N/A	MOUNTING HARDWARE
15	P02163	N/A	ESCUTCHEON, HANDLE
16	P47029	N/A	FAUCET BODY
17	P35196	A52056R	RH CR HANDLE ASSEMBLY
18	P36133		
19	P01263		
18	P36133	A52025R	LH CR HANDLE ASSEMBLY
19	P01263		
20	P35197		
21	P36115	A55180R	RH BH HANDLE ASSEMBLY
22	P01241		
22	P01241	A55179R	LH BH HANDLE ASSEMBLY
23	P36114		

*Parts ending in NL effective 10/1/2009. Prior to 10/1/2009 order part less NL suffix.