

**Arezzo® Single Handle Kitchen Faucet
Model LK7422****FEATURES**

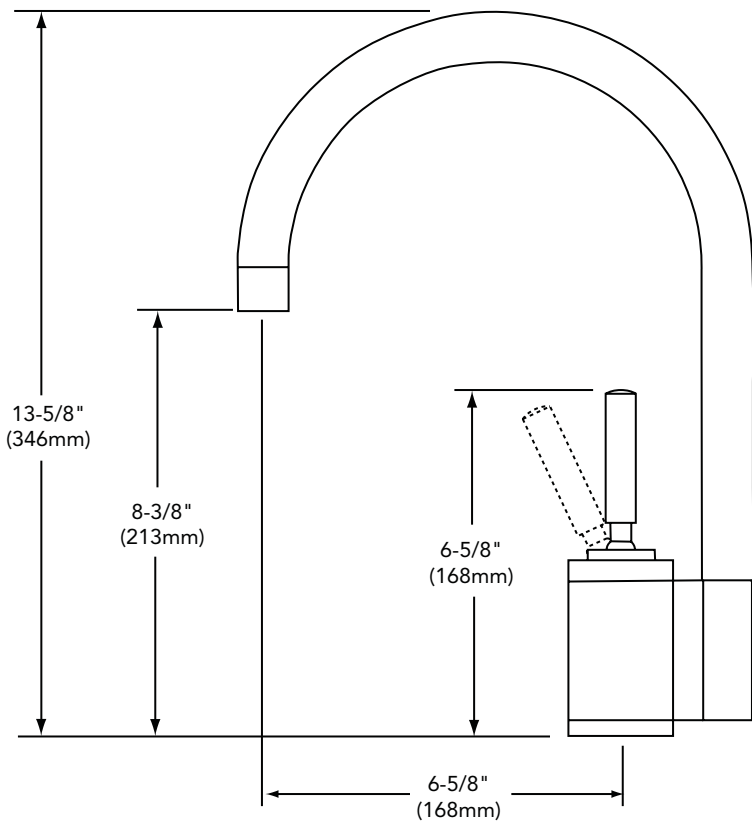
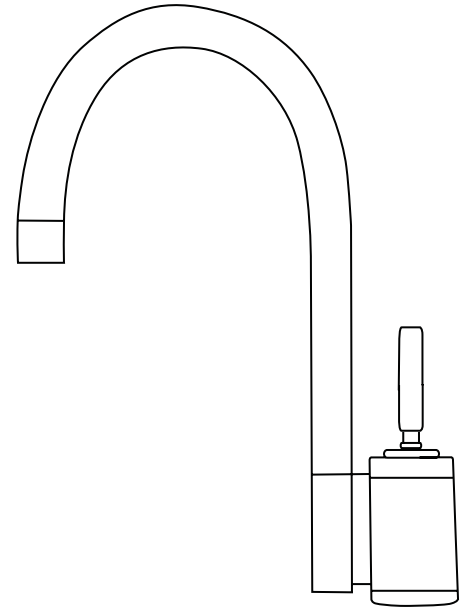
- One hole single lever top mount faucet
 - 1-1/2" (38mm) diameter faucet hole required
 - Maximum countertop thickness 1-1/2" (38mm)
- Single lever faucet with solid brass construction
- 360° swing spout and base
- Removable ceramic disc cartridge
- Flexible braided stainless steel supply tubes with 1/2" (13mm) male I.P.S. adapters.
- Available in the following finishes:
 - Chrome LK7422CR
 - Brushed nickel LK7422NK
 - Brushed chrome LK7422BC
- Maximum flow rate
 - 2.5 GPM/9.5 L/min at 80 P.S.I.G.
 - 2.2 GPM/8.3 L/min at 60 P.S.I.G.
- Ship Wt. 5.5 lbs. (2.5Kg)
- Due to the weight of this faucet, Elkay recommends that it be installed to an 18" (1.2mm) gauge stainless steel sink (or heavier) or to a solid surface countertop

WARRANTY

- Limited Lifetime

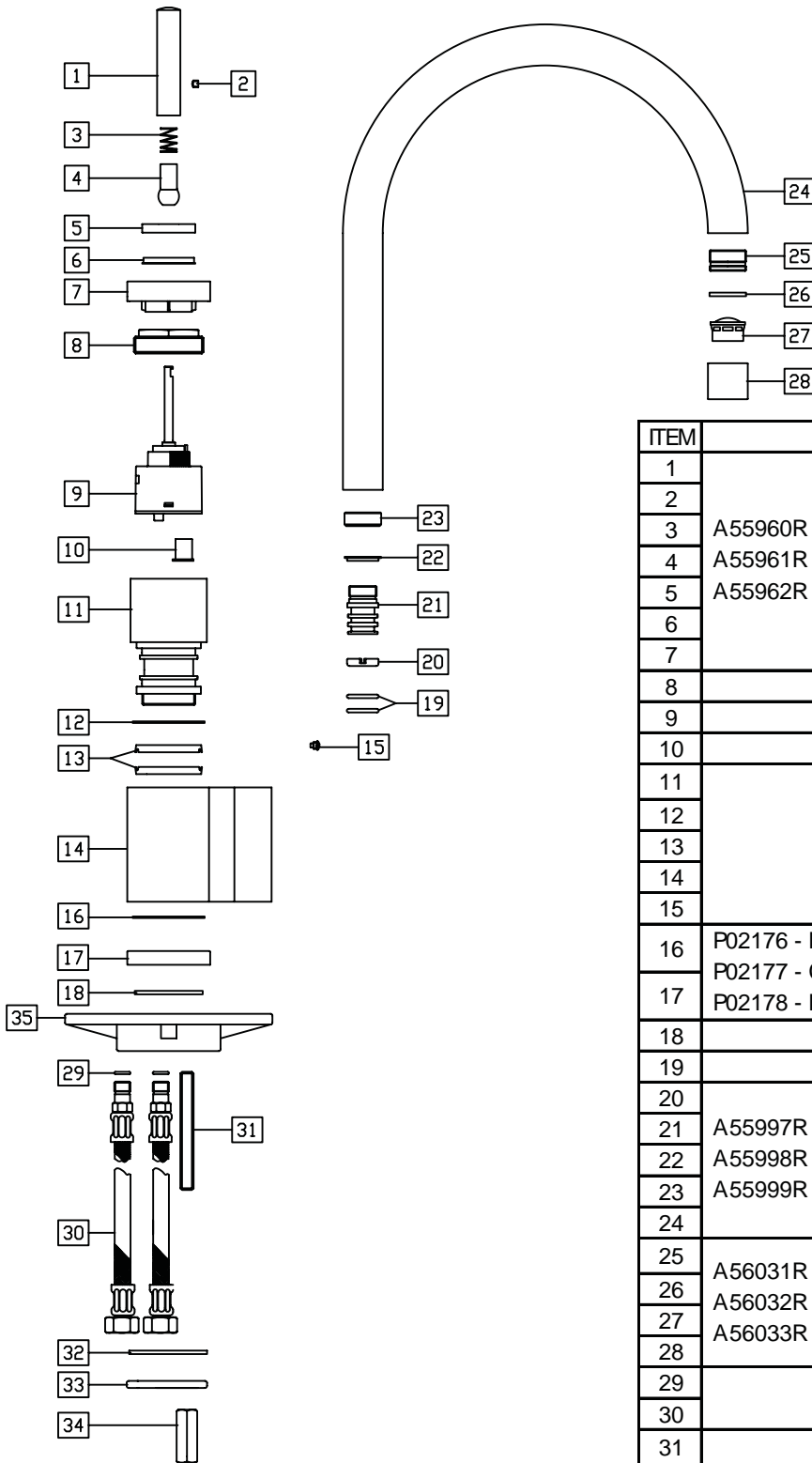
COMPLIES WITH:

- ADA
- ANSI/NSF61-CERTIFIED
- ASME A112.18.1-05/CSA B125.1-2005-CERTIFIED
- CA AB1953/VT S152
- cUPC-CERTIFIED
- UPC-CERTIFIED



SEE OTHER SIDE FOR REPLACEMENT PARTS

Arezzo® Single Handle Kitchen Faucet Model LK7422



ITEM	PART	DESCRIPTION	
1			
2			
3	A55960R - CHROME	LEVER HANDLE ASSEMBLY	
4	A55961R - BRUSHED NICKEL		
5	A55962R - BRUSHED CHROME		
6			
7			
8	P29241		CARTRIDGE NUT
9	A56103R		CARTRIDGE
10	A56117R	GREEN WASHER	
11		N/A	
12			
13			
14			
15			
16	P02176 - BRUSHED CHROME P02177 - CHROME P02178 - BRUSHED NICKEL	ESCUTCHEON	
17			
18	A56025R	HARDWARE	
19	A56116R	O-RING (PAIR)	
20		SPOUT ASSEMBLY (ALSO INCLUDES SPOUT ASSEMBLY)	
21	A55997R - CHROME		
22	A55998R - BRUSHED NICKEL		
23	A55999R - BRUSHED CHROME		
24		AERATOR ASSEMBLY	
25	A56031R - CHROME		
26	A56032R - BRUSHED NICKEL		
27	A56033R - BRUSHED CHROME		
28			
29	A56095R	SUPPLY HOSES (1 PAIR, 1 RED & 1 BLUE)	
30			
31		HARDWARE	
32	A56025R		
33			
34			
35	P35260	FLANGE	