

STEP 3: Capture the Details

Please use the check list below as a tool to record your desired bath selections. Your Sales Associate can review your selections in further detail with you during your next appointment. Don't forget to include fillers for cabinetry that will be installed next to walls. Pages referenced below pertain to the Yorktowne Bath Décor color brochure.

Style Selections

- Manor Collection (pages 4 – 5)
- Manhattan Collection (pages 6 – 7)
- Charleston Collection (pages 8 – 9)

Door Style: _____ (page 10)

- Maple
- Cherry

Finish Color: _____ (page 11)

- Standard
- Glaze/Paint

Accessory Selections

- Interior Accessories (pages 12 – 13)
 - Door Mounted Towel Bar
 - Door Mounted Bathroom Tissue Holder
 - Door Mounted Styling Center
 - Drawer Organizers

- Decorative Hardware (page 15)
 - Knobs _____
 - Pulls _____

Additional Notes

YORKTOWNE
CABINETRY

100 REDCO AVENUE • RED LION, PA 17356 • (800) 777-0065
yorktownecabinetry.com

Cabinetry Selections

- Mini Vanity Base Cabinet with Wood Top _____
- Single Sink Base Cabinet _____
- Double Sink Base Cabinet _____
- Counter Wall Cabinet _____
 - with Crown Molding _____
- Wall Cabinet with Full-Height Doors _____
 - with Crown Molding _____
 - with Bottom Panel _____
- Wall Cabinet with Lower Display Area _____
 - with Crown Molding _____
 - with Bottom Panel _____
- Medicine Cabinet with Solid Door _____
 - with Crown Molding _____
 - with Bottom Panel _____
- Medicine Cabinet with Mirror in Door _____
 - with Crown Molding _____
 - with Bottom Panel _____
- Linen Cabinet _____
 - with Crown Molding _____
- Boxed Mirror (3" deep) _____
 - with Crown Molding _____
 - with Bottom Panel _____
- Framed Mirror (flush to wall) _____
 - with Crown Molding _____
 - with Bottom Panel _____
- Custom Mirror Molding _____
- Fillers _____
 - Wall
 - Base
 - Linen

GUIDE TO PLANNING

Bath Décor

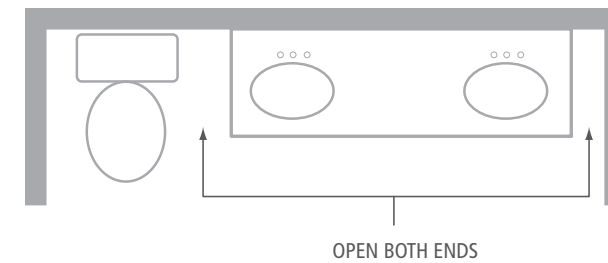
STEP 1: Define Your Space

Determine Your Application

There are three basic types of installations, shown below. Review and check the application that best matches your plan.

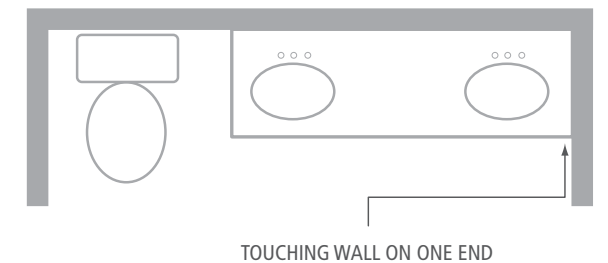
Freestanding Cabinet Application: Cabinet does not touch the wall on either end, only the back side of the cabinet is against the wall. See example below.

Plan 1

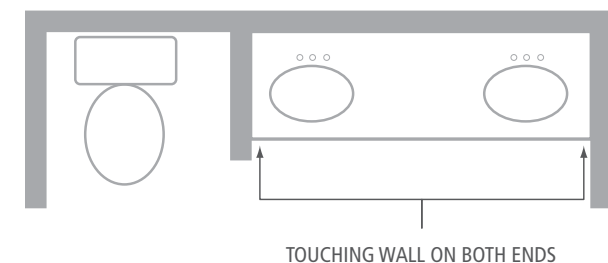


Built-In Cabinet Applications: Cabinet touches the wall on one or both ends and the back side. See examples below.

Plan 2



Plan 3



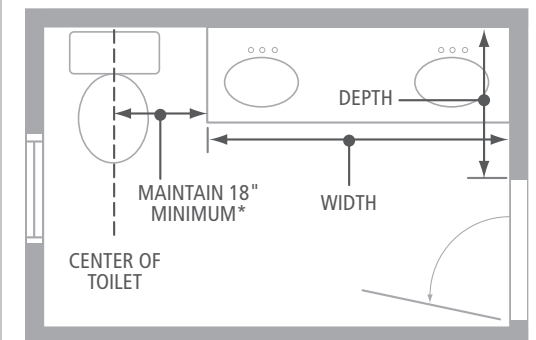
Measure Your Space

There are many items to consider when defining your space. The most important are the measurements of the space. Be sure to make note of potential obstacles and consider that the height or depth of your new cabinetry may be different than your existing cabinetry. See example plans below.

Include the following measurements:

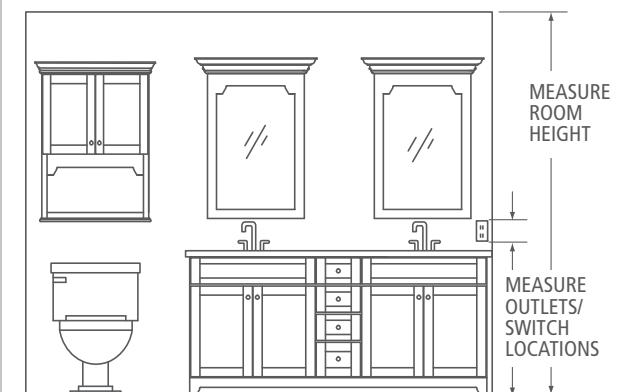
- Width of Space
- Height of Space
- Depth of Space
- Door and Window Locations
- Plumbing Location
- Electrical Locations

Sample Measure Guide – Plan View



*Measure a minimum of 18" from center of toilet and mark this location. 18" is based on typical building code compliance; consult your local code specifications for compliance.

Sample Measure Guide – Elevation View

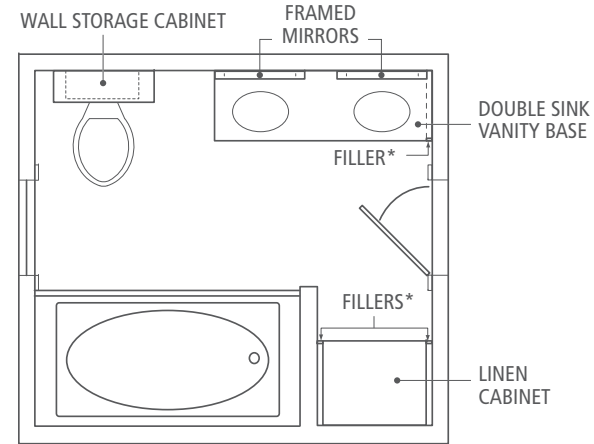


STEP 2: Plan Your Space

Use the grids below to draw your bathroom plan. Remember to mark locations of doors, windows, plumbing, electrical outlets, etc. For accurate width dimensions for your bathroom, begin measuring from a corner about three to four feet off the floor. Measure to the first opening or obstruction, note this measurement and then continue measuring around the room.

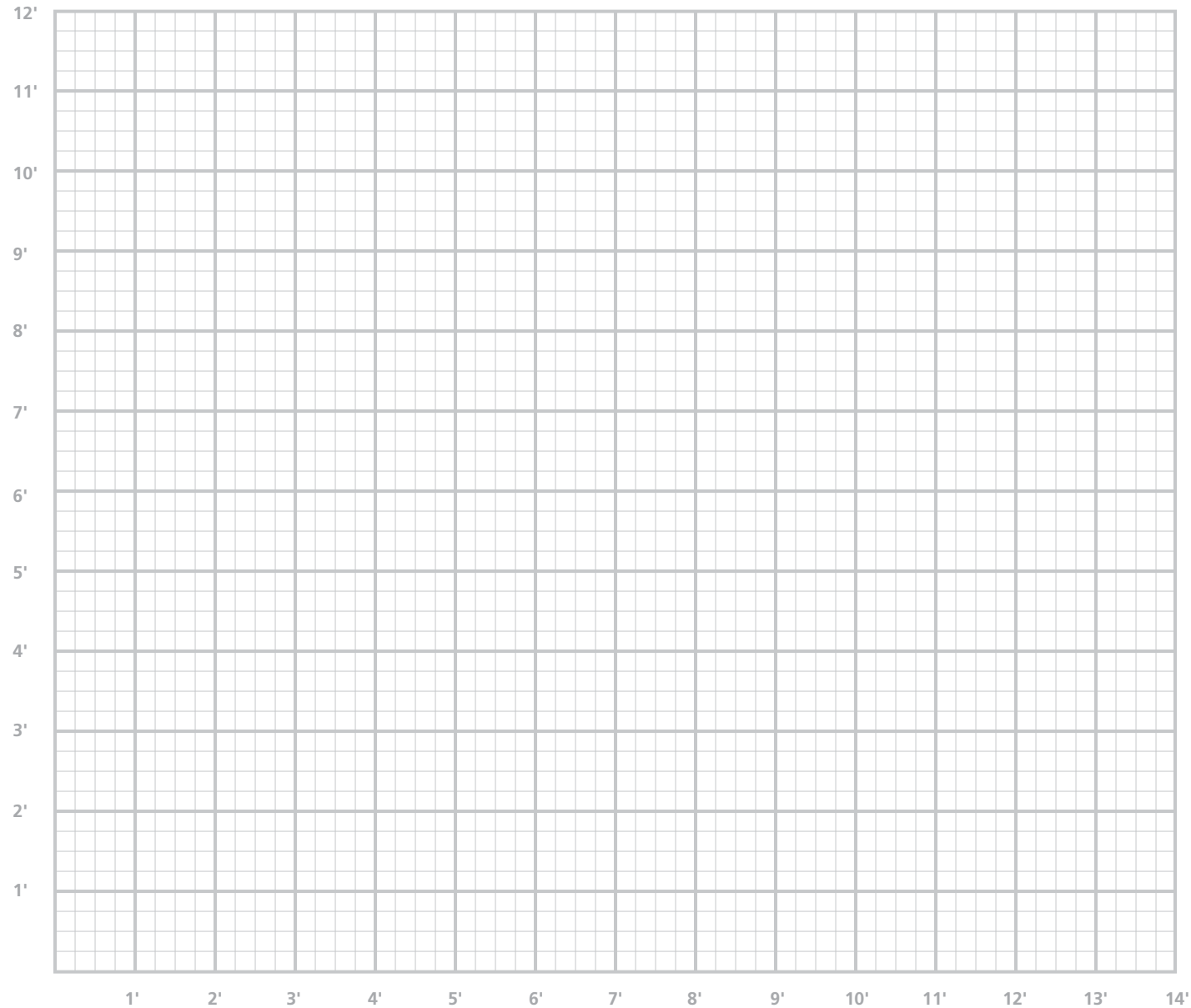
Scale:
 Large Squares = 12" (1 foot)
 Small Squares = 3"

Sample Floor Plan Drawing



*When cabinets are placed next to walls, a filler must be used to prevent the doors and drawers from scraping against the wall and/or trim.

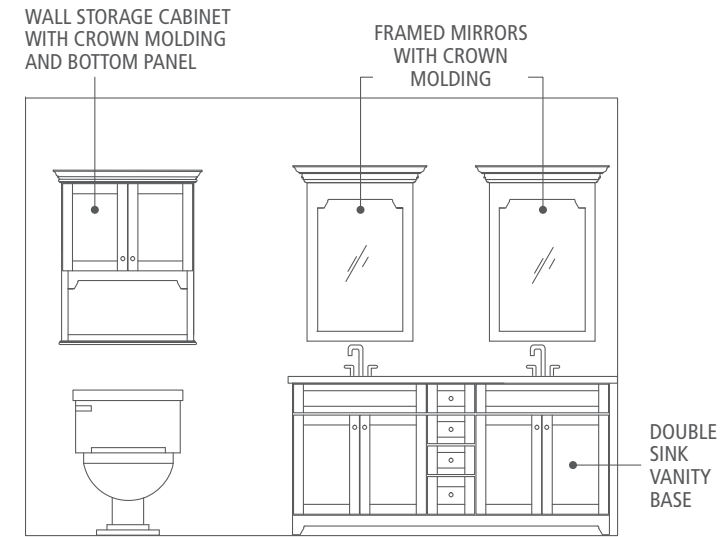
Floor Plan Grid



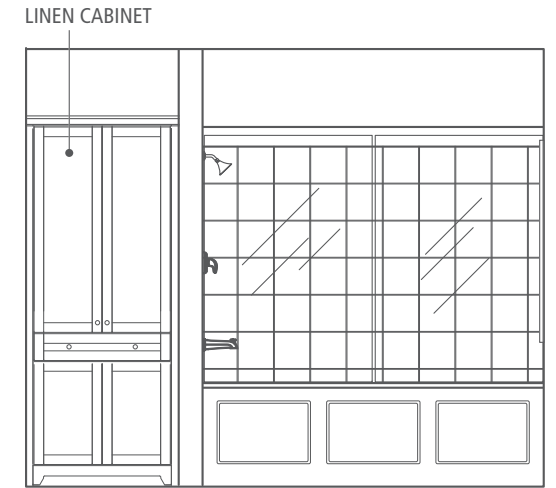
Sample Vertical Elevation Plan Drawings

REMEMBER to allow additional height and width for crown molding or bottom molding.

Sink Wall Elevation



Tub Wall Elevation



Elevation Plan Grid

