

Elite Gourmet™ by Elkay
Faucets: LK530 without spray and
LK531 with spray (less spout)



SPECIFICATIONS

GENERAL

LK530 Dual handle. Faucet body only, less spout. Finished in heavy chrome plate. Removable cartridges. 1/2" I.P. connections on 8" centers. Requires three faucet holes. For deck mount installations only.

LK530D Same as above except the handle screws and cartridge nuts are finished in gold plate.

LK531 Dual handle faucet body only, less spout. Finished in heavy chrome plate. Removable cartridges. 1/2" I.P. connections on 8" centers. Requires four faucet holes. For deck mount installations only. Includes spray.

LK531D Same as above except the handle screws and cartridge nuts are finished in gold plate.

See specification sheet EG-6 for spout selection.

MAXIMUM FLOW RATE

2.2 GPM/8.3 L/min at 60 PSIG



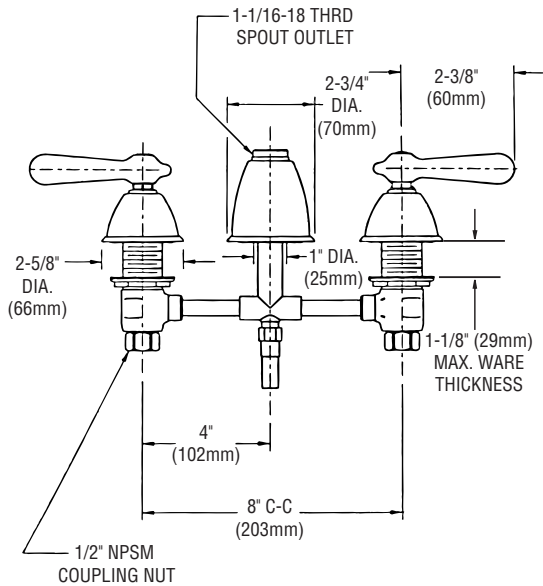
These faucets are ADA compliant.



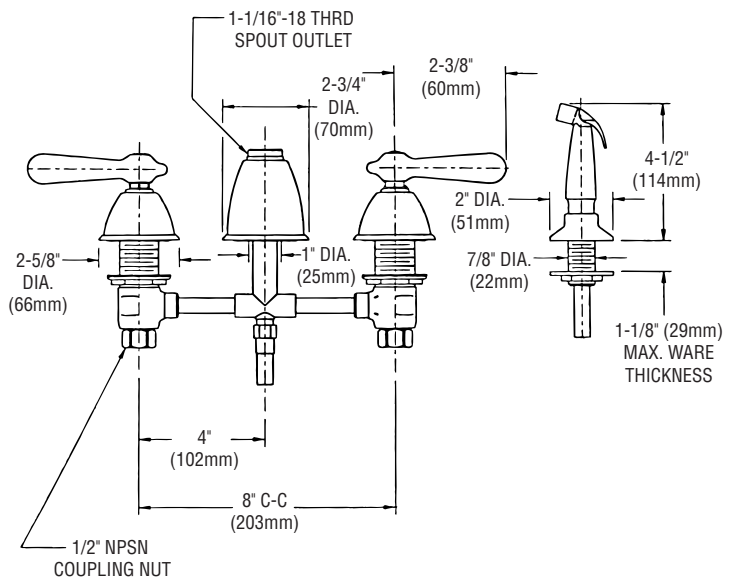
These faucets are classified by Underwriters Laboratory, Inc. to **ANSI/NSF 61, Section 9** for residential use.

ILLUSTRATIONS

Faucets



LK530(D) less spray



LK531(D) with spray