

Installation Instructions

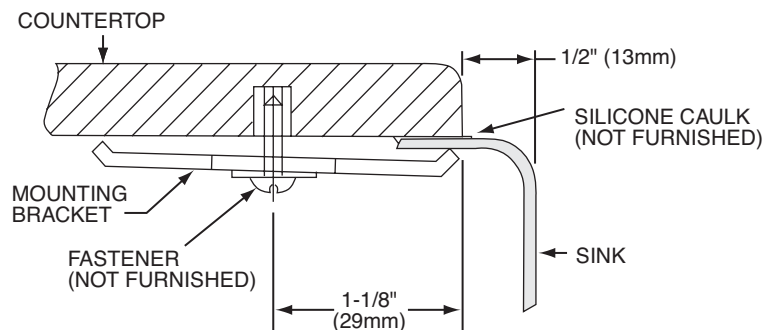
Design Inspirations by Elkay

Universal Mount Sinks

Sink can be installed as either undermount or top mount applications. For undermount applications, install sink following undermount instructions. For top mount applications, installation sink following top mount instructions.

NOTE: The template included for universal mount sinks is for undermount installations only. Do not use the template for top mount installations.

I. Undermount Installation



ATTENTION INSTALLER:

- 1) Elkay recommends that undermount sinks should be installed by a professional experienced installer.
- 2) **WARNING:** The enclosed cutout template will create a countertop opening that will expose approximately 1/2" (13mm) of sink rim ledge. It is recommended that you discuss this with your customer and agree that this finished appearance is the desired effect. Elkay is not responsible for improper sink or countertop installations. Due to the aesthetic qualities of the converging bowl radii, the template furnished with each sink provides the only opening recommended for installation of Elkay undermount sinks. See illustration above.
- 3) Elkay undermount sinks should only be fastened to a solid surface countertop (i.e. granite/Corian®/Silestone®).
- 4) Elkay is not responsible for sink or countertop if damaged during installation.
- 5) Metal edges may be sharp – use caution when handling.
- 6) Follow all local plumbing and building codes.
- 7) Inspect sink for damage prior to beginning installation.

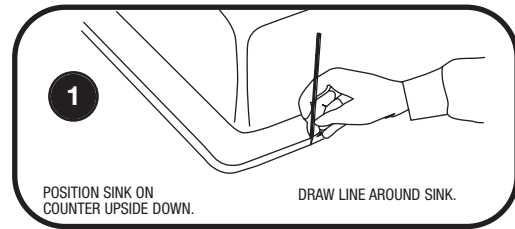
INSTALLING SINK

1. Position template on countertop. Locate the template front to rear, so that sink will not interfere with the cabinet.
2. Trace a line around the template. Cut along the inside of this line to provide opening. This size opening will provide approximately a 1/2" (13mm) reveal. (Please see item #2 under Attention Installer.)
3. Locate and drill the mounting holes (following the countertop manufacturer's instructions) as shown above. Holes should allow even spacing of mounting brackets around the sink. Type of fasteners to be as recommended by countertop supplier.
4. Fasten mounting brackets to countertop loosely.
5. Using a good quality silicone caulk, apply a bead evenly all around the top of the sink flanges.
6. Position and align sink over the countertop opening. Press silicone onto countertop.
7. Tighten fasteners until mounting brackets are snug against sink.
8. Check alignment of sink to countertop opening.
9. Tighten down fasteners evenly. Be careful not to over-tighten. Remove excess silicone.

II. Top Mount Installation

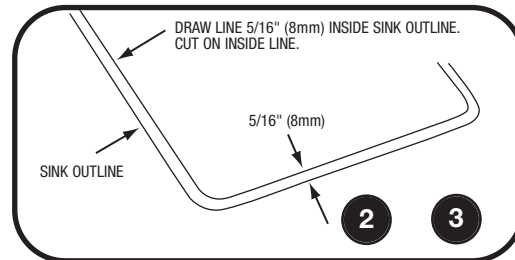
STEP ONE

Place sink upside down on countertop surface. Place sink in exact position for installation and pencil completely around sink to create a sink outline.



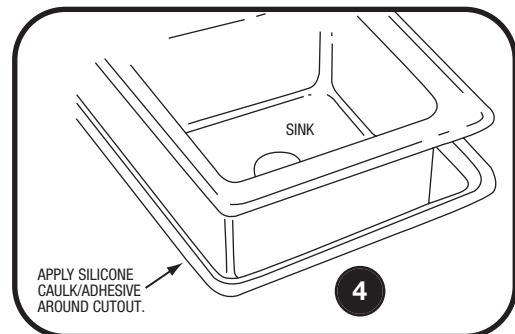
STEP TWO

Scribe actual opening 5/16" (8mm) inside the sink outline, all the way around.



STEP THREE

Cut out on inside of this line (following the manufacturer's instructions). If sink comes with a faucet deck, install faucet to sink and tighten.

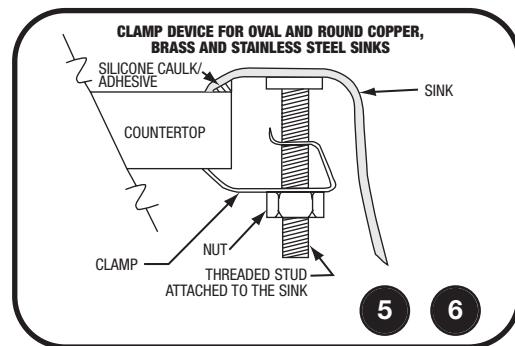


STEP FOUR

Apply a high quality silicone caulk/adhesive around entire perimeter of opening. Set sink into opening.

STEP FIVE

From the underside of sink, place clamp on threaded stud and hand tighten nut. Fasten balance of clamps in position and hand tighten.



STEP SIX

From the top side, check seal between rim and countertop. Tighten as needed with nut driver or socket wrench. **Caution:** Do not over tighten clamps.

Design Inspirations Use and Care Guide

Water Spotting

The quality of your water can affect your sink's appearance. In areas with hard water or high iron content, a brown surface stain can form on the sink. Additionally, in areas with a high concentration of minerals, or with over-softened water, a white film may develop on the sink. To combat this problem, we suggest that you ***rinse your sink thoroughly and towel dry*** it after each use.

Liquid Soap

Do not allow concentrated liquid detergent to dry on your sink. Most brands contain chemical additives that will affect the finish.

Chlorides

Today, chlorides are found in mostly all soaps, detergents, bleaches and cleansers. Chlorides are especially not friendly to the stainless steel surface. They should not come in contact with the surface of the sink for extended periods. When these chemicals are used in your sink, it should be thoroughly rinsed.

Foods

Foods containing salt, or are acidic in nature, can cause pitting and corrosion. Avoid prolonged exposure and do not allow them to dry onto the sink surface. ***Rinse your sink thoroughly and towel dry*** after each use.

Easy Care and Cleaning Instructions

Your Design Inspirations stainless steel sink will retain its original appearance if, after each use, the sink is rinsed thoroughly and towel dried. Never use abrasive cleansers or steel wool.

Installation Instructions

ELKAY DESIGN INSPIRATIONS WARRANTY

Elkay warrants to the original purchaser of an Elkay Design Inspirations stainless steel sink that Elkay will, at its option, replace or repair, without charge, such product if it fails due to a manufacturing defect for a lifetime of normal residential use. Product replacement does not include transportation cost or labor installation cost. This warranty covers only stainless steel self-rimming drop-in sinks installed in a conventional countertop surface and stainless steel undermount sinks installed in a conventional solid surface countertop and applies to residential installations only. Elkay reserves the right to examine product in question and its installation prior to replacement.

WASTE FITTINGS AND ACCESSORIES ARE NOT WARRANTED

OTHER WARRANTY CONDITIONS ON SINKS

This warranty applies to sinks purchased after March 1st 2001 as shown on the purchaser's dated receipt. For sinks purchased prior to March 1st 2001, the applicable warranty at that time will be in effect. Our warranty does not cover product failure or damage caused by the use of optional Elkay accessories, abusive treatment, misuse, environmental factors, normal wear including dents and scratches, improper care and cleaning, use of aggressive and abrasive cleaners, damage due to handling or failure to follow the recommended procedures for installation, care and maintenance as detailed in the installation and care guide provided with every sink. This warranty is extended only to the original consumer purchaser of the product. This warranty does not cover shipping costs, labor costs, or any other charges for such items as installation or replacement of the sink, diagnosis or replacement of any faucet or component part, or any other expense or loss.

All incidental or consequential damages are specifically excluded. No additional warranties, express or implied are given, including but not limited to, any implied warranty of merchantability or fitness for a particular purpose.

Some states do not allow the exclusion or limitation of incidental or consequential damages or limitations on how long an implied warranty lasts, so the above limitations or exclusions may not apply to you.

This warranty gives you specific legal rights, and you may also have other rights which vary from state to state.

TO OBTAIN SERVICE UNDER WARRANTY

1. Write to: Elkay Manufacturing Company
Attention: Consumer Services
2222 Camden Court
Oak Brook, IL 60523
2. Include a letter containing the following information:
 - a. Date of purchase and installation
 - b. Proof of Purchase (copy of original dated invoice)
 - c. Description of nature of defect
 - d. Model number or description of model and/or component part if possible.