

Installation Instructions

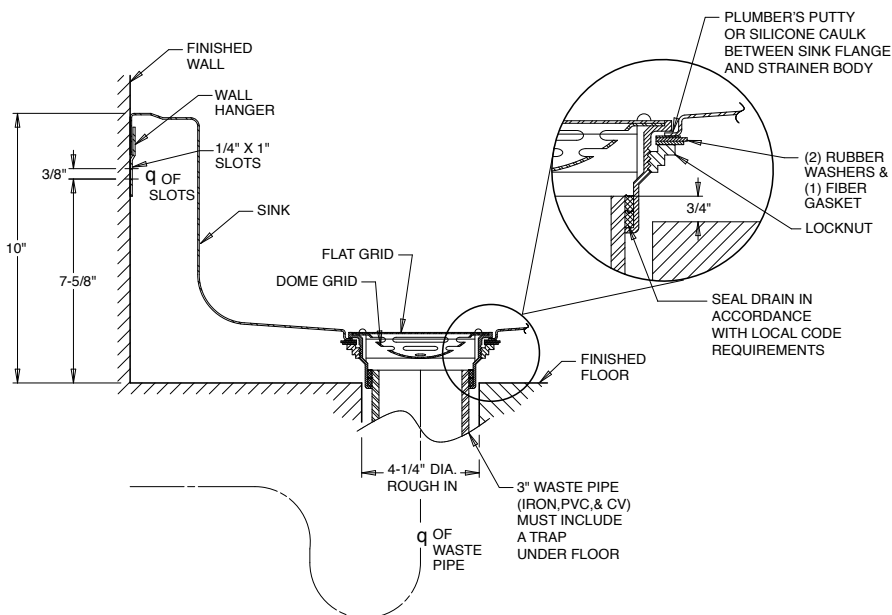
Floor Service Sink Installation

ATTENTION INSTALLER:

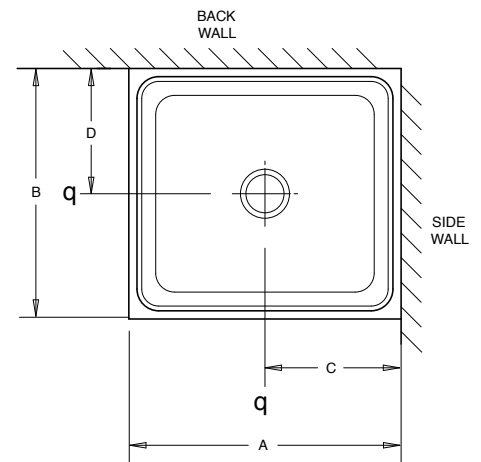
- 1) ELKAY RECOMMENDS THAT FLOOR SERVICE SINKS SHOULD BE INSTALLED BY A PROFESSIONAL EXPERIENCED INSTALLER.
- 2) ELKAY IS NOT RESPONSIBLE FOR SINK FOR SINK IF DAMAGED DURING INSTALLATION.
- 3) INSPECT SINK FOR DAMAGE PRIOR TO BEGINNING INSTALLATION.
- 4) METAL EDGES MAY BE SHARP – USE CAUTION WHEN HANDLING.
- 5) FOLLOW ALL LOCAL PLUMBING AND BUILDING CODES.

INSTALLING SINK

- 1) Provide a 4-1/4" diameter hole in the floor as shown per the rough in dimension based on the sink model.
- 2) The waste pipe should be centered in the center of the drain hole in the sink and project 3/4" above the floor. The installation must include a "trap" under the floor.
- 3) Mount the wall hanger to the wall in the required position. Anchors and fasteners supplied by others.
- 4) Install the strainer to the sink using plumbers putty or silicone caulk.
- 5) Place the sink into position over the waste pipe, making sure the rear rim engages the wall hanger.
- 6) Remove the grids from the strainer.
- 7) Seal drain in compliance with local code requirements.
- 8) Reattach the grids to the strainer body.



DRAIN ROUGH-IN DIMENSIONS



MODEL	A	B	C	D
XXX2523	25"	23"	12-1/2"	11-1/2"
XXX3321	33"	21"	16-1/2"	10-1/2"

Use and Care Hints

Satin Finish

Regular cleaning is important to maintain the appearance of your Elkay sink.

Easy Cleaning Instructions

Rinsing is the most important part of sink care. An Elkay stainless steel sink finish will retain its original bright appearance if the sink is **rinsed** thoroughly after each use. "Thorough" rinsing can be done by running the water throughout the sink for a few minutes after each use. Typically, a rinse and towel drying after each use takes care of most everyday clean ups. For everyday cleaning we recommend using Elkay's Stainless Butler Stainless Steel Cleaner + Polisher. The non-abrasive formula is safe and effective for day to day cleaning. Your sink will shine like new!

Recommendations for Proper Maintenance

- **Do...** Use only a mild liquid dishwashing detergent with a soft sponge to clean and then thoroughly rinse the sink.
- **Do...** Rinse thoroughly after each use. "Thorough" rinsing can be done by running water for a few minutes and rubbing the cleaned area with a sponge.
- **Do...** Towel dry after each use to prevent mineral deposits from building up on the surface of the sink.
- **Do Not...** Allow liquid soap or other household cleansers to dry on the surface of the sink. Most brands contain chemical additives which will affect the original finish.
- **Do Not...** Use solutions of chlorine bleach and water in the sink. Chlorides, which are found in most soaps, detergents, bleaches, and cleansers, are very aggressive to stainless steel. If left on the sink too long they can cause surface pitting.
- **Do Not...** Use a steel wool pad to clean your sink. Steel wool pads have a tendency to break apart and small particles of steel can become embedded in the surface of the sink. The steel particles will rust and will give the appearance that the sink itself is rusting.
- **Do Not...** Use abrasive cleansers or abrasive pads as it will scratch the surface.
- **Do Not...** Leave wet sponges, cloths, or cleaning pads on the sink. This can lead to surface rust.

Following these recommendations for the care and cleaning of your stainless steel sink will insure that it will provide you with many years of service.

Chlorides

Today, chlorides are found in most all soap, detergents, bleaches and cleansers; chlorides can be oppressive to stainless steel. However, chlorides are very water soluble. Therefore, **THOROUGH RINSING** of your sink after each use to remove any chloride residue and a weekly scouring is all that is required to keep your sink looking bright and shiny.

Water Quality

The quality of your water can affect your sink's appearance. If your water has a high iron content, a brown surface stain can form on the sink giving the appearance of rust. Additionally, in areas with a high concentration of minerals, or with over-softened water, a white film may develop on the sink. To combat these problems, we suggest that the sink be towel dried after use.

Discoloration, Rust and Possible Pitting

Wet sponges, cloths, cleaning pads and rubber mats left on the sink can lead to discoloration. Steel wool pads should never be used to clean your sink as they leave small iron particles in the grain lines which rust and can damage the sink. Continued usage in this manner may eventually lead to the sink itself rusting and pitting.

Liquid Soap

Do not allow concentrated liquid detergent to dry on your sink. Most brands contain chemical additives which will affect the original finish.

Spotting

The quality of your water can affect your sink's appearance. In areas with hard water, a brown surface stain can form on the sink giving the appearance of rust. This phenomena also occurs in water with high iron content. Additionally, in areas with a high concentration of minerals, or with over-softened water, a white film may develop on the sink. To combat this problem, we suggest that the sink be towel dried after use.

Foods

Heavy salt concentration or foods containing high levels of salt should not be allowed to dry onto the sink surface. Rinse your sink thoroughly after use.

ELKAY LIMITED LIFETIME SINK WARRANTY

Elkay warrants to the original purchaser of an Elkay stainless steel sink that Elkay will, at its option, replace or repair, without charge, such product if it fails due to a manufacturing defect for a lifetime of normal residential use. Product replacement does not include transportation cost or labor installation cost. This warranty covers only stainless steel self-rimming drop-in sinks installed in a conventional countertop surface and stainless steel undermount sinks installed in a conventional solid surface countertop and applies to residential installations only. Elkay reserves the right to examine product in question and its installation prior to replacement.

WASTE FITTINGS AND ACCESSORIES ARE NOT WARRANTED

OTHER WARRANTY CONDITIONS ON SINKS

This warranty applies to sinks purchased after March 1st 2001 as shown on the purchaser's dated receipt. For sinks purchased prior to March 1st 2001, the applicable warranty at that time will be in effect. Our warranty does not cover product failure or damage caused by the use of optional Elkay accessories, abusive treatment, misuse, environmental factors, normal wear including dents and scratches, improper care and cleaning, use of aggressive and abrasive cleaners, damage due to handling or failure to follow the recommended procedures for installation, care and maintenance as detailed in the installation and care guide provided with every sink. This warranty is extended only to the original consumer purchaser of the product. This warranty does not cover shipping costs, labor costs, or any other charges for such items as installation or replacement of the sink, diagnosis or replacement of any faucet or component part, or any other expense or loss.

All incidental or consequential damages are specifically excluded. No additional warranties, express or implied are given, including but not limited to, any implied warranty of merchantability or fitness for a particular purpose.

Some states do not allow the exclusion or limitation of incidental or consequential damages or limitations on how long an implied warranty lasts, so the above limitations or exclusions may not apply to you.

This warranty gives you specific legal rights, and you may also have other rights which vary from state to state.

TO OBTAIN SERVICE UNDER WARRANTY

1. Write to: Elkay Manufacturing Company
Attention: Consumer Services
2222 Camden Court
Oak Brook, IL 60523
2. Include a letter containing the following information:
 - a. Date of purchase and installation
 - b. Proof of Purchase (copy of original dated invoice)
 - c. Description of nature of defect
 - d. Model number or description of model and/or component part if possible.