

ELKAY® SPECIFICATIONS

Electronic Lavatory Faucet Model LK737B

GENERAL FEATURES

Sensor activated, battery powered, electronic, chrome plated 4" center-set cast brass, hand washing faucet with the following features:

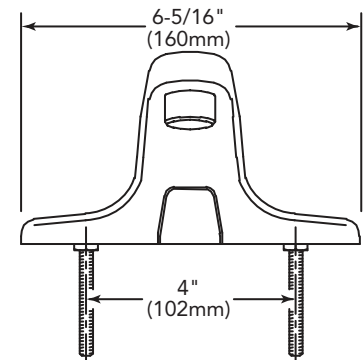
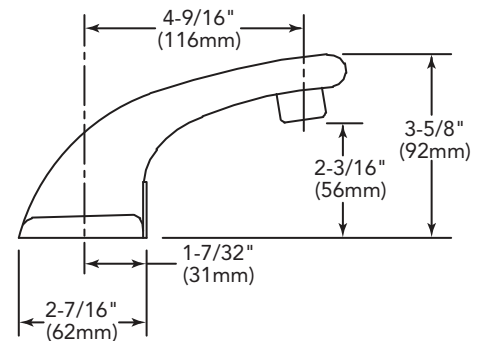
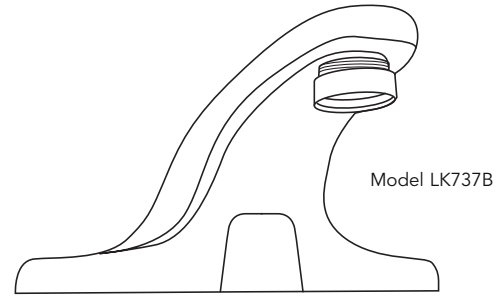
- For pre-tempered or hot and cold operation
- Splash-proof circuit control module
- Sensor range adjustment screw
- Low battery LED indicator light
- User friendly variable time out settings
- Serviceable filtered solenoid valve
- Bak-Chek® Tee for hot/cold supply
- Vandal resistant spray head with pressure compensating flow control
- Metal jacketed wire protection for sensor lead
- Includes four (4) AA-size alkaline batteries
- Limited 5 year warranty
- Appropriate mounting hardware included
- Flow rate: .5 GPM/1.9 LPM vandal resistant spray head

ELECTRICAL SPECIFICATIONS

- Control circuit: 6 VDC - operates on four (4) alkaline AA-size batteries. Optional 6 VDC plug-in transformer.
- Battery life: 2 years at 8,000 cycles/month
- Indicator lights: range adjustment/low battery
- Solenoid valve: Filtered solenoid valve with serviceable strainer filter
- Sensor range: Factory set - 4" (102mm) - 5" (127mm); Adjustable - 2" (51mm) - 7" (178mm)
- Time out adjustment settings: 30 seconds. The faucet time out setting determines the maximum time the faucet will run upon continuous activation. Unless otherwise specified the LK737B is factory set at the 30 second time out.
- Max. distance control module may be installed from spout: 15" (305mm)

CODES/STANDARDS

- ASME A112.18.1 and CSA B125.1
- ADA compliant
- IAPMO
- cUPC
- cUL Listed



SEE OTHER PAGES FOR OPERATION, ROUGH-IN AND REPLACEMENT PARTS INFORMATION

ELKAY LIMITED FIVE YEAR FAUCET WARRANTY ON COMMERCIAL FAUCETS

Limited Five Year Functional and Finish Warranty

Elkay warrants to the original consumer purchaser that the Elkay faucet will be free from defects in material and workmanship for Five Years from the original installation date. Elkay will, at its option, supply replacement parts (or if no longer available a comparable product) if the faucet fails due to a defect in material or workmanship. This warranty does not apply in the event of produce surface damage caused by abuse, misuse or improper care and maintenance. This warranty excludes damage caused by harsh or abrasive cleaners and/or materials. This warranty includes all industrial, commercial and business use. Product replacement does not include transportation cost or labor installation cost. Elkay reserves the right to examine product in question and its installation prior to replacement.

OTHER WARRANTY CONDITIONS ON FAUCETS

Our warranty does not cover product failure or damage caused by abusive treatment, misuse, environmental factors, improper care and cleaning, or damage due to handling or faulty installations. This warranty is extended only to the original consumer purchaser of the product. This warranty does not cover shipping costs, labor costs, or any other charges for such items as installation or replacement of the sink, diagnosis or replacement of any faucet or component part, or any other expense or loss.

ALL INCIDENTAL OR CONSEQUENTIAL DAMAGES ARE SPECIFICALLY EXCLUDED. NO ADDITIONAL WARRANTIES, EXPRESS OR IMPLIED ARE GIVEN. ANY IMPLIED WARRANTY, INCLUDING ONE OF MERCHANTABILITY OR FITNESS FOR A PARTICULAR PURPOSE, IS LIMITED TO THE DURATION OF THIS WRITTEN WARRANTY.

Some states do not allow the exclusion or limitation of incidental or consequential damages or limitations on how long an implied warranty lasts, so the above limitations or exclusions may not apply to you.

This warranty gives you specific legal rights, and you may also have other rights which vary from state to state.

TO OBTAIN SERVICE UNDER WARRANTY

1. Write to: Elkay
Attention: Consumer Services
2222 Camden Court
Oak Brook, IL 60523
2. Include a letter containing the following information:
 - a. Date of purchase and installation
 - b. Description of nature of defect
 - c. Model number or description of model and/or component part if possible.

Electronic Lavatory Faucet Model LK737B

ELKAY® SPECIFICATIONS

Operation

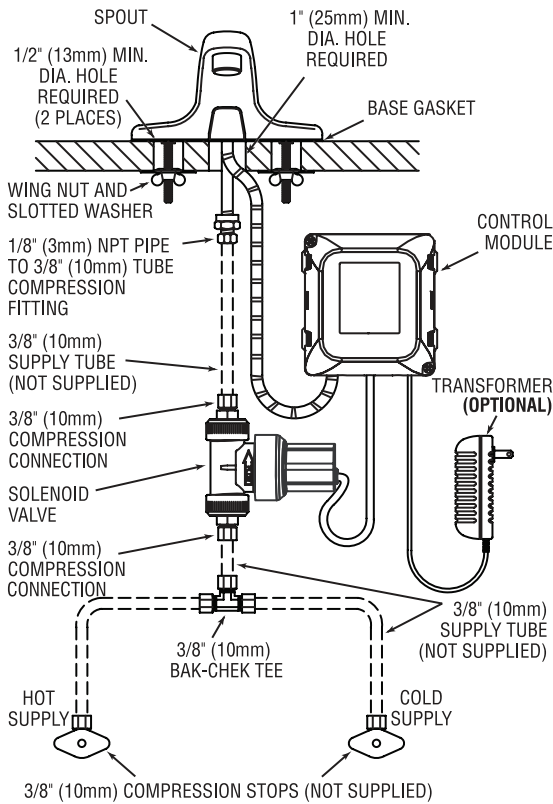
A continuous invisible beam of light is emitted from the sensor located at the base of the lavatory faucet.

As the user's hand enters the beam's effective range, the beam is reflected back into the sensor receiver and activates the solenoid valve allowing water to flow from the faucet. Water will flow until the hands are removed or until the faucet reaches its automatic time out limit setting.

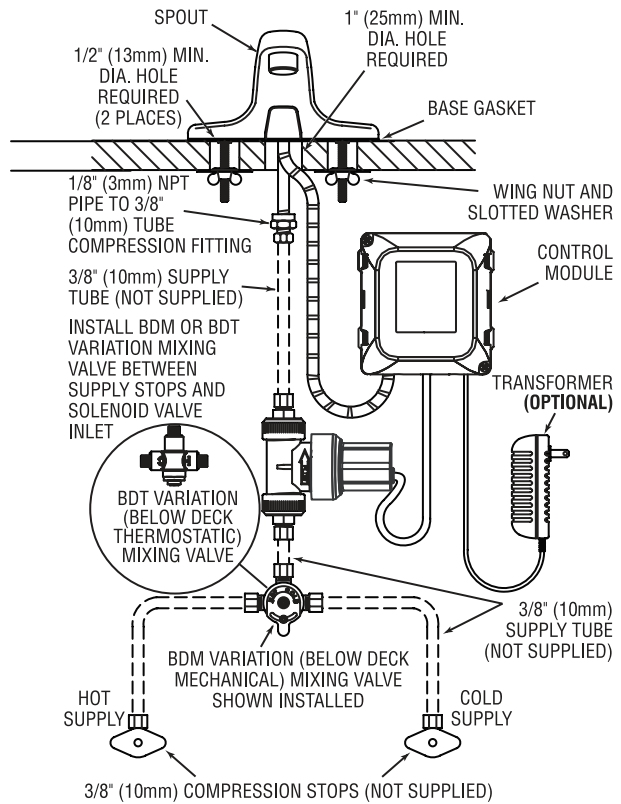
When the hands are moved away from the sensor, the loss of reflected light initiates an electrical signal that deactivates the solenoid valve, shutting off the water flow. The circuit then automatically resets and is ready for the next user.



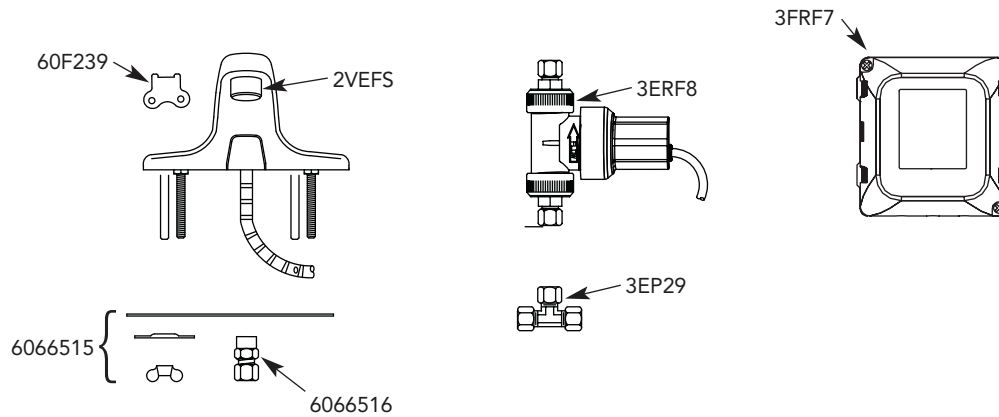
LK737B Rough-In Faucets with Bak-Chek® Tee for Hot and Cold Water Supply



LK737B Rough-In Faucets with Mixing Valves for Hot and Cold Water Supply



Replacement Parts



Part No.	Description
?	CP Faucet Assembly 4" (102mm) Centerset (EFT-650)
2VEFS	0.5 gpm (1.9Lpm) Spray Head with Key (male thread)
60F239	Replacement Key Only 0.5 gpm (1.9Lpm)
6066515	Faucet Mounting Kit includes: Base Gasket, two (2) Slotted Mounting Washers, two (2) Wing Nuts and Compression Fitting Connector
606E516	1/8" (3mm) NPT Pipe to 3/8" (10mm) Tube Compression Fitting Connector (female)
3EP29	3/8" (10mm) Bak-Chek [®] Tee Compression Fitting
3ERF8	6 VDC Solenoid Assembly
3FRF7	Control Module

Replacement Parts Available at
www.Grainger.com