

ELKAY[®]

SPECIFICATIONS

Sink Accessories

Drain Fitting with Rubber Stopper and Drain Fitting with Standpipe Overflow

Models LK1, LK272, LK273 and LK336

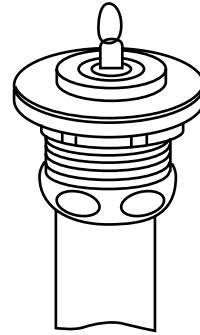
GENERAL

LK1 Chrome plated brass drain outlet fitting with rubber stopper. Designed to fit 2" drain opening with an overall flange size of 2-13/16". 1-1/2" O.D. x 4" chrome plated brass tailpiece. Ship. Wt. 3/4 lb.

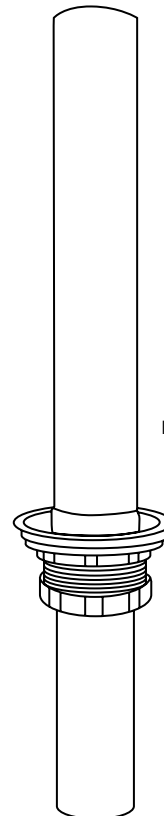
LK272 Same as LK1 except stainless steel body. Ship. Wt. 3/4 lb.

LK273 Same as LK272 except furnished with a 1-1/2" O.D. x 13-1/8" (12-1/4" assembled) stainless steel removable standpipe. Ship. Wt. 2 lbs.

LK336 Same as LK1 except type 316 stainless steel body and tailpiece. Ship. Wt. 2 lbs.



Model LK1
Model LK272
Model LK336



Model LK273

SEE OTHER SIDE FOR PRODUCT DIMENSIONS.

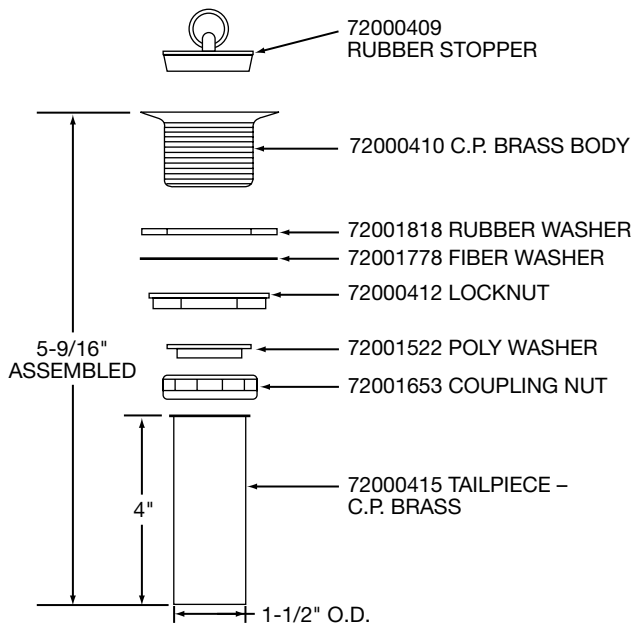
ALL DIMENSIONS IN INCHES, TO CONVERT TO MILLIMETERS MULTIPLY BY 25.4.

In keeping with our policy of continuing product improvement, Elkay reserves the right to change product specifications without notice.

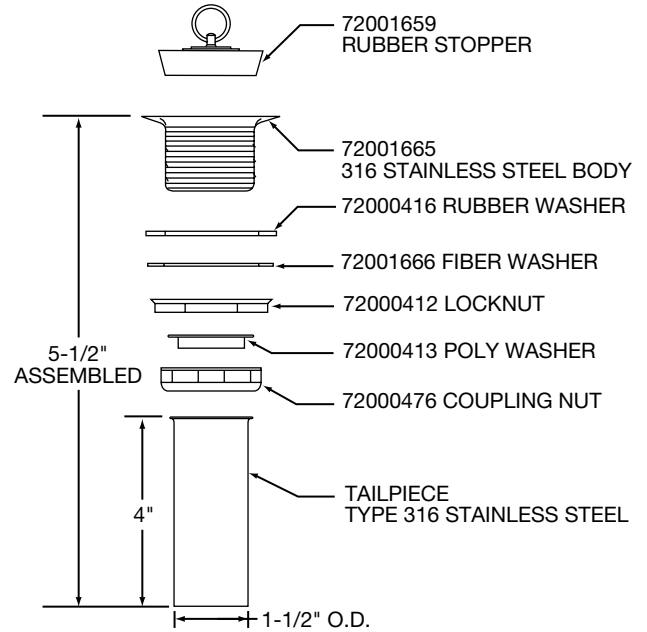
This specification describes an Elkay product with design, quality and functional benefits to the user. When making a comparison of other producers' offerings, be certain these features are not overlooked.

**Sink Accessories
 Drain Fitting with Rubber Stopper and
 Drain Fitting with Standpipe Overflow
 Models LK1, LK272, LK273 and LK336**

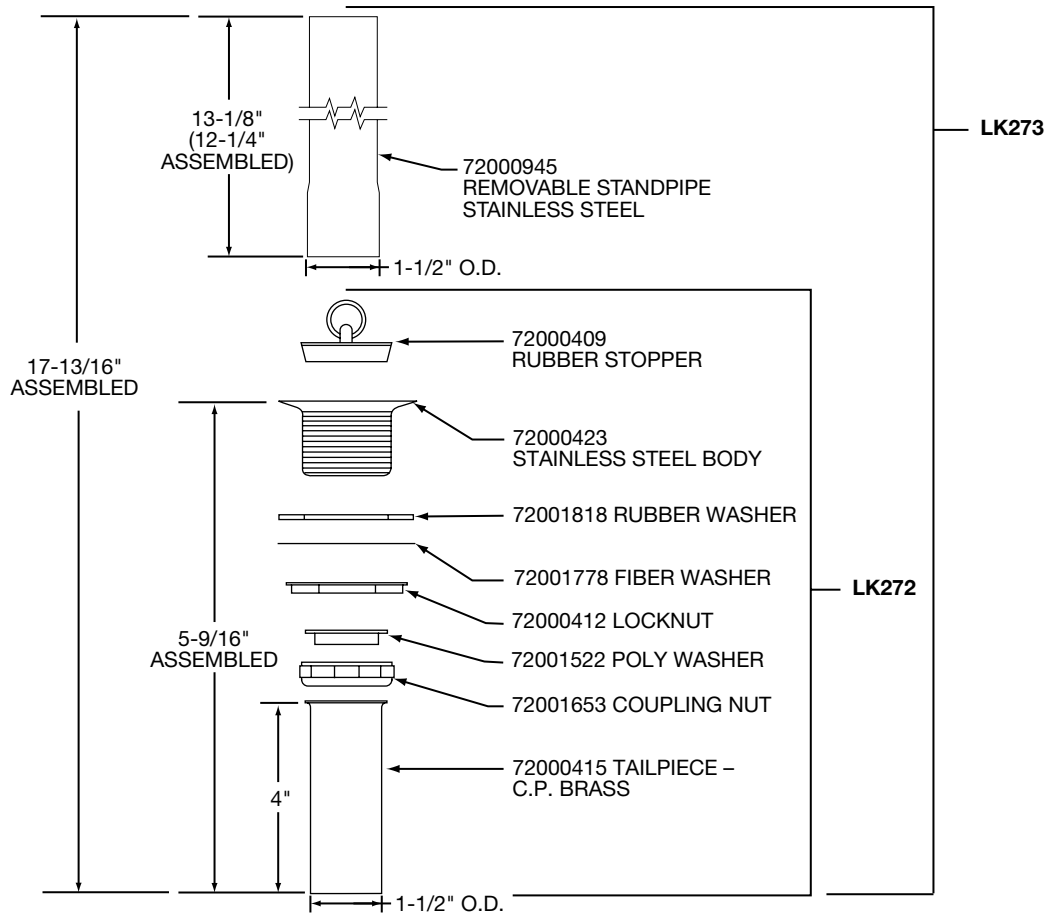
**ELKAY®
 SPECIFICATIONS**



Model LK1 Illustrated



Model LK336 Illustrated



Model LK272/LK273 Illustrated