

# ELKAY® SPECIFICATIONS

## Design Inspirations '08 by Fu-Tung Cheng Single Bowl Undermount Sink with Drainboard Models DSGNR7220 and DSGNR7220C

### GENERAL

Highest quality sink seamlessly fabricated of #18 gauge (1.2mm), type 304 (18-8) nickel-bearing stainless steel. Marrying the aesthetic with the practical, Fu-Tung Cheng has created versatile, multi-function workspaces in signature sculptural shapes.

Sink Model DSGNR7220C includes all optional accessories listed below in one convenient package.

### DESIGN FEATURES

Bowl Depth: 9" (229mm).

Coved Corners: Zero radius.

Finish: Exposed surfaces have a polished satin finish.

Underside: Fully protected by heavy duty Sound Guard® undercoating designed to prevent condensation and dampen sound.

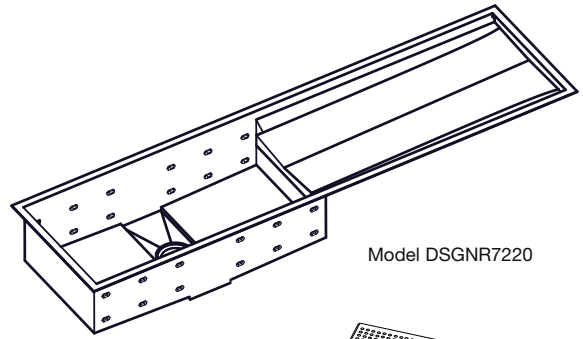
### OTHER

Drain Opening: 3-1/2" (89mm).

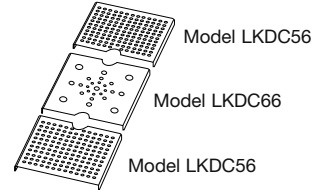
Sink complies with ASME A112.19.3.

Side Drain Cover: (2) - LKDC56 included.

Center Drain Cover: (1) - LKDC66 included.



Model DSGNR7220



Model LKDC56

Model LKDC66

Model LKDC56

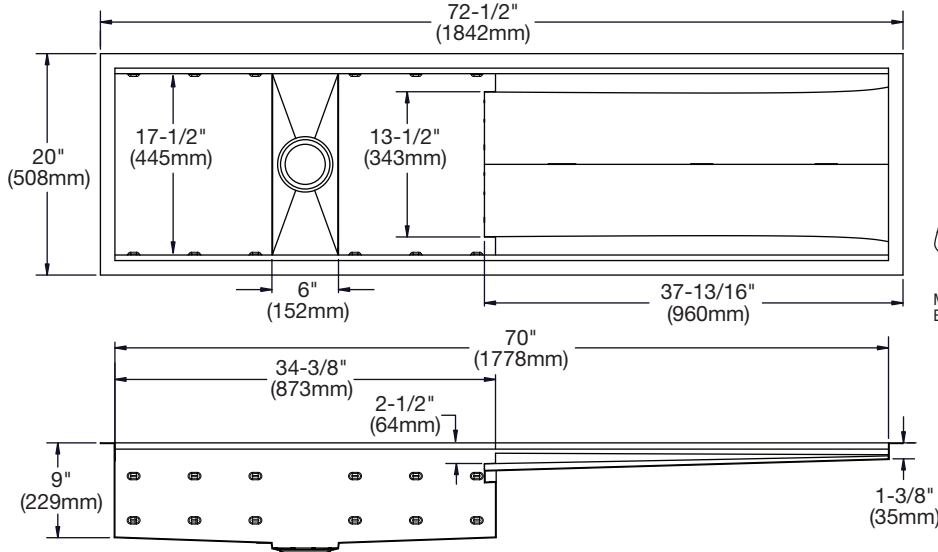
### SINK DIMENSIONS\*

Model Number	Overall		Inside Bowl			Work Area			Drain Opening	Cutout in Countertop	Minimum Cabinet Size
	L	W	L	W	D	L	W	D			
DSGNR7220	72 <sup>1</sup> / <sub>2</sub> (1842mm)	20 (508mm)	34 <sup>3</sup> / <sub>8</sub> (873mm)	17 <sup>1</sup> / <sub>2</sub> (445mm)	9 (229mm)	36 <sup>5</sup> / <sub>8</sub> (930mm)	17 <sup>1</sup> / <sub>2</sub> (445mm)	1 <sup>3</sup> / <sub>8</sub> to 2 <sup>1</sup> / <sub>2</sub> (35mm) (64mm)	3 <sup>1</sup> / <sub>2</sub> (89mm)	See Template**	†
DSGNR7220C	72 <sup>1</sup> / <sub>2</sub> (1842mm)	20 (508mm)	34 <sup>3</sup> / <sub>8</sub> (873mm)	17 <sup>1</sup> / <sub>2</sub> (445mm)	9 (229mm)	36 <sup>5</sup> / <sub>8</sub> (930mm)	17 <sup>1</sup> / <sub>2</sub> (445mm)	1 <sup>3</sup> / <sub>8</sub> to 2 <sup>1</sup> / <sub>2</sub> (35mm) (64mm)	3 <sup>1</sup> / <sub>2</sub> (89mm)		†

\*Length is left to right. Width is front to back.

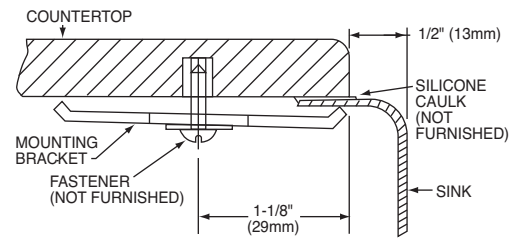
\*\*Template and countertop mounting clips are packed with every sink.

†Due to the size and installation method, a custom cabinet is required. Recommend that installation be accomplished by an experienced and professional installer only.



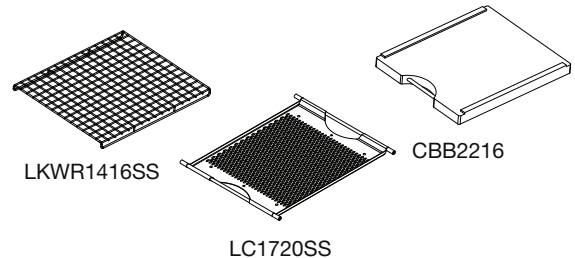
### Installation Profile

The template provided with each DSGNR sink provides the only type of installation recommended by Elkay.



### OPTIONAL ACCESSORIES\*

Model Number	Description	Overall			Material
		L	W	Depth/Thickness	
LKWR1416SS	Wire Rack	14 <sup>1</sup> / <sub>8</sub> (359mm)	16 <sup>1</sup> / <sub>4</sub> (413mm)	7/ <sub>8</sub> (23mm)	Stainless Steel
CBB2216	Cutting Board	18 <sup>1</sup> / <sub>4</sub> (464mm)	22 (559mm)	1 <sup>3</sup> / <sub>4</sub> (44mm)	Hardwood
LC1720SS	Colander	17 <sup>1</sup> / <sub>4</sub> (438mm)	20 <sup>1</sup> / <sub>2</sub> (521mm)	1/ <sub>2</sub> (13mm)	Stainless Steel



LKWR1416SS

LC1720SS

\*Length is left to right. Width is front to back.

In keeping with our policy of continuing product improvement, Elkay reserves the right to change product specifications without notice. Please visit [elkayusa.com](http://elkayusa.com) for most current version of Elkay product specification sheets.

This specification describes an Elkay product with design, quality and functional benefits to the user. When making a comparison of other producers' offerings, be certain these features are not overlooked.