

**Ferrara™ Single Handle Pull-Out
Kitchen Faucet
Model LK7120****FEATURES**

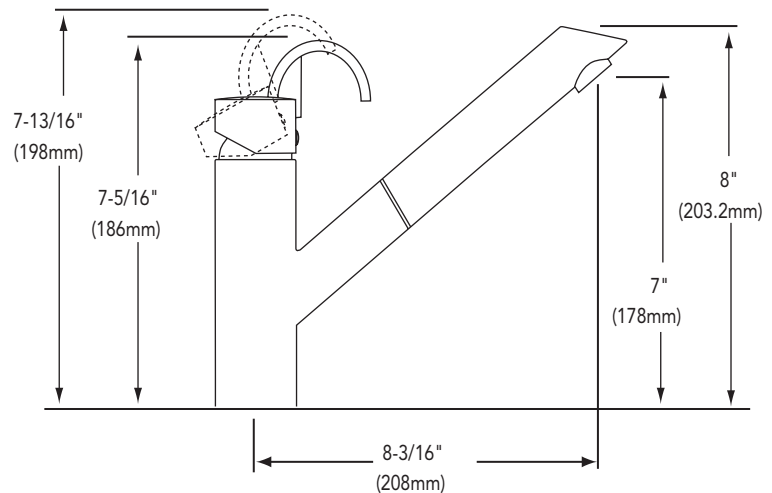
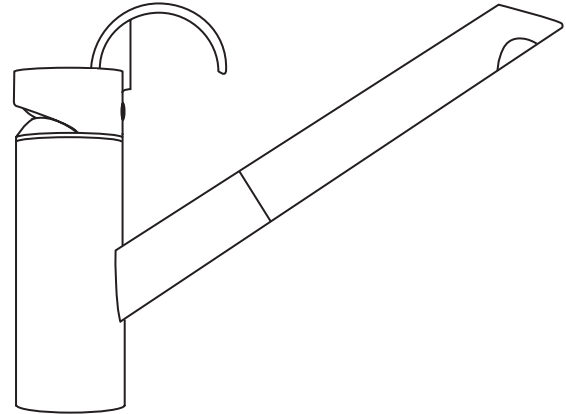
- Single hole top mount installation
 - 1/2" (13mm) diameter faucet hole required
 - Maximum countertop thickness 1-1/2" (38mm)
- Single-lever faucet with single stream pull-out spray
- 180° swing spout body with solid brass construction
- Removable ceramic disc cartridge
- Flexible supply tubes with 1/2" (13mm) male I.P.S. adapters.
- Available in the following colors & finishes
 - Chrome LK7120CR
 - Brushed chrome LK7120BC
 - Brushed nickel LK7120NK
- Ship Wt. 6-1/4 lbs. (3Kg)
- Due to the weight of this faucet, Elkay recommends that it be installed to an 18" (457mm) gauge stainless steel sink (or heavier) or to a solid surface countertop
- Maximum flow rate
 - 2.5 GPM/9.5 L/min at 80 P.S.I.G
 - 2.2 GPM/8.3 L/min at 60 P.S.I.G

WARRANTY

- Limited Lifetime

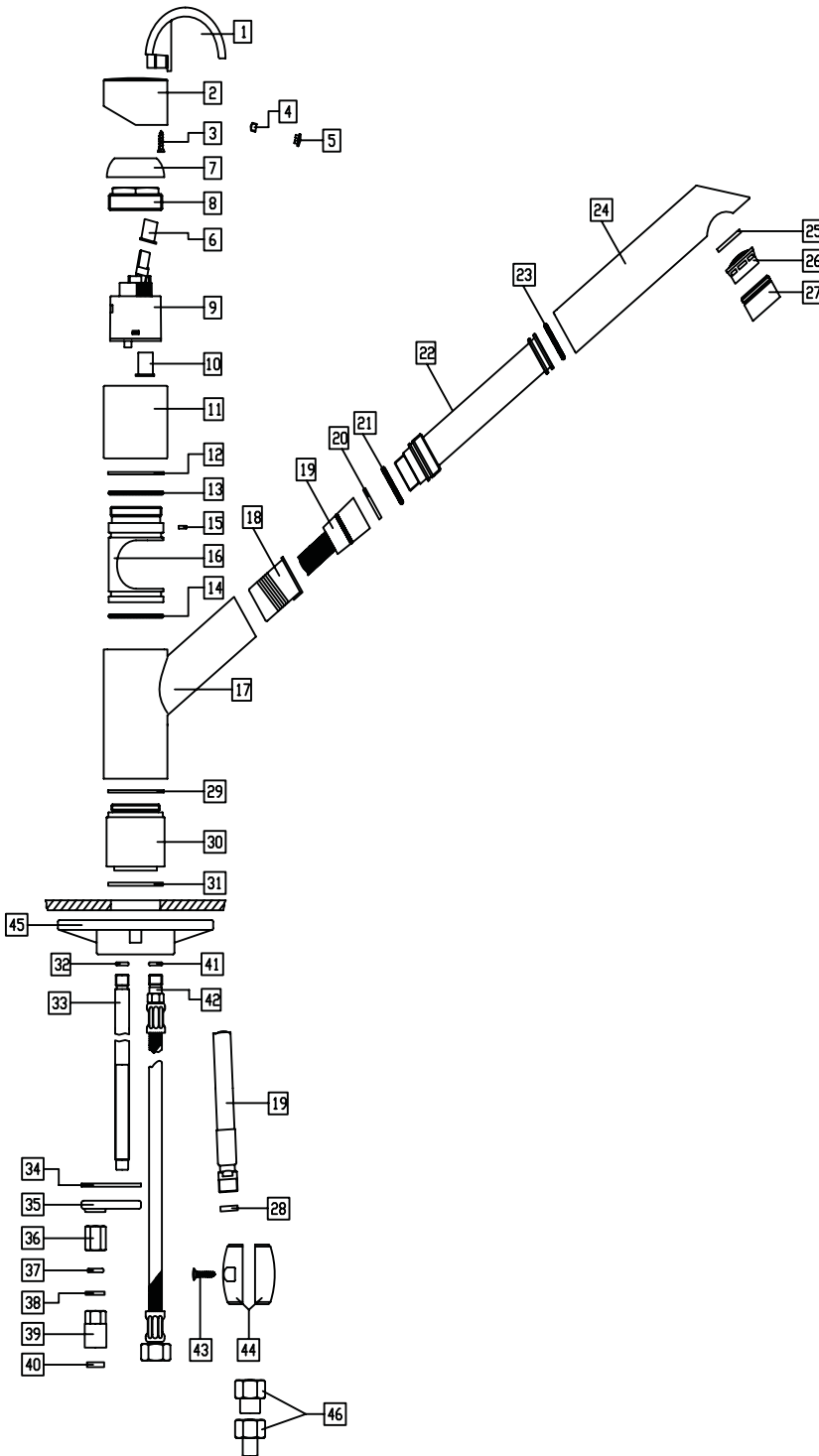
COMPLIES WITH:

- ANSI/NSF61-CERTIFIED
- ASME A112.18.1-05/CSA B125.1-2005-CERTIFIED
- CA AB1953/VT S152
- cUPC-CERTIFIED
- UPC-CERTIFIED



SEE OTHER SIDE FOR REPLACEMENT PARTS

Ferrara™ Single Handle Pull-Out Kitchen Faucet Model LK7120



ITEM	PART	DESCRIPTION
1		
2		
3	A55949R - CHROME A55950R - BRUSHED NICKEL A55951R - BRUSHED CHROME	LEVER HANDLE ASSEMBLY
4		
5		
6		
7	N/A	N/A
8		
9	A56104R	CARTRIDGE
10	A56117R	GREEN WASHER
11		
12		
13		
14	N/A	N/A
15		
16		
17		
18		
19	A56118R	GREY FLEX HOSE
20		
21		
22	A56111R - CHROME A56127R - BRUSHED NICKEL A56128R - BRUSHED CHROME	HAND SHOWER ASSEMBLY (INCLUDES AERATOR ASSEMBLY)
23		
24		
25	A56034R - CHROME A56035R - BRUSHED NICKEL A56036R - BRUSHED CHROME	AERATOR ASSEMBLY
26		
27		
28	A56118R	GREY FLEX HOSE
29		
30		
31	N/A	N/A
32		
33		
34		
35		
36		
37	A56019R	HARDWARE
38		
39		
40		
41	A56097R	FLEXIBLE HOSE
42		
43	N/A	N/A
44	N/A	N/A
45		
46	A56030R	ADAPTOR