

Allure® Side Handle Kitchen Faucet Models LK6175 & LK6176

FEATURES

Model LK6175

- Single hole top mount installation
 - 1-1/2" (13mm) diameter faucet hole required
 - Maximum countertop thickness 1-1/2" (38mm)
- 360° swing spout
- Single lever faucet with solid brass construction
- Removable ceramic disc cartridge
- Flexible supply tubes with 1/2" (13mm) male I.P.S. adapters
- Available in the following colors & finishes
 - Chrome LK6175CR, LK6176CR
 - Brushed nickel LK6175NK, LK6176NK
- Ship Wt. 7.5 lbs. (3.4Kg)
- Due to the weight of this faucet, Elkay recommends that it be installed to an 18" (457mm) gauge stainless steel sink (or heavier) or to a solid surface countertop
- Maximum flow rate
 - 2.5 GPM/9.5 L/min at 80 P.S.I.G
 - 2.5 GPM/8.3 L/min at 60 P.S.I.G

Model LK6176

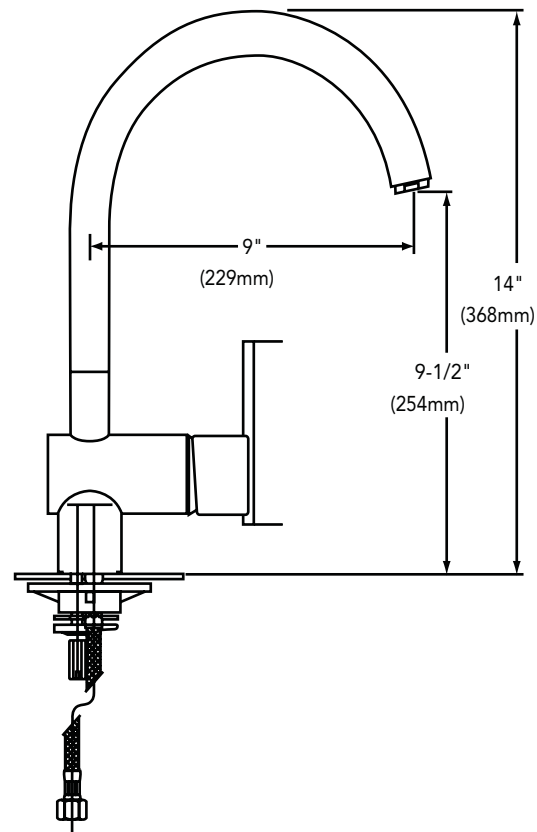
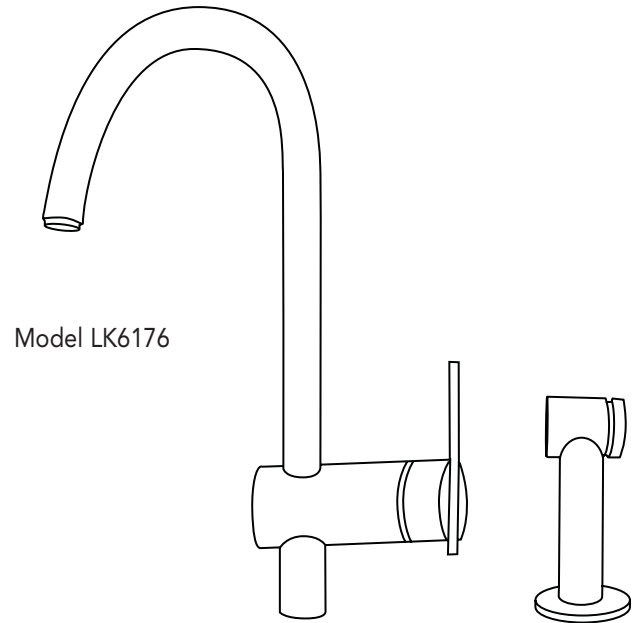
- Same as LK6175 except with retractable spray head and hose
- Two 1-1/2" (38mm) diameter faucet holes required
- Ship Wt. 9.5 lbs. (4.3Kg)

WARRANTY

- Limited Lifetime

COMPLIES WITH:

- ADA
 - LK6175 models only
- ANSI/NSF61-CERTIFIED
- ASME A112.18.1-05/CSA B125.1-2005-CERTIFIED
- CA AB1953/VT S152
- cUPC-CERTIFIED
- UPC-CERTIFIED



SEE OTHER SIDE FOR REPLACEMENT PARTS

Allure® Side Handle kitchen Faucet Models LK6175 & LK6176

ITEM	PART	DESCRIPTION
1	A56058R - CHROME A56063R - BRUSHED NICKEL	LEVER HANDLE ASSEMBLY
2		
3		
4		
5		
6	A56057R - CHROME A56062R - BRUSHED NICKEL	METAL WASHER/COVER
7		
8		
9	A54236	CARTRIDGE
10	N/A	N/A
11	N/A	N/A
12	A56060R - CHROME A56065R - BRUSHED NICKEL	AERATOR
13	A56093R - CHROME A56094R - BRUSHED NICKEL	SPOUT ASSEMBLY
14		
15		
16		
17		
18	N/A	N/A
19		
20		
21		
22		
23		
24		
25		
26		
27		
28		
29		
30		
31		
32		
33		
34		
35		
36		
37		
38		
39	A56156R - CHROME A56157R - BRUSHED NICKEL	SIDE SPRAY ASSEMBLY
40		
41		
42		
43	N/A	N/A
44		
45		
46		
47		
48		

