

## Allure® Side Handle Kitchen Faucet Model LK6165 and LK6166

### FEATURES

#### Model LK6165

- One hole single lever top mount faucet
  - 1-1/2" (38mm) diameter faucet hole required
  - Maximum countertop thickness 1-1/2" (38mm)
- Solid brass construction
- 360° swing spout
- Removable ceramic disc cartridge
- Heavy plate finish
- 3/8" (10mm) O.D. flexible supply tubes with 1/2" (13mm) male I.P.S. adapters.
- Available in the following colors & finishes
  - Chrome LK6165CR, LK6166CR
  - Brushed nickel LK6165NK, LK6166NK
- Ship Wt. 7.5 lbs. (3.4Kg)
- Due to the weight of this faucet, Elkay recommends that it be installed to an 18" (457mm) gauge stainless steel sink (or heavier) or to a solid surface countertop
- Maximum flow rate
  - 2.5 GPM/9.5 L/min at 80 P.S.I.G
  - 2.2 GPM/8.3 L/min at 60 P.S.I.G

#### Model LK6166

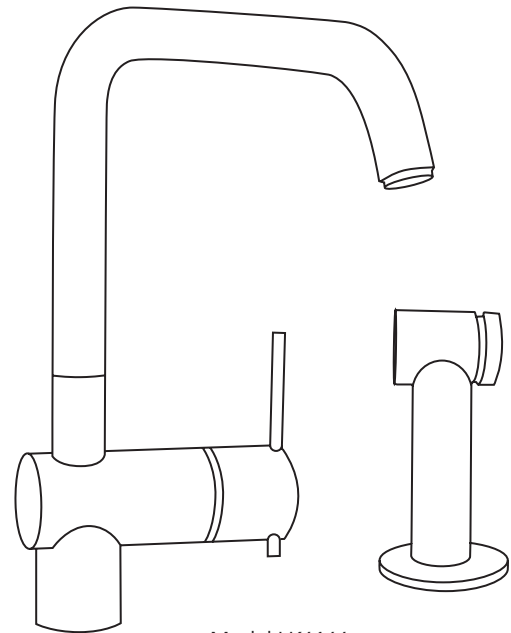
- Same as LK6165 except with retractable side spray and hose
- Two hole single lever top mount faucet
  - Two 1-1/2" (38mm) diameter faucet holes required
  - Maximum countertop thickness 1-1/2" (38mm)
- Ship Wt. 9.5 lbs. (4.3Kg)

### WARRANTY

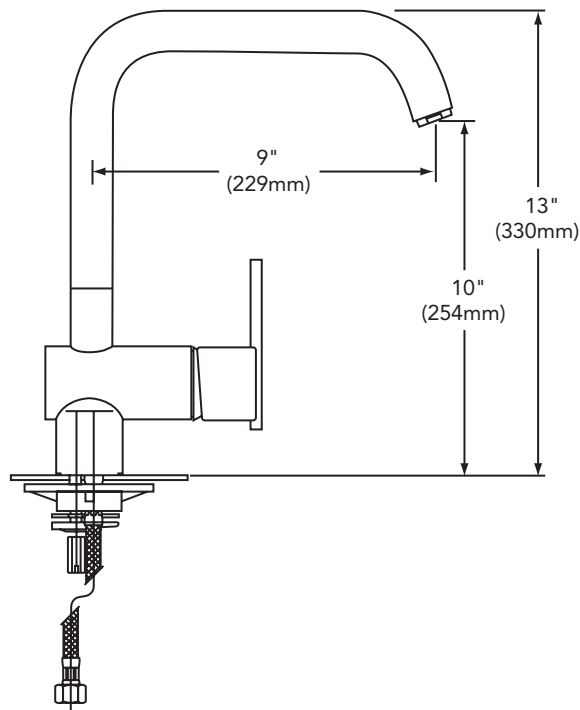
- Limited Lifetime

### COMPLIES WITH:

- ADA
- ANSI/NSF61-CERTIFIED
- ASME A112.18.1-05/CSA B125.1-2005
- CA AB1953/VT S152
- cUPC-CERTIFIED



Model LK6166

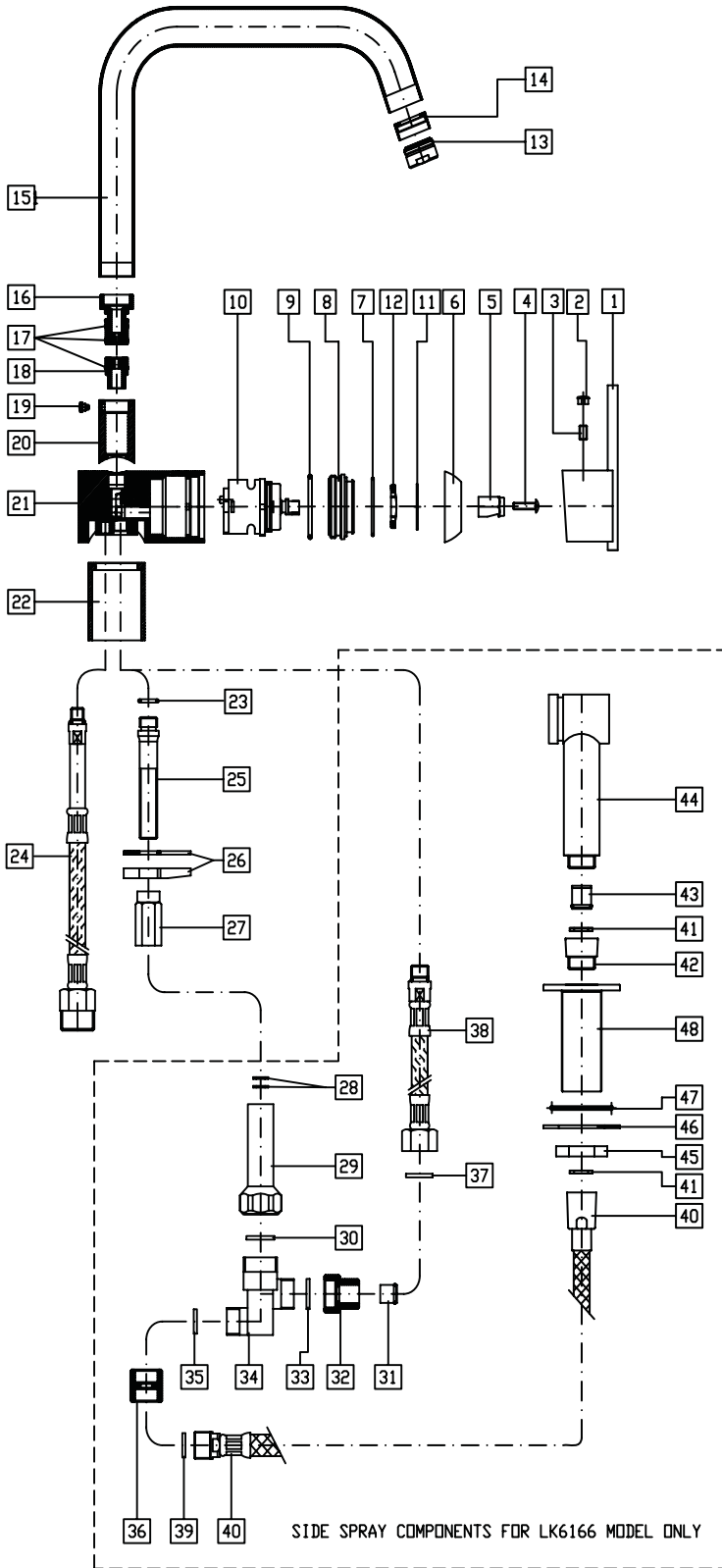


SEE OTHER SIDE FOR REPLACEMENT PARTS



# REPLACEMENT PARTS

## Allure® Side Handle Kitchen Faucet Model LK6165 and LK6166



ITEM	PART	DESCRIPTION
1		
2	A56058R - CHROME	LEVER HANDLE ASSEMBLY
3	A56063R - BRUSHED NICKEL	
4		
5		
6		METAL WASHER/COVER
7	A56057R - CHROME	
8	A56062R - BRUSHED NICKEL	
9		
10	A54236R	CARTRIDGE
11	N/A	N/A
12		
13	A56060R - CHROME A56065R - BRUSHED NICKEL	AERATOR
13		SPOUT ASSEMBLY
14		
15	A56091R - CHROME	
16	A56092R - BRUSHED NICKEL	
17		
18		
19	P36142	SET SCREW
20		N/A
21		
22		
23		
24	P48052	FLEX HOUSE
25	P30113	SHANK
26		LK6165 MOUNTING KIT
27	P35257	
26		LK6166 MOUNTING KIT
27	P35258	
28		
29		
30	P37126	LK6166 O-RING
31		N/A
32		
33		
34		
35		
36		
37		
38	P48053	LK6166 FLEX HOSE
39		LK6166 SIDE SPRAY ASSEMBLY
40		
41	A56156R - CHROME	
42	A56157R - BRUSHED NICKEL	
43		
44		LK6166 SIDE SPRAY NEST
45		
46	P45107 - CHROME	
47	P45108 - BRUSHED NICKEL	
48		