

**Allure™ Single Handle Lavatory Faucet
Model LK6155****FEATURES**

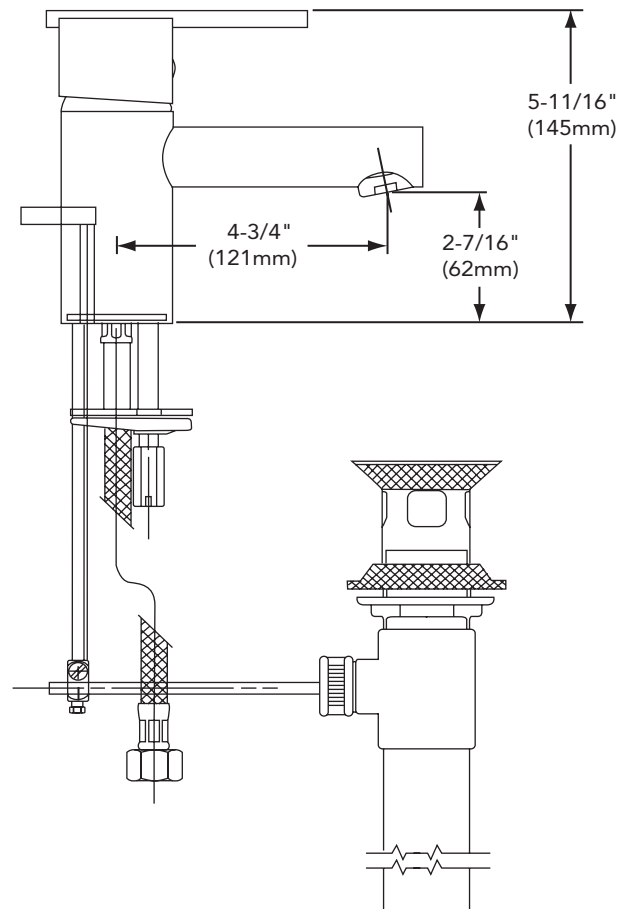
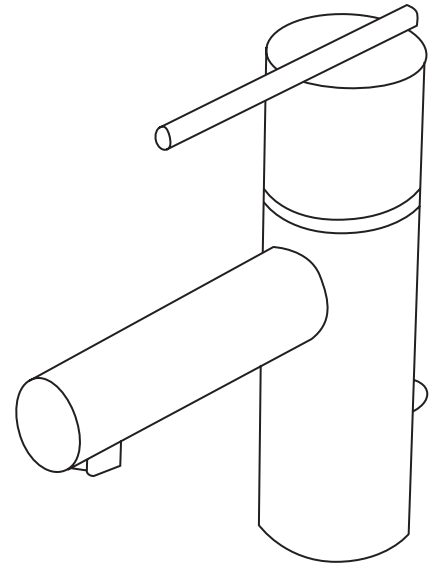
- Single hole top mount installation
 - 1/2" (13mm) diameter faucet hole required
 - Maximum countertop thickness 1-1/2" (38mm)
- Single-lever faucet
- Complete with metal pop-up drain
- Removable ceramic disc cartridge
- 3/8" (10mm) O.D. flexible supply tubes with 1/2" (13mm) male I.P.S. adapters.
- Available in the following colors & finishes
 - Chrome LK6155CR
 - Brushed nickel LK6155NK
- Ship Wt. 6.5 lbs. (2.9Kg)
- Due to the weight of this faucet, Elkay recommends that it be installed to an 18" (457mm) gauge stainless steel sink (or heavier) or to a solid surface countertop
- Maximum flow rate
 - 1.5 GPM/5.0 L/min at 60 P.S.I.G

WARRANTY

- Limited Lifetime

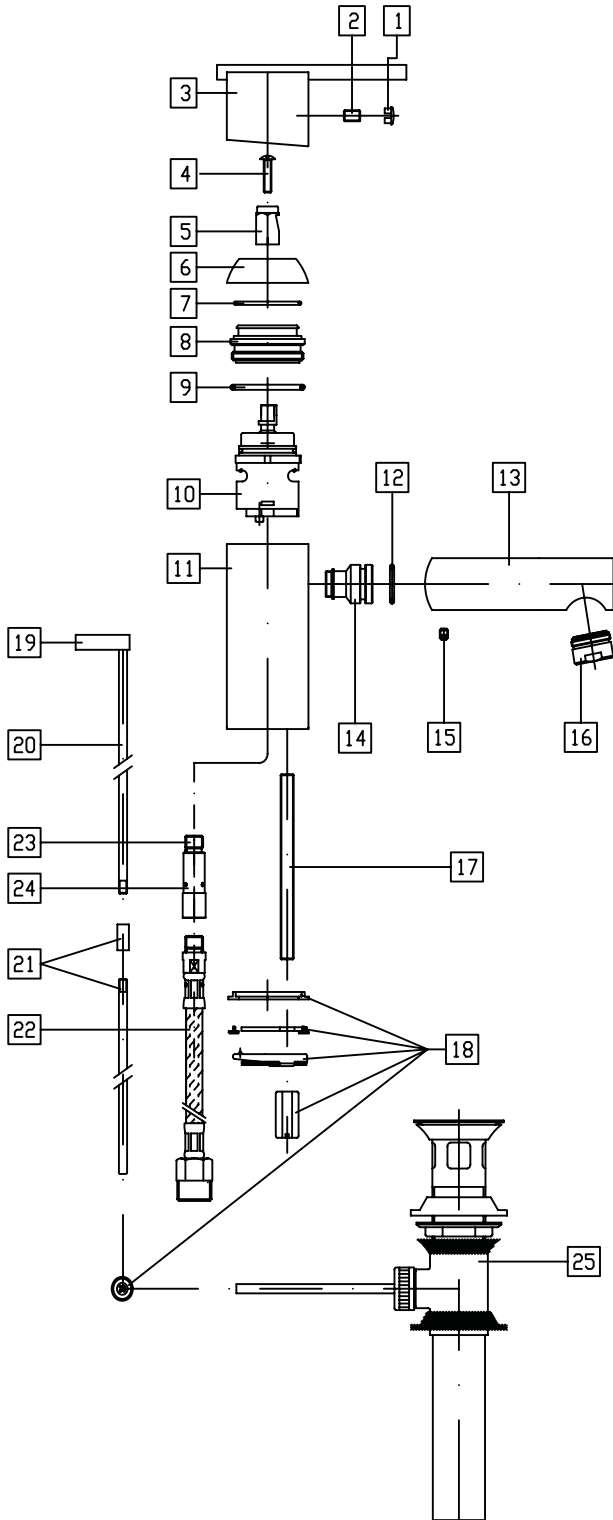
COMPLIES WITH:

- ADA
- ANSI/NSF61-CERTIFIED
- ASME A112.18.1-05/CSA B125.1-2005-CERTIFIED
- CA AB1953/VT S152
- cUPC-CERTIFIED
- UPC-CERTIFIED



SEE OTHER SIDE FOR REPLACEMENT PARTS

**Allure™ Single Handle Lavatory Faucet
Model LK6155**



| ITEM | PART | DESCRIPTION |
|------|--|-----------------------|
| 1 | | |
| 2 | | |
| 3 | A56058R - CHROME A56063R - BRUSHED NICKEL | LEVER HANDLE ASSEMBLY |
| 4 | | |
| 5 | | |
| 6 | | |
| 7 | A56057R - CHROME | METAL WASHER/COVER |
| 8 | A56062R - BRUSHED NICKEL | |
| 9 | | |
| 10 | A54236 | CARTRIDGE |
| 11 | | |
| 12 | | |
| 13 | N/A | N/A |
| 14 | | |
| 15 | | |
| 16 | A56060R - CHROME A56065R - BRUSHED NICKEL | AERATOR |
| 17 | | |
| 18 | | |
| 19 | | |
| 20 | | |
| 21 | N/A | N/A |
| 22 | | |
| 23 | | |
| 24 | | |
| 25 | | |