

Oldare™ Wall Mount Pot Filler Model LK4101

FEATURES

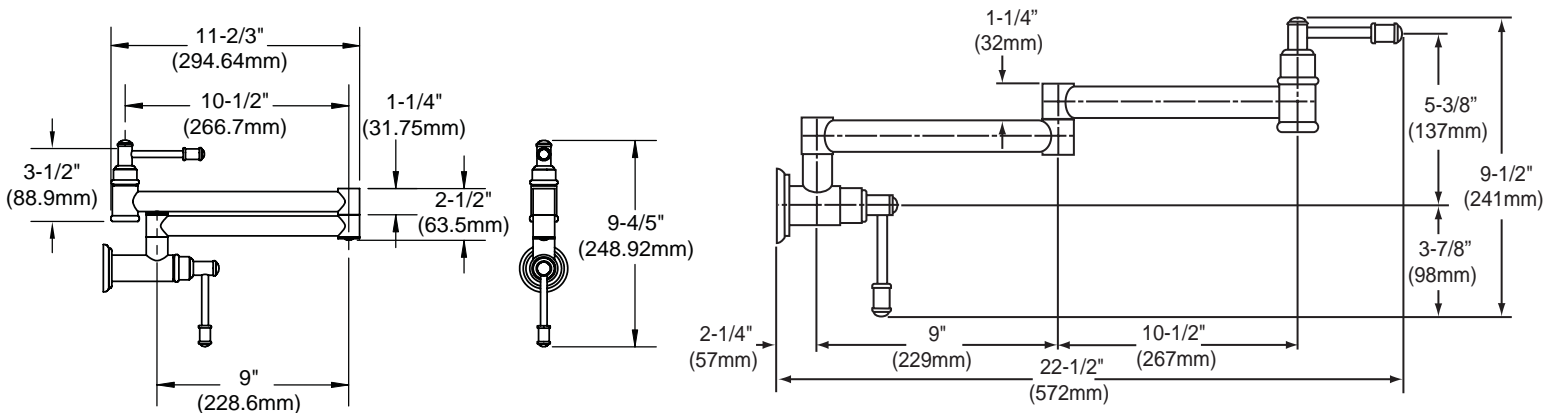
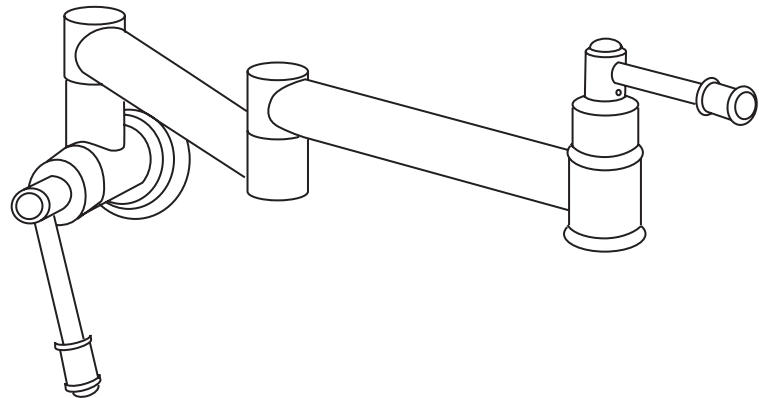
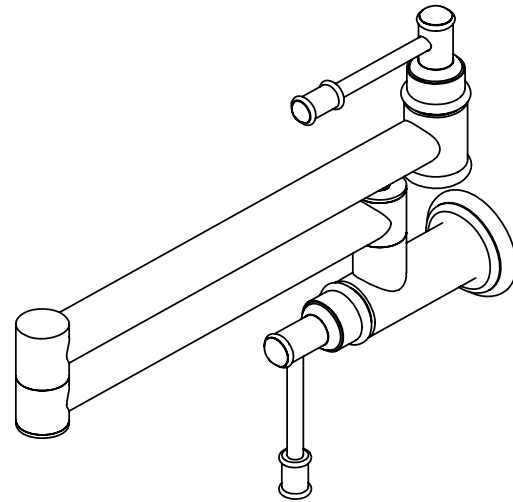
- Single hole wall mount installation
 - 1-1/2" (38mm) diameter faucet hole required
- Dual-lever pot filler
- 360° swing arms
- Ceramic disc cartridge
- Solid brass construction
- Available in the following finishes
 - Antique brass **LK4101AB**
 - Brushed nickel **LK4101NK**
 - Chrome **LK4101CR**
 - Old english brass **LK4101OEB**
 - Pewter **LK4101PW**
 - Polished brass **LK4101PB**
 - Polished nickel **LK4101PN**
 - Antique bronze **LK4101RB**
- Ship Wt. 10 lbs. (4.5Kg)
- Maximum flow rate
 - 2.5 GPM/9.5 L/min at 80 P.S.I.G.
 - 2.2 GPM/8.3 L/min at 60 P.S.I.G.

WARRANTY

- Limited Lifetime

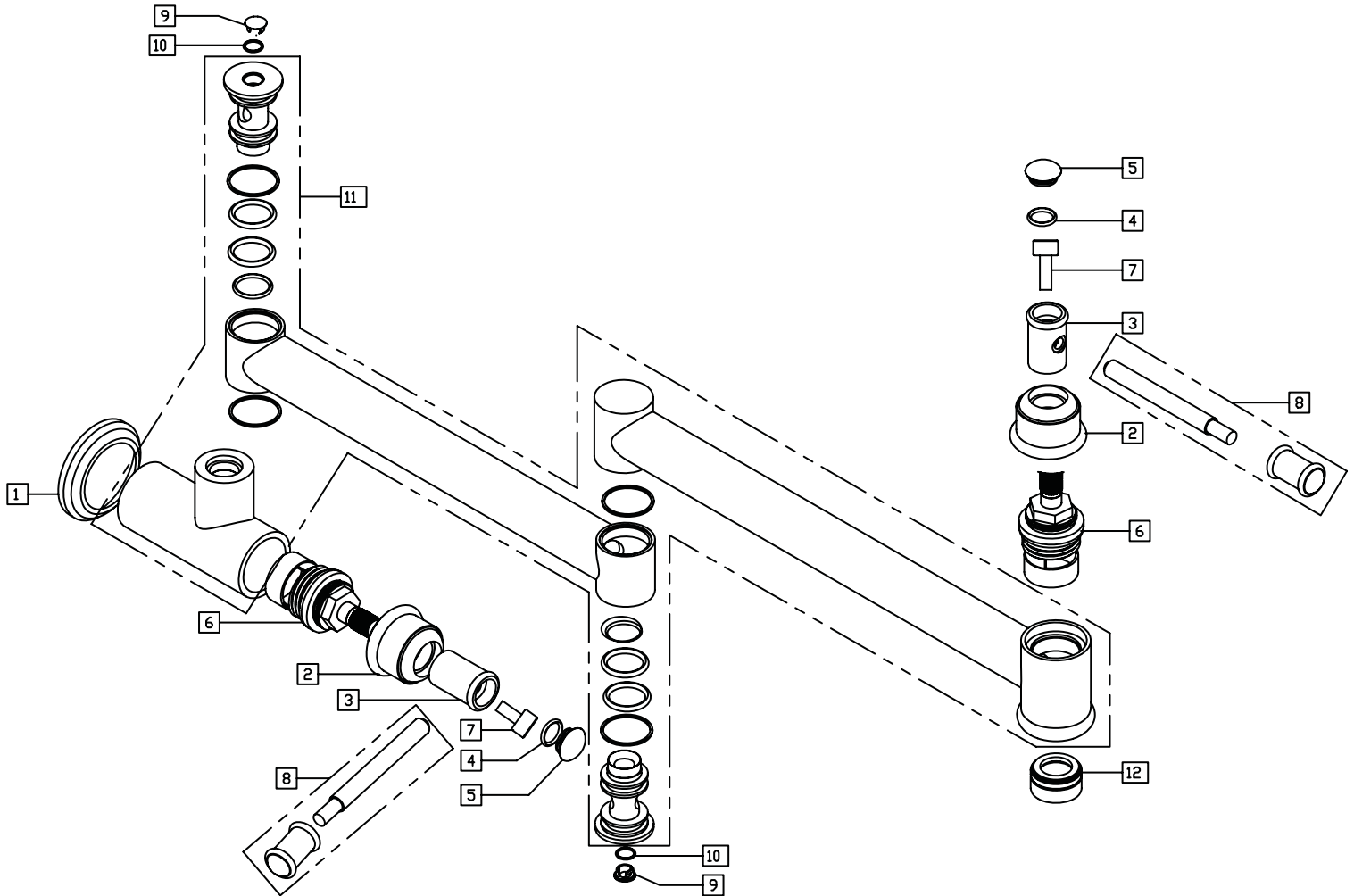
COMPLIES WITH:

- ADA
- ANSI/NSF61
- ASME 112.18.1/CSA B125.1
- CA AB1953/VT S152



SEE OTHER SIDE FOR REPLACEMENT PARTS

Oldare™ Wall Mount Pot Filler Model LK4101



FINISH CODE	FINISH CODE	DESCRIPTION
AB	_047	ANTIQUÉ BRASS
CR	_026	POLISHED CHROME
NK	_015	BRUSHED NICKEL
OEB	_OEB	OLD ENGLISH BRASS
PB	_003	POLISHED BRASS
PN	_014	POLISHED NICKEL
PW	_15A	PEWTER
RB	_11B	ANTIQUÉ BRONZE

ITEM	IND. PART	KIT. PART	DESCRIPTION
1	P07005*	N/A	ESCUTCHEON
2	P02044*	N/A	CAP
3	P01090*	N/A	HANDLE
4	P37034	N/A	O-RING
5	P01091*	N/A	CAP
6	LC499CNL	LK759	CARTRIDGE ASSEMBLY
7	P36018		
8	N/A	LK757*	HANDLE ASSEMBLY
9	P01092**	LK758*	SMALL CAP ASSEMBLY
10	P37060		
11	N/A	LK763*	ARM ASSEMBLY
12	N/A	M501L**	AERATOR ASSEMBLY

* - DESIGNATES A PART THAT WILL NEED THE FINISH CODE (FROM THE LEFT HAND CHART) ADDED TO THE END FOR ORDERING. I.E. LK757CR

** - DESIGNATES A PART THAT WILL NEED THE FINISH CODE (FROM THE LEFT HAND CHART) ADDED TO THE END FOR ORDERING. I.E. M501L_047