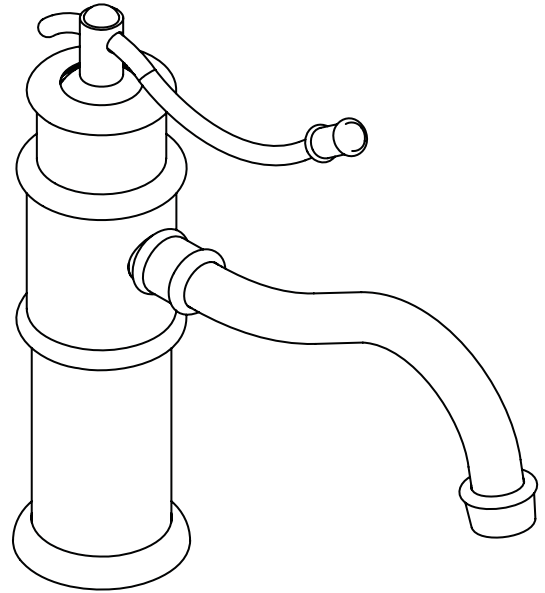


Oldare™ Single Handle Bar Faucet Model LK7101

FEATURES

- Single hole top mount installation
 - 1-1/2" (38mm) faucet hole required
 - Maximum countertop thickness 2-1/2" (64mm)
- Single-lever faucet
- 360° swing spout
- Ceramic disc cartridge
- Solid brass construction
- Flexible supply tubes with 1/2" (13mm) male IPS adapters
- Available in the following finishes

- Antique brass	LK7101AB
- Brushed nickel	LK7101NK
- Chrome	LK7101CR
- Old english brass	LK7101OEB
- Pewter	LK7101PW
- Polished brass	LK7101PB
- Polished nickel	LK7101PN
- Antique bronze	LK7101RB
- Ship Wt. 8-3/4 lbs. (4Kg)
- Due to the weight of this faucet, Elkay recommends that it be installed to an 18" (457mm) gauge stainless steel sink (or heavier) or to a solid surface countertop
- Maximum flow rate
 - 2.5 GPM/9.5 L/min at 80 P.S.I.G.
 - 2.2 GPM/8.3 L/min at 60 P.S.I.G.

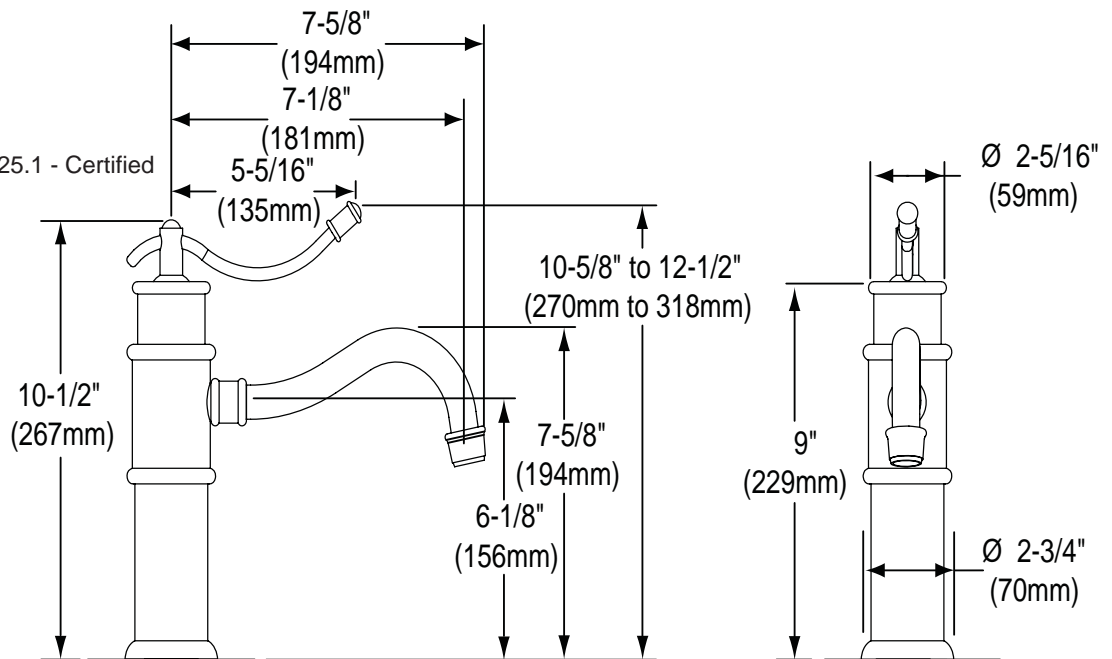


WARRANTY

- Limited Lifetime

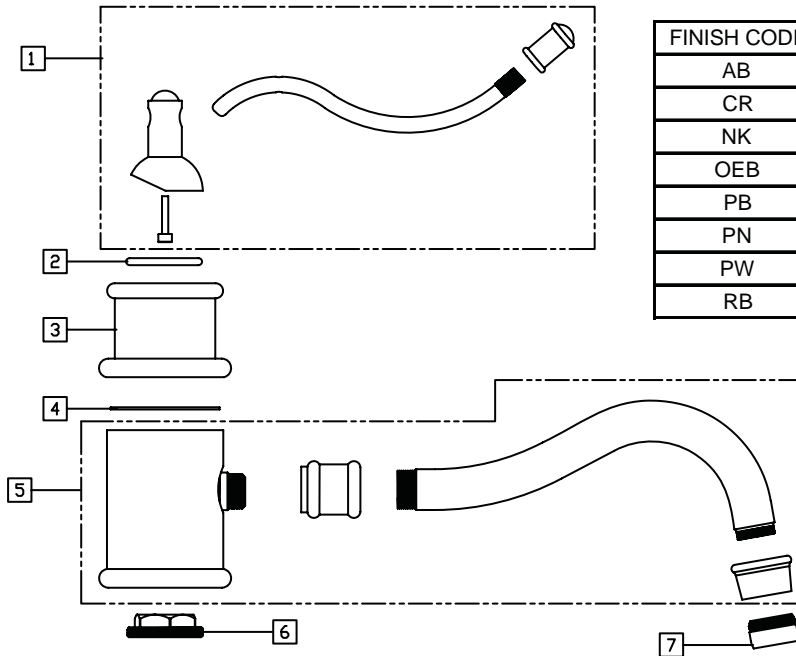
COMPLIES WITH:

- ADA
- ANSI/NSF61
- ASME 112.18.1/CSA B125.1 - Certified
- CA AB1953/VT S152
- cUPC - Certified
- UPC - Certified

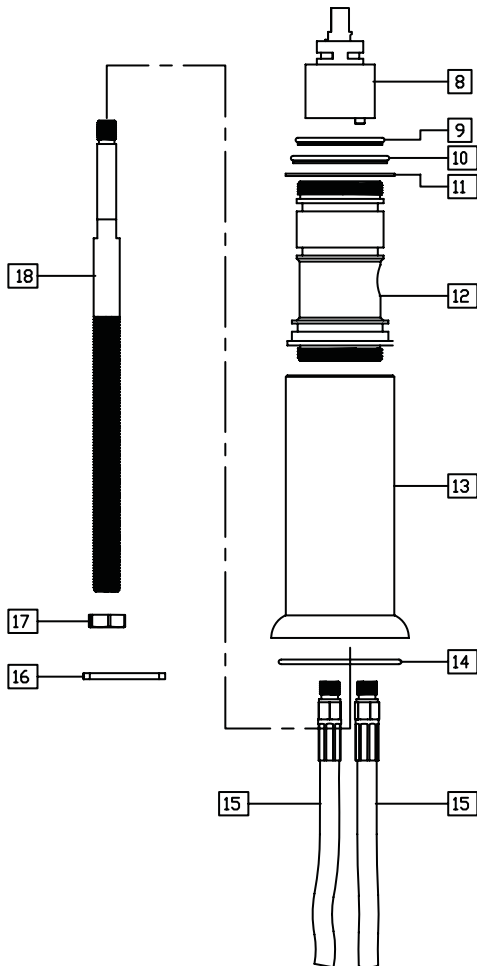


SEE OTHER SIDE FOR REPLACEMENT PARTS

Oldare™ Single Handle Bar Faucet Model LK7101



FINISH CODE	FINISH CODE	DESCRIPTION
AB	_047	ANTIQUÉ BRASS
CR	_026	POLISHED CHROME
NK	_015	BRUSHED NICKEL
OEB	_OEB	OLD ENGLISH BRASS
PB	_003	POLISHED BRASS
PN	_014	POLISHED NICKEL
PW	_15A	PEWTER
RB	_11B	ANTIQUÉ BRONZE



ITEM	IND. PART	KIT PART	DESCRIPTION
1	N/A		HANDLE ASSEMBLY
2	P37041	LK755*	
3	P01100**		
4	P35032	N/A	WASHER
5	N/A	LK764*	SPOUT ASSEMBLY
6	P29034	N/A	NUT
7	N/A	M501L**	AERATOR ASSEMBLY
8	P29033	N/A	CARTRIDGE ASSEMBLY
9	P37043	N/A	O-RING
10	P37040	N/A	O-RING
11	P35032	N/A	WASHER
12	P28037	N/A	BODY
13	N/A	LK765*	BASE ASSEMBLY
14	P37124	N/A	O-RING
15	P47001XX	N/A	SUPPLY HOSE
16	P35179	LK761	MOUNTING HARDWARE
17	P35248		
18	P30025	N/A	SHANK

* - DESIGNATES A PART THAT WILL NEED THE FINISH CODE (FROM THE TOP CHART) ADDED TO THE END FOR ORDERING. I.E. LK755CR

** - DESIGNATES A PART THAT WILL NEED THE FINISH CODE (FROM THE LEFT HAND CHART) ADDED TO THE END FOR ORDERING. I.E. M501L_047