

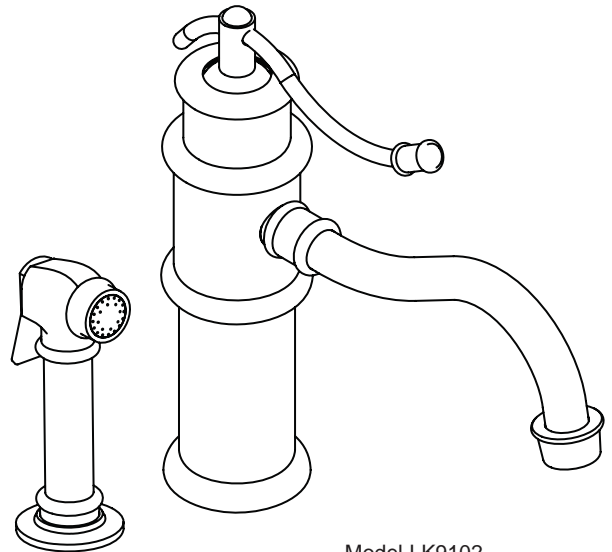
Oldare™ Single Handle Kitchen Faucet Models LK9101 and LK9102

FEATURES

Model LK9101

- Single hole top mount installation
 - 1-1/2" (38mm) faucet hole required
 - Maximum countertop thickness 2-1/2" (64mm)
- Single-lever faucet
- 360° swing spout
- Ceramic disc cartridge
- Solid brass construction
- Flexible supply tubes with 1/2" (13mm) male IPS adapters
- Available in the following finishes

- Antique brass	LK9101AB	LK9102AB
- Brushed nickel	LK9101NK	LK9102NK
- Chrome	LK9101CR	LK9102CR
- Old english brass	LK9101OEB	LK9102OEB
- Pewter	LK9101PW	LK9102PW
- Polished brass	LK9101PB	LK9102PB
- Polished nickel	LK9101PN	LK9102PN
- Antique bronze	LK9101RB	LK9102RB
- Ship Wt. 9lbs. (4Kg)
- Due to the weight of this faucet, Elkay recommends that it be installed to an 18" (457mm) gauge stainless steal sink (or heavier) or to a solid surface countertop
- Maximum flow rate
 - 2.5GPM/9.5 L/min at 80 P.S.I.G.
 - 2.2 GPM/8.3 L/min at 60 P.S.I.G.



Model LK9102

Model LK9102

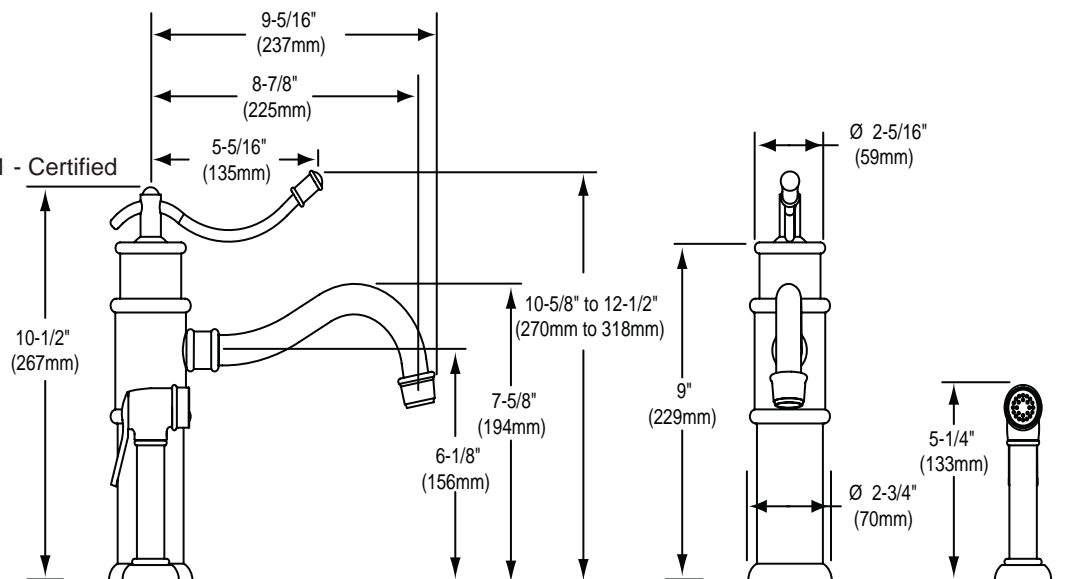
- Same as LK9101 except with a retractable spray head and hose
- Two hole top mount installation
 - Two 1-1/2" (38mm) faucet holes required
 - Maximum countertop thickness 1-5/8" (41mm)
- Ship weight is 10-1/2 lbs. (4.8Kg)

WARRANTY

- Limited Lifetime

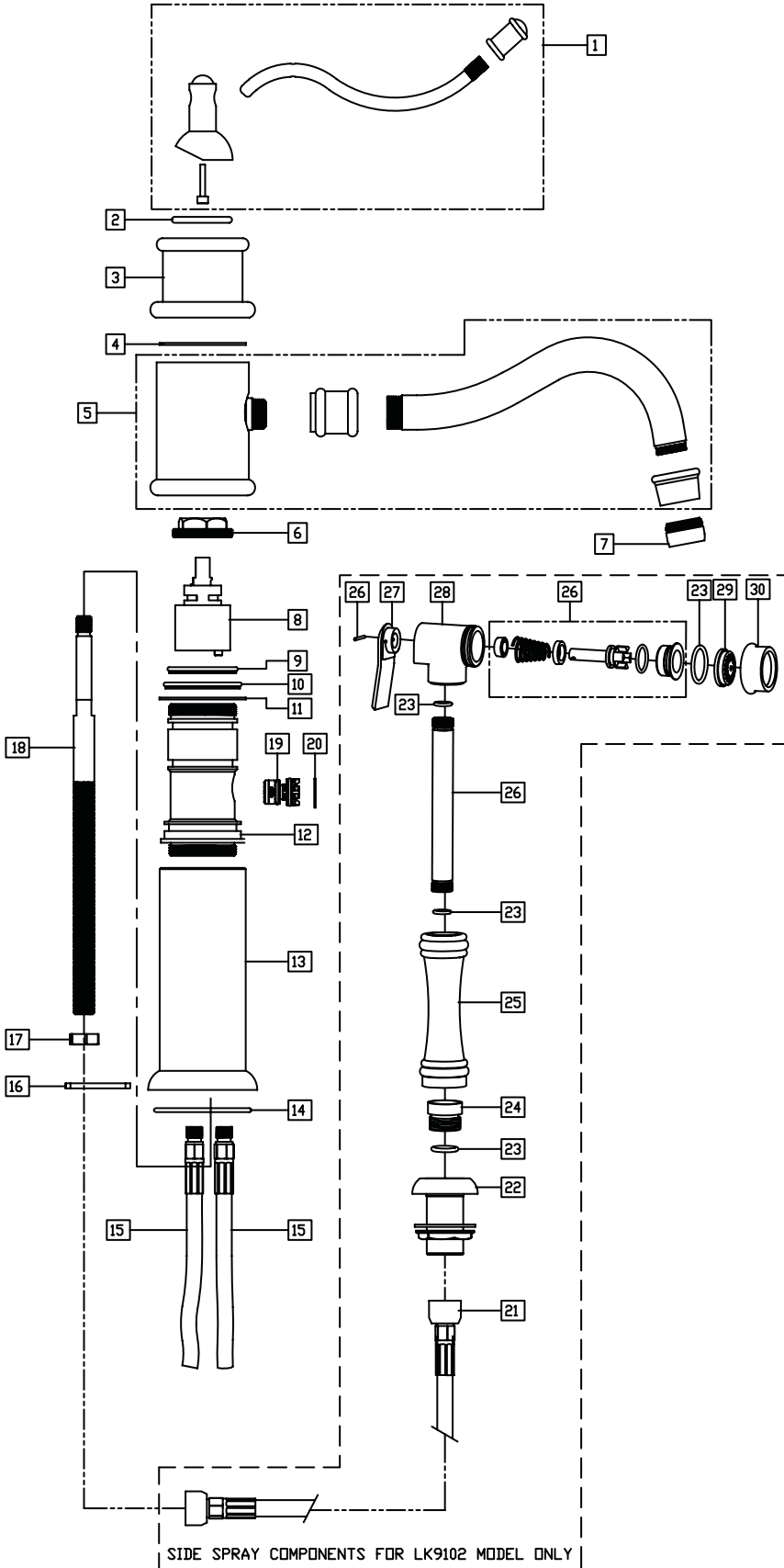
COMPLIES WITH:

- ADA - LK9101 model only
- ANSI/NSF61
- ASME 112.18.1/CSA B125.1 - Certified
- CA AB1953/VT S152
- cUPC - Certified



SEE OTHER SIDE FOR REPLACEMENT PARTS

Oldare™ Single Handle Kitchen Faucet Models LK9101 and LK9102



FINISH CODE	FINISH CODE	DESCRIPTION
AB	_047	ANTIQUÉ BRASS
CR	_026	POLISHED CHROME
NK	_015	BRUSHED NICKEL
OEB	_OEB	OLD ENGLISH BRASS
PB	_003	POLISHED BRASS
PN	_014	POLISHED NICKEL
PW	_15A	PEWTER
RB	_11B	ANTIQUÉ BRONZE

* - DESIGNATES A PART THAT WILL NEED THE FINISH CODE (FROM THE TOP CHART) ADDED TO THE END FOR ORDERING. I.E. LK755CR
 ** - DESIGNATES A PART THAT WILL NEED THE FINISH CODE (FROM THE TOP CHART) ADDED TO THE END FOR ORDERING. I.E. M501L_047

ITEM	IND. PART	KIT. PART	DESCRIPTION
1	N/A	LK755*	HANDLE ASSEMBLY
2	P37041		
3	P01100**	N/A	WASHER
4	P35032	N/A	WASHER
5	N/A	LK766*	SPOUT ASSEMBLY
6	P29034	N/A	NUT
7	N/A	M501L**	AERATOR ASSEMBLY
8	P29033	N/A	CARTRIDGE ASSEMBLY
9	P37043	N/A	O-RING
10	P37040	N/A	O-RING
11	P35032	N/A	WASHER
12	P28037	N/A	BODY
13	N/A	LK765*	BASE ASSEMBLY
14	P37124	N/A	O-RING
15	P47001XX	N/A	SUPPLY HOSE
16	P35179	LK761	MOUNTING HARDWARE
17	P35248		
18	P30025 P30024	N/A	LK9101 SHANK LK9102 SHANK
19	P29035	N/A	DIVERTER
20	P28045	N/A	RETAINING RING
21	P45001XX	N/A	SUPPLY HOSE
22	N/A	LK767*	SPRAY NEST ASSEMBLY
23	P45010	LK762*	SIDE SPRAY ASSEMBLY
24	P45007		
25	P45005*		
26	P45002NL		
27	P45009*		
28	P45006*		
29	P45008		
30	P45003*		