

**Hi-Arc® Dual Handle Bar Faucet
Models LKDA2448 and LKD2448BH****FEATURES****Model LKD2448BH**

- Two hole top mount faucet
 - Two 1-1/2" (38mm) faucet holes required
 - Maximum countertop thickness 1-1/8" (29mm)
- Tubular high-arc 360° swing spout with restricted flow aerator
- Dual- 4" (102mm) blade handle faucet
- Stainless steel escutcheon
- Removable ceramic disc cartridges
- A 90° turn of the handle controls water from drip-free off to full on
- Ship Wt. 4 lbs. (1.8Kg)
- Maximum flow rate
 - 2.5 GPM/9.5 L/min at 80 P.S.I.G.
 - 2.2 GPM/8.3 L/min at 60 P.S.I.G.

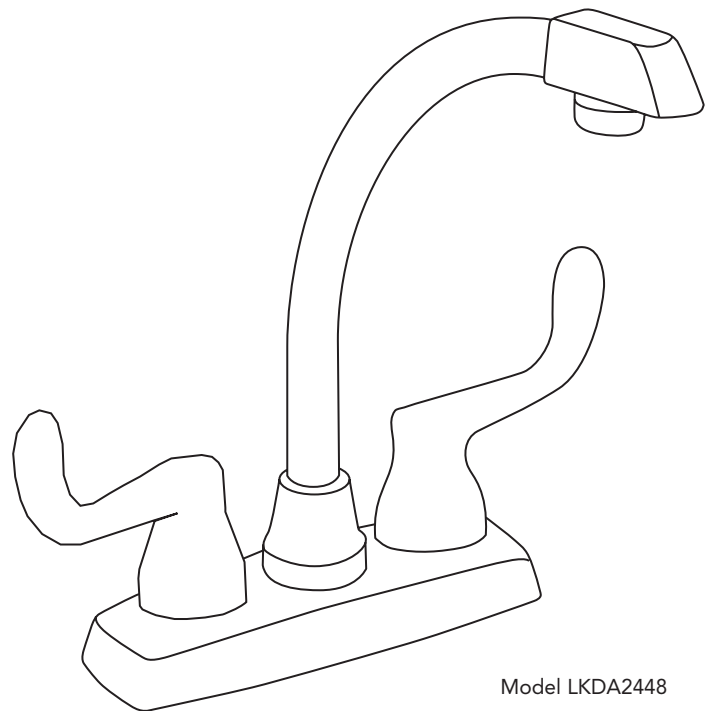
Model LKDA2448 - Unavailable for purchase as of 3/09

WARRANTY

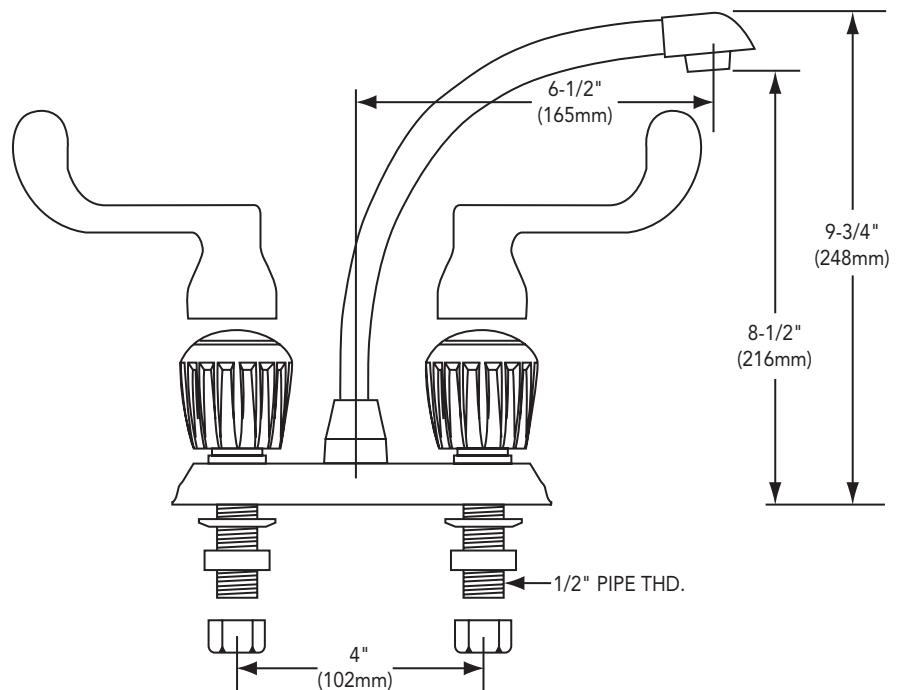
- Limited Lifetime

COMPLIES WITH:

- ADA
 - LKD2448BH model only
- ANSI/NSF61 - Certified
- ASME 112.18.1/CSA B125-01
- CA AB1953/VT S152

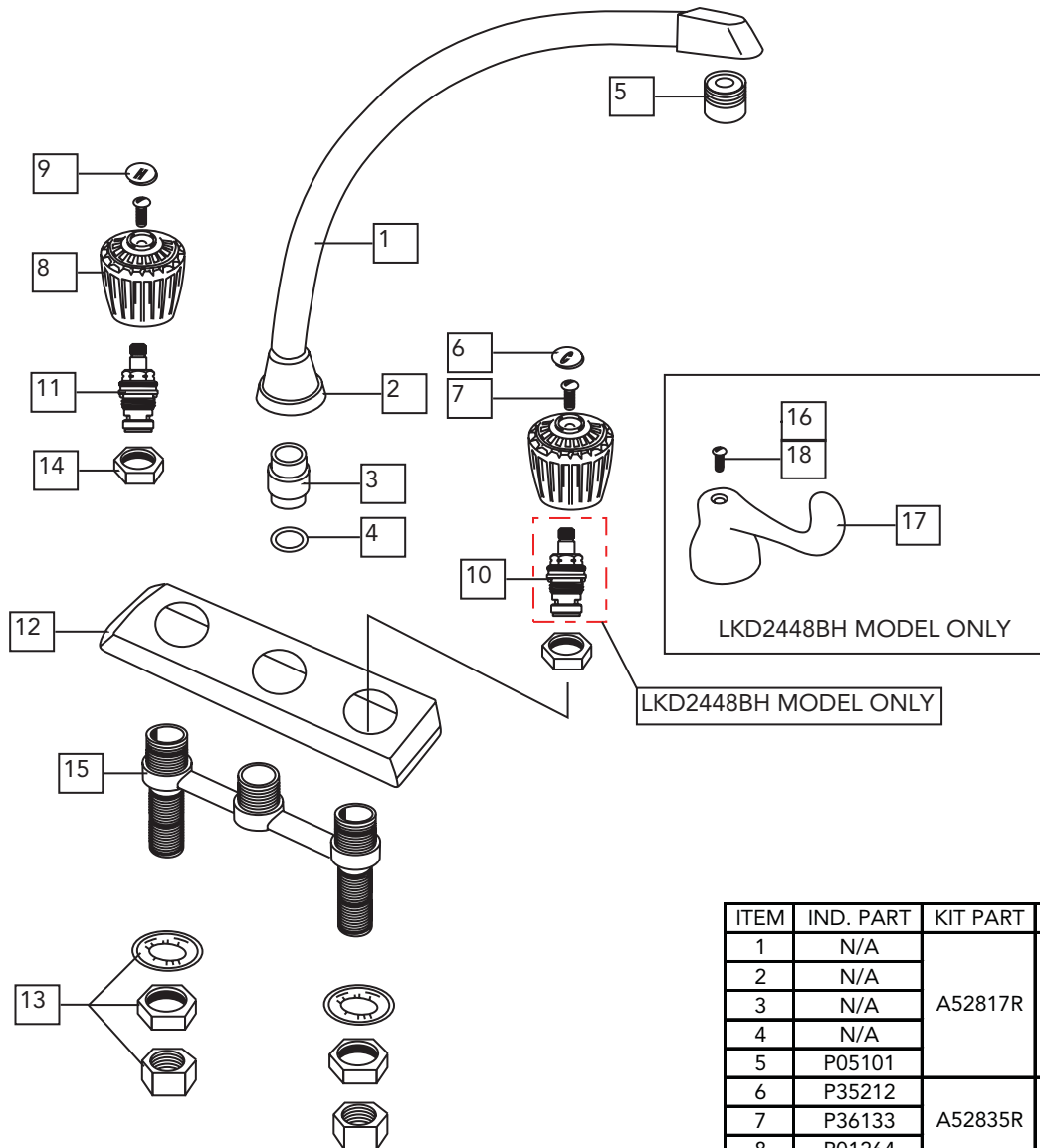


Model LKDA2448



SEE OTHER SIDE FOR REPLACEMENT PARTS

Hi-Arc® Dual Handle Bar Faucet Models LKDA2448 and LKD2448BH



*Parts ending in NL effective 10/1/2009. Prior to 10/1/2009 order part less NL suffix.

ITEM	IND. PART	KIT PART	DESCRIPTION
1	N/A	A52817R	SPOUT ASSEMBLY
2	N/A		
3	N/A		
4	N/A		
5	P05101		
6	P35212	A52835R	RH HANDLE ASSEMBLY
7	P36133		
8	P01264		
7	P36133	A52834R	LH HANDLE ASSEMBLY
8	P01264		
9	P35211		
10	P29121NL	N/A	RH CARTRIDGE
11	P29122NL	N/A	LH CARTRIDGE
12	P02105	N/A	ESCUTCHEON
13	P35100	N/A	MOUNTING HARDWARE
14	P02163	N/A	NUT
15	P47030	N/A	BODY
16	P36115	A55180R	RH BH HANDLE ASSEMBLY
17	P01241		
17	P01241	A55179R	LH BH HANDLE ASSEMBLY
18	P36114		