

FEATURES

Model LKD208513

- Single hole top mount installation
 - 1-1/2" (38mm) faucet hole required
 - Maximum countertop thickness 7/8" (22mm)
- Right hand single handle faucet
- Rigid spout, overall height 13" (330mm)
- Removable cartridge
- Solid brass construction
- 1/2" (13mm) I.P. connections
- Highly polished, chrome plated finish
- Ship Wt. 4 lbs. (1.8Kg)
- Maximum flow rate
 - 2.5 GPM/9.5 L/min at 80 P.S.I.G.
 - 2.2 GPM/8.3 L/min at 60 P.S.I.G.

Model LKD208513L

- Same as LKD208513 except with handle on the left side

Model LKDVR208513

- Same as LKD208513 except with vandal-resistant aerator, handle screw, and factory installed anti-rotation pins

Model LKDVR208513L

- Same as LKDVR208513 except with handle on the left side

Model LKD20858

- Same as LKD208513 except with overall spout height of 8" (203mm)
- Ship Wt. 2 lbs. (0.9Kg)

Model LKD20858L

- Same as LKD20858 except with handle on the left side

WARRANTY

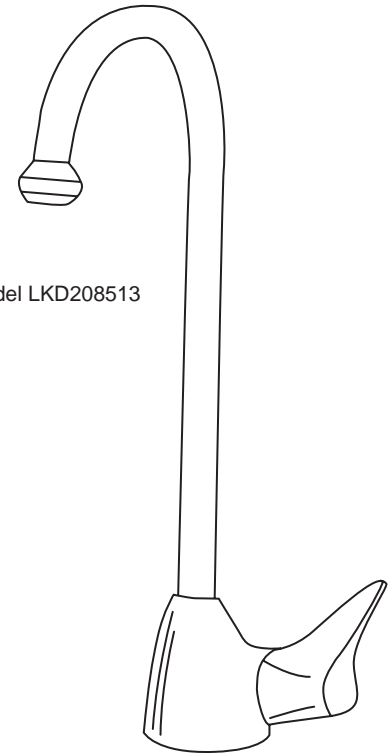
- Limited Lifetime

COMPLIES WITH:

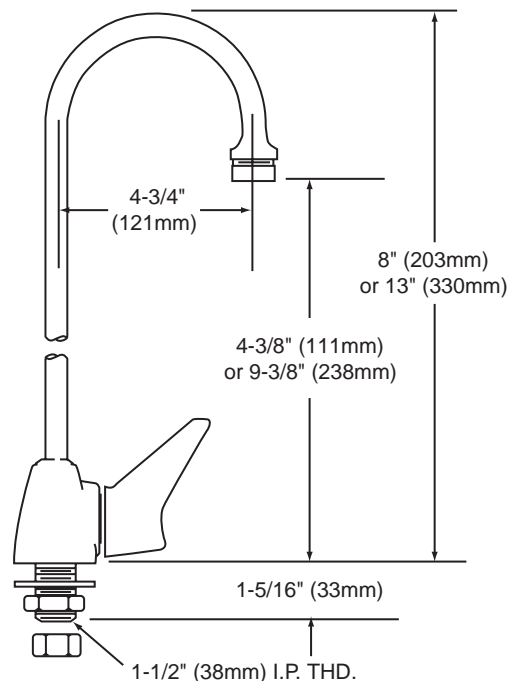
- ADA
- ANSI/NSF61 - Certified
- ASME 112.18.1/CSA B125.1
- CA AB1953/VT S152



Single Handle Hospitality Faucet Models LKD20858, LKD20858L, LKD208513, LKD208513L, LKDVR208513, and LKDVR208513L

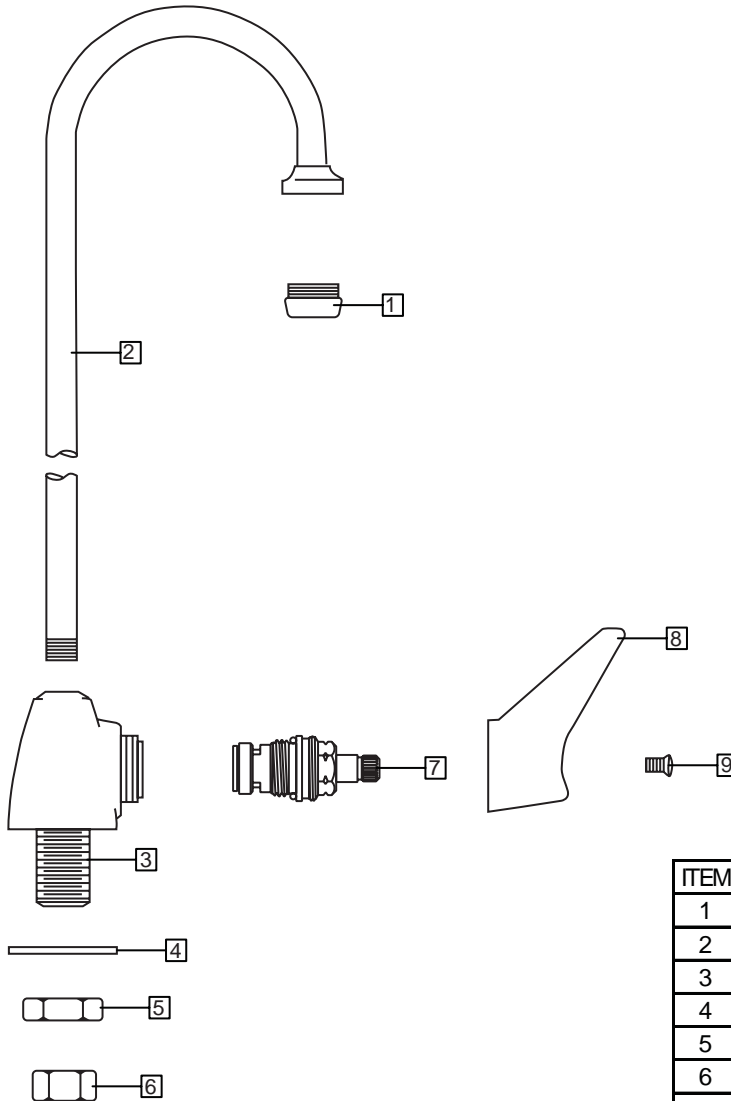


Model LKD208513



SEE OTHER SIDE FOR REPLACEMENT PARTS

**Single Handle Hospitality Faucet
Models LKD20858, LKD20858L, LKD208513,
LKD208513L, LKDVR208513, and LKDVR208513L**



ITEM	IND. PART	KIT PART	DESCRIPTION
1	SEE CHART	SEE CHART	AERATOR
2	N/A		SPOUT ASSEMBLY
3	P474991NL	N/A	BODY
4	SEE CHART	N/A	WASHER
5	A51266	N/A	LOCK NUT
6	P02103	N/A	COUPLING NUT
7	SEE CHART	N/A	CARTRIDGE
8	P01265	N/A	HANDLE
9	SEE CHART	N/A	SCREW

FAUCET	AERATOR	SPOUT ASSM	WASHER	CARTRIDGE	SCREW
LKD20858	P05101	A51589	P35163	P29121NL	P36120
LKD20858L	P05101	A51589	P35163	P29122NL	P36120
LKD208513	P05101	A51590	P35163	P29121NL	P36120
LKD208513L	P05101	A51590	P35163	P29122NL	P36120
LKDVR208513	A55061	A51590	A54883	P29121NL	A75063
LKDVR208513L	A55061	A51590	A54883	P29122NL	A75063