

## Dual Handle Kitchen Faucet Model LKD232SBH5

### FEATURES

#### Model LKD230BH5

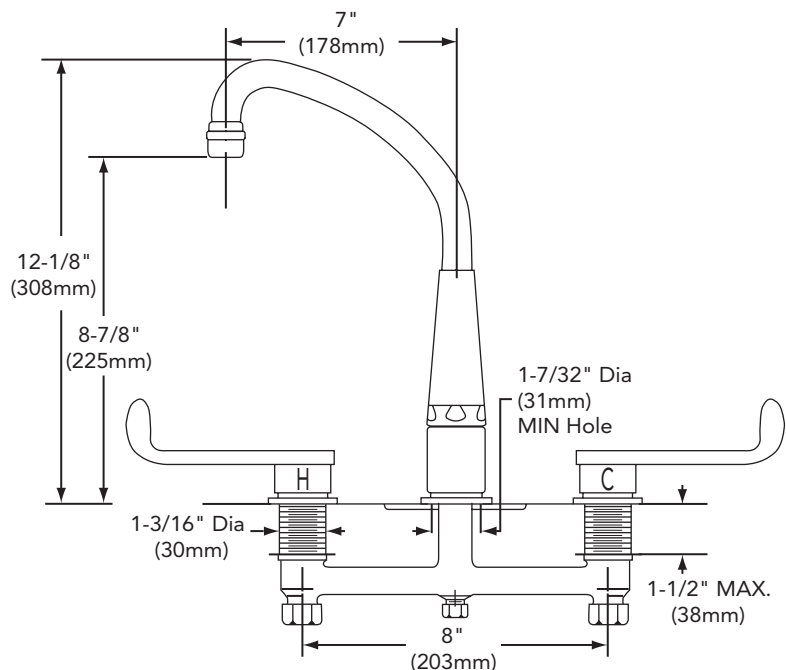
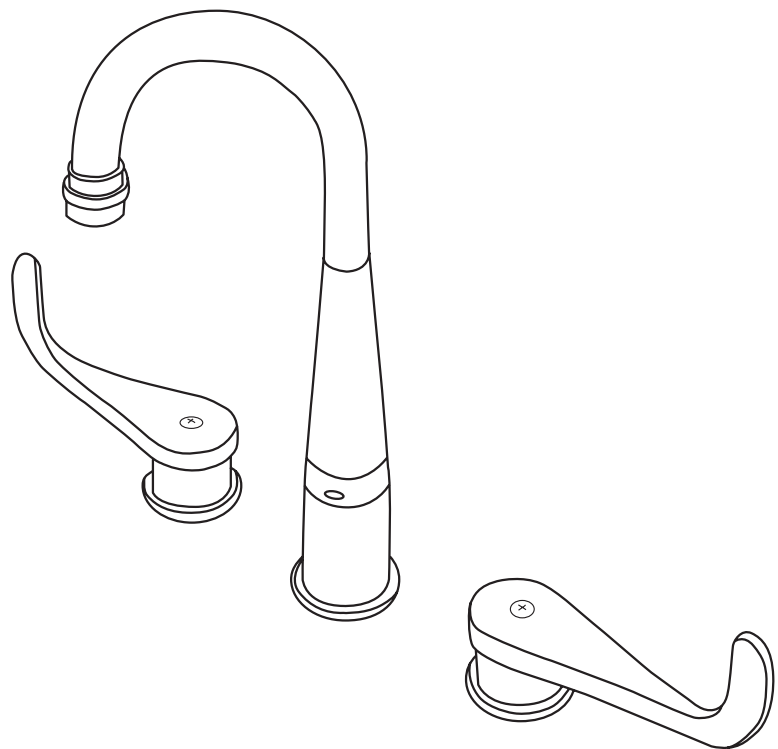
- Three hole, concealed mount dual handle kitchen faucet
  - Three 1-7/32" (31mm) diameter faucet holes required
  - Maximum countertop thickness is 1-1/8" (28mm)
- 70° swing spout with restricted flow aerator and brass escutcheon and handles.
- Highly polished, chrome plated finish
- Removable cartridge
- 1/2" (13mm) I.P. connections on 8" (203mm) centers.
- Ship Wt. 7 lbs. (3.2Kg)
- Maximum flow rate
  - 2.5 GPM/9.5 L/min at 80 P.S.I.G.
  - 2.2 GPM/8.3 L/min at 60 P.S.I.G.

### WARRANTY

- Limited Lifetime

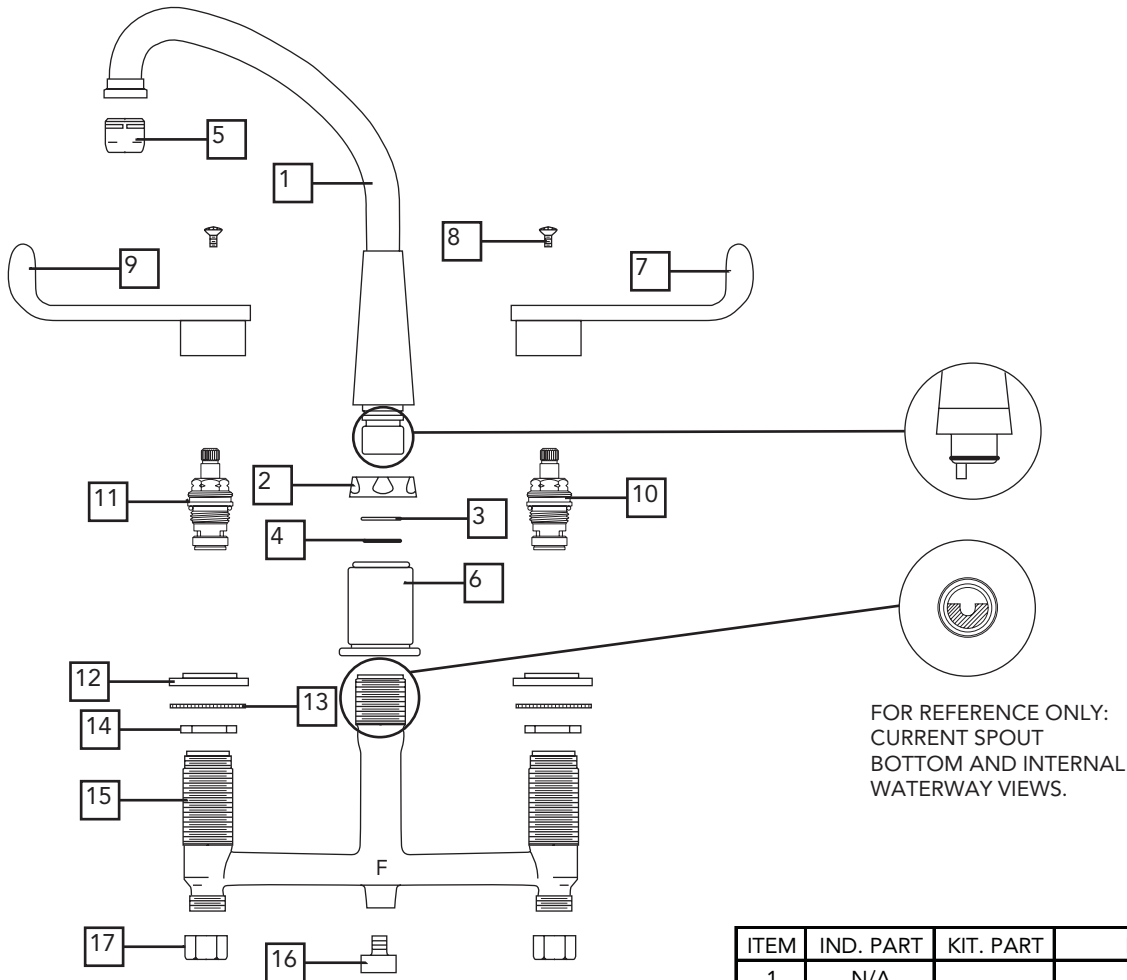
### COMPLIES WITH:

- ADA
- ANSI/NSF61 - Certified
- ASME 112.18.1/CSA B125-01
- CA AB1953/VT S152

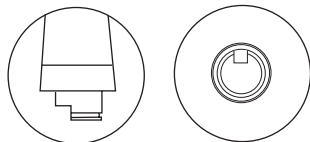


SEE OTHER SIDE FOR REPLACEMENT PARTS

### Dual Handle Kitchen Faucet Model LKD232SBH5



FOR REFERENCE ONLY:  
CURRENT SPOUT  
BOTTOM AND INTERNAL  
WATERWAY VIEWS.



FOR REFERENCE ONLY:  
OBSOLETE SPOUT  
BOTTOM AND INTERNAL  
WATERWAY VIEWS.

ITEM	IND. PART	KIT. PART	DESCRIPTION
1	N/A	A54968R	SPOUT ASSEMBLY
2	N/A		
3	N/A		
4	N/A		
5	P05101		ESCUTCHEON
7	P01269	A73329R	RH HANDLE ASSEMBLY
8	P36120	A73328R	LH HANDLE ASSEMBLY
8	P36120		
9	P01269		
10	P29121NL	N/A	RH CARTRIDGE
11	P29122NL	N/A	LH CARTRIDGE
12	P35162	N/A	LOCKNUT
13	P35174	N/A	WASHER
14	P35144	N/A	LOCKNUT
15	P47033NL	A74975R	BODY ASSEMBLY
16	N/A		
17	P02103	N/A	COUPLING NUT

\*Parts ending in NL effective  
10/1/2009. Prior to 10/1/2009  
order part less NL suffix.