

Dual Handle Kitchen Faucet Model LKD232S

FEATURES

Model LKD230BH5

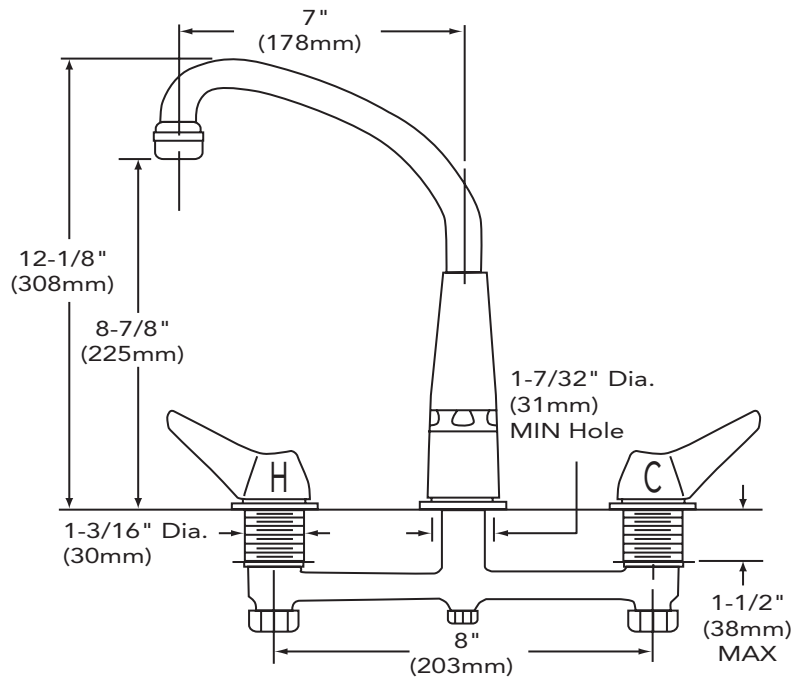
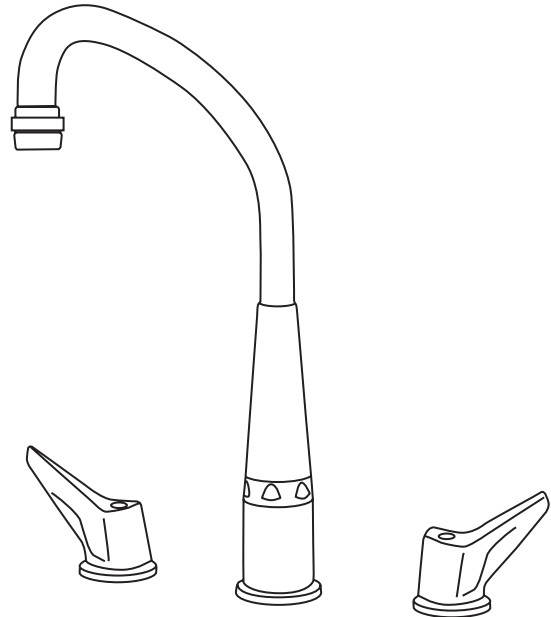
- Three hole, concealed mount dual handle kitchen faucet
 - Three 1-7/32" (31mm) diameter faucet holes required
 - Maximum countertop thickness is 1-1/8" (28mm)
- 70° swing spout with restricted flow aerator, brass escutcheon
- Highly polished, chrome plated finish
- Removeable cartridge
- 1/2" (13mm) I.P. connections on 8" (203mm) centers.
- Ship Wt. 6-1/2 lbs. (3Kg)
- Maximum flow rate
 - 2.5 GPM/9.5 L/min at 80 P.S.I.G.
 - 2.2 GPM/8.3 L/min at 60 P.S.I.G.

WARRANTY

- Limited Lifetime

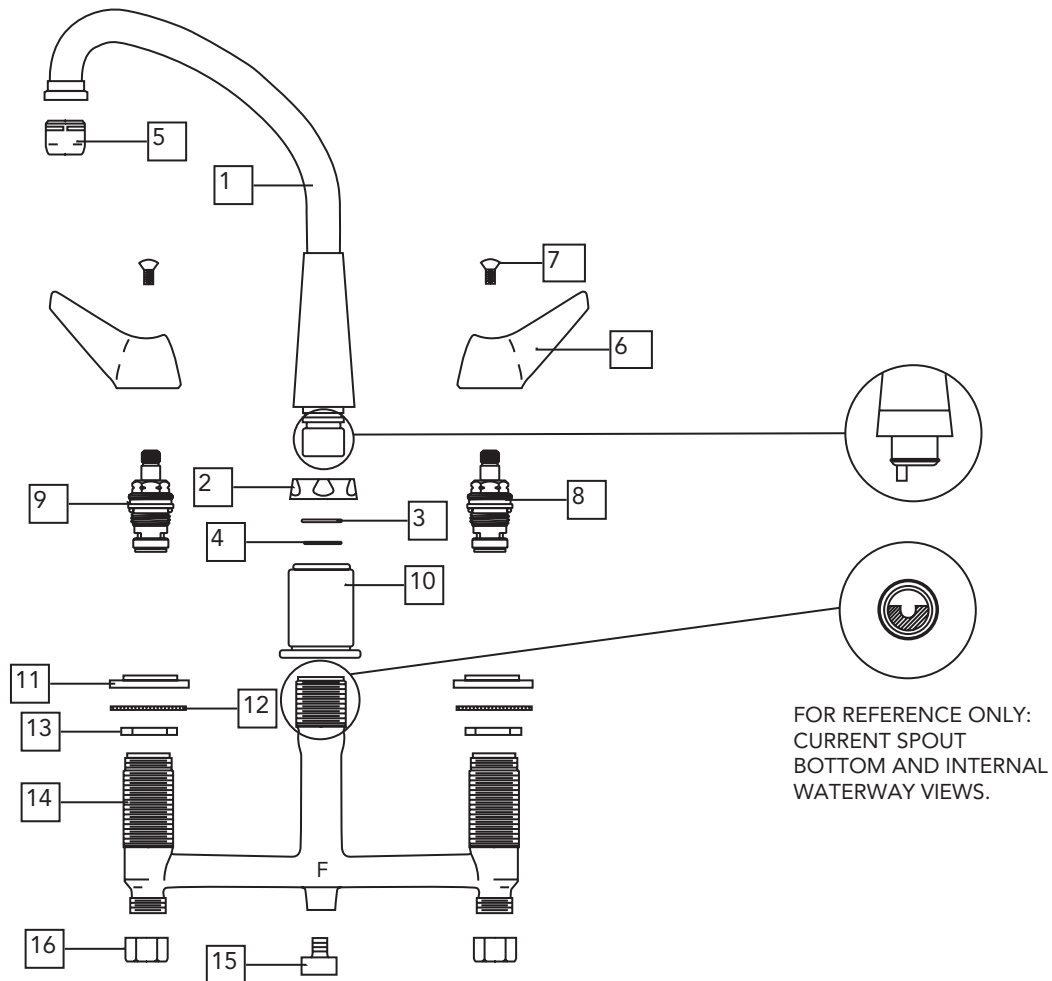
COMPLIES WITH:

- ADA
- ANSI/NSF61 - Certified
- ASME 112.18.1/CSA B125-01
- CA AB1953/VT S152

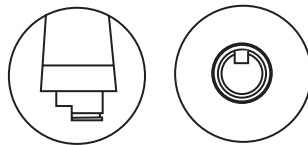


SEE OTHER SIDE FOR REPLACEMENT PARTS

Dual Handle Kitchen Faucet Model LKD232S



FOR REFERENCE ONLY:
CURRENT SPOUT
BOTTOM AND INTERNAL
WATERWAY VIEWS.



FOR REFERENCE ONLY:
OBSOLETE SPOUT
BOTTOM AND INTERNAL
WATERWAY VIEWS.

ITEM	IND. PART	KIT. PART	DESCRIPTION
1	N/A	A54968R	SPOUT ASSEMBLY
2	N/A		
3	N/A		
4	N/A		
5	P05101	A72425R	HANDLE ASSEMBLY
6	P01265		
7	P36120	N/A	RH CARTRIDGE
8	P29121NL	N/A	LH CARTRIDGE
9	P29122NL	N/A	ESCUTCHEON
10	P02101	N/A	LOCKNUT
11	P35162	N/A	WASHER
12	P35174	N/A	LOCKNUT
13	P35144	N/A	BODY ASSEMBLY
14	P47033NL	A74975R	
15	N/A	N/A	COUPLING NUT
16	P02103	N/A	

*Parts ending in NL effective
10/1/2009. Prior to 10/1/2009
order part less NL suffix.