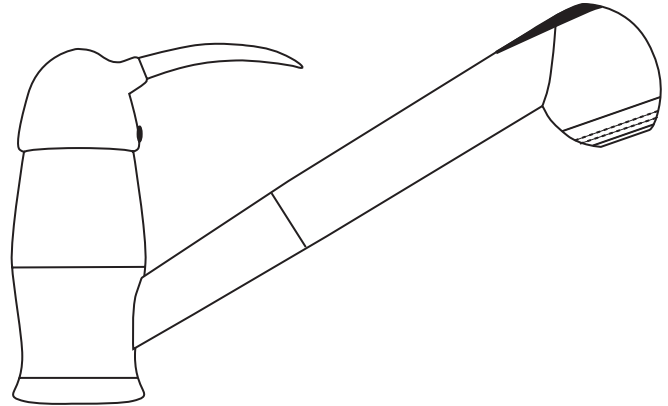


**Ferrara® Single Handle Kitchen Faucet
Model LK7620****FEATURES**

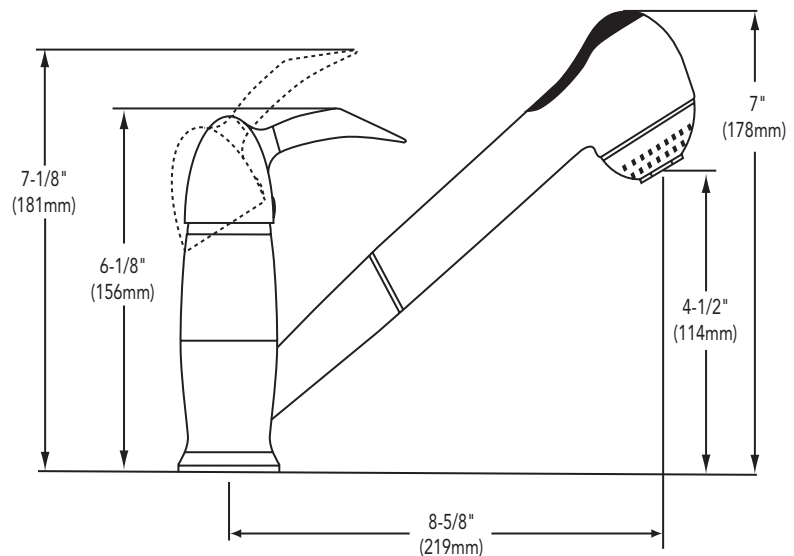
- Single hole top mount installation
 - 1-1/2" (38mm) diameter faucet hole required
 - Maximum countertop thickness 1-1/2" (38mm)
- Single-lever faucet with spray and stream pull-out spray
- 360° swing spout body with solid brass construction
- Removable ceramic disc cartridge
- Flexible supply tubes with 1/2" (13mm) male I.P.S. adapters.
- Available in the following colors & finishes
 - Chrome LK7620CR
 - Brushed chrome LK7620BC
 - Brushed nickel LK7620NK
- Ship Wt. 5.25 lbs. (2.4Kg)
- Due to the weight of this faucet, Elkay recommends that it be installed to an 18" (457mm) gauge stainless steel sink (or heavier) or to a solid surface countertop
- Maximum flow rate
 - 2.5 GPM/9.5 L/min at 80 P.S.I.G
 - 2.2 GPM/8.3 L/min at 60 P.S.I.G

**WARRANTY**

- Limited Lifetime

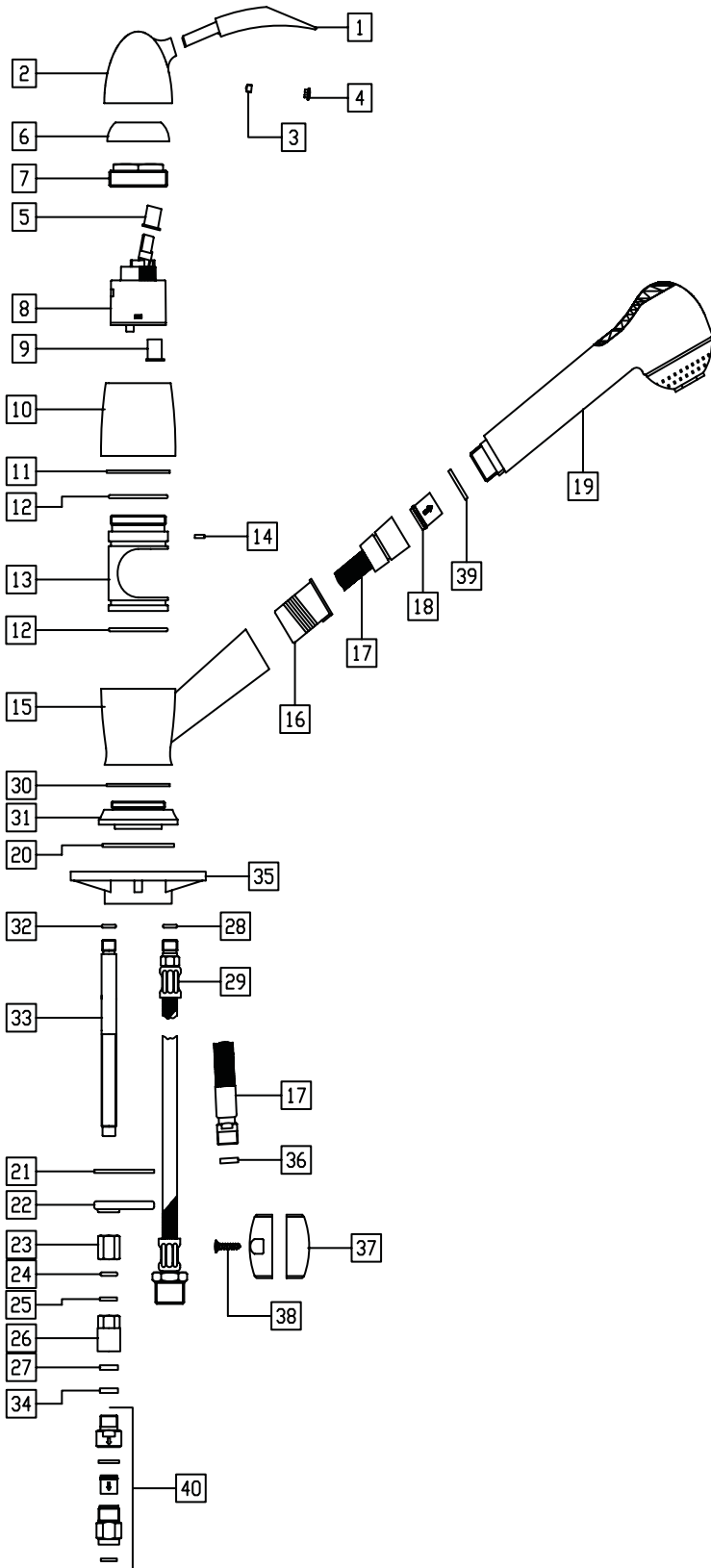
COMPLIES WITH:

- ANSI/NSF61-CERTIFIED
- ASME A112.18.1-05/CSA B125.1-2005-CERTIFIED
- CA AB1953/VT S152
- cUPC-CERTIFIED
- UPC-CERTIFIED



SEE OTHER SIDE FOR REPLACEMENT PARTS

Ferrara® Single Handle Kitchen Faucet Model LK7620



ITEM	PART	DESCRIPTION
1		
2	A55956R - CHROME	LEVER HANDLE ASSEMBLY
3	A55957R - BRUSHED NICKEL	
4	A55958R - BRUSHED CHROME	
5		
6	N/A	N/A
7		
8	A56104R	CARTRIDGE
9	A56117R	GREEN WASHER
10		
11		
12		
13	N/A	N/A
14		
15		
16		
17	A56118R	GREY FLEX HOSE
18		
19	A56113R - CHROME A56129R - BRUSHED NICKEL A56130R - BRUSHED CHROME	HAND SHOWER ASSEMBLY
20		
21		
22		
23		
24	A56023R	HARDWARE
25		
26		
27		
28	A56097R	SUPPLY HOSE
29		
30		
31		
32		
33		
34		
35	N/A	N/A
36		
37		
38		
39		
40		