

## Arezzo® Single Handle Kitchen Faucet Models LK7420 and LKLF7420

### FEATURES

#### Model LK7420

- Pre-rinse faucet
- Single lever top mount installation
  - 1-1/2" (38mm) diameter faucet hole required
  - Maximum countertop thickness 1-1/2" (38mm)
- Solid brass construction
- Removable ceramic disc cartridge
- 360° swing base and spout
- 3/8" (10mm) O.D. flexible supply tubes with 1/2" (13mm) male I.P.S. adapters.
- Available in the following colors & finishes
  - Chrome LK7420CR
  - Brushed chrome LK7420BC
  - Brushed nickel LK7420NK
- Ship Wt. 7.75 lbs. (3.5Kg)
- Due to the weight of this faucet, Elkay recommends that it be installed to an 18" (457mm) gauge stainless steel sink (or heavier) or to a solid surface countertop
- Maximum flow rate
  - 2.5 GPM/9.5 L/min at 80 P.S.I.G
  - 2.2 GPM/8.3 L/min at 60 P.S.I.G

#### Model LKLF7420

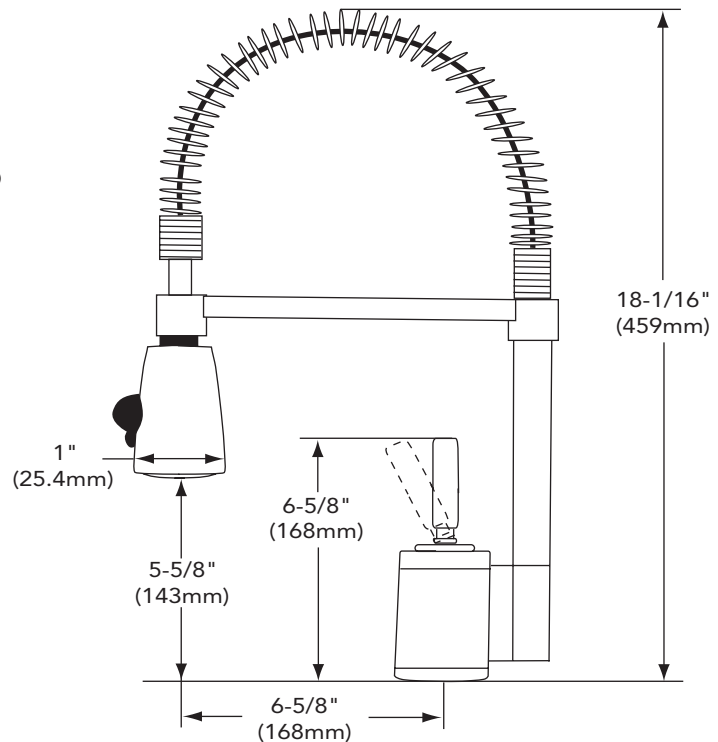
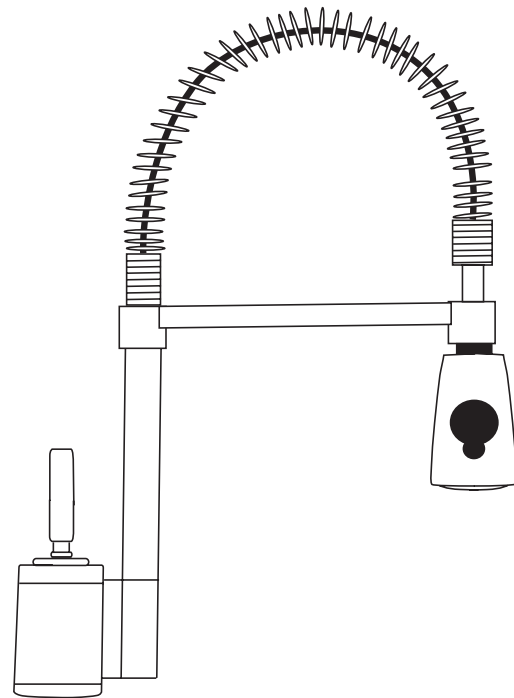
- Same as LK7420 except with a 1.5 GPM aerator
- Available in the following colors & finishes
  - Chrome LK7420CR
  - Brushed nickel LK7420NK
- Maximum flow rate
  - 1.5 GPM/5.7 L/min at 60 P.S.I.G

### WARRANTY

- Limited Lifetime

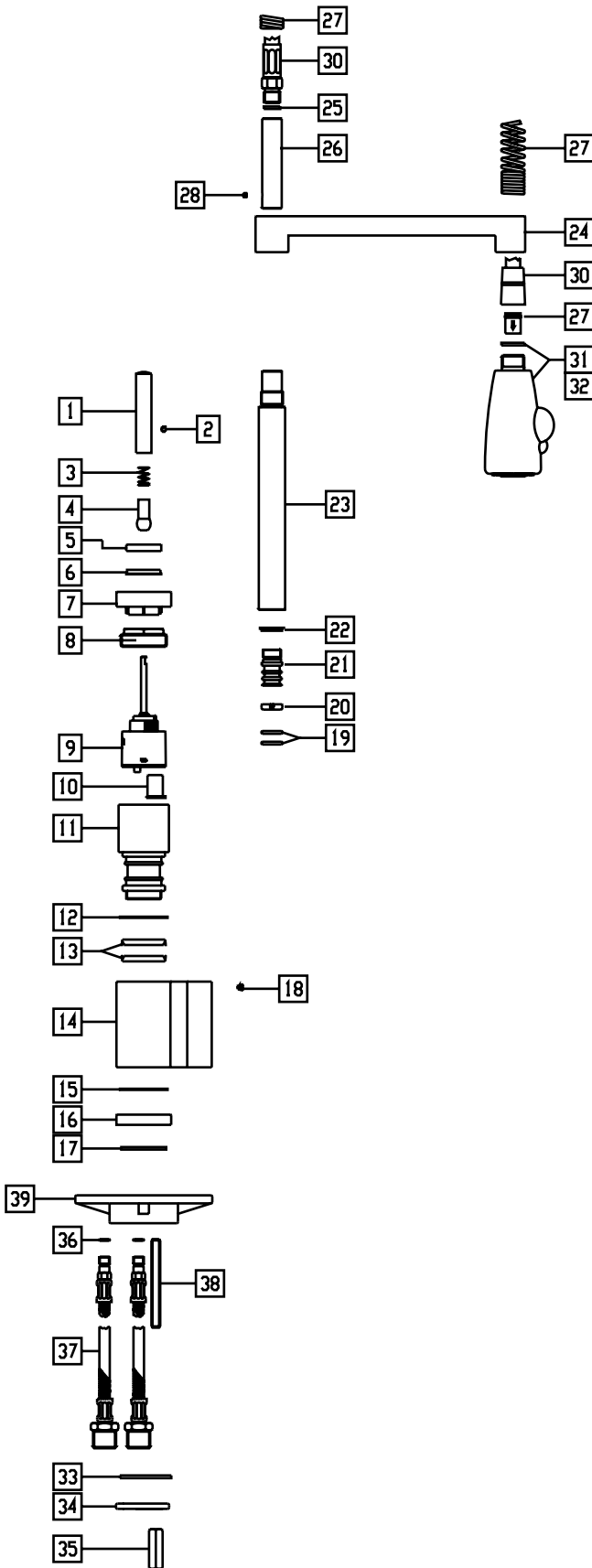
### COMPLIES WITH:

- ANSI/NSF61-CERTIFIED
- ASME A112.18.1-05/CSA B125.1-2005-CERTIFIED
- CA AB1953/VT S152
- cUPC-CERTIFIED
- UPC-CERTIFIED



SEE OTHER SIDE FOR REPLACEMENT PARTS

### Arezzo® Single Handle Kitchen Faucet Models LK7420 and LKLF7420



ITEM	PART	DESCRIPTION
1		
2		
3	A55960R - CHROME	LEVER HANDLE ASSEMBLY
4	A55961R - BRUSHED NICKEL	
5	A55962R - BRUSHED CHROME	
6		
7		
8	N/A	N/A
9	A56103R	CARTRIDGE
10	A56117R	GREEN WASHER
11		
12	N/A	N/A
13		
14		
15		
16	A56025R	HARDWARE KIT
17		
18	N/A	N/A
19	A56115R	O-RING
19		
20		
21		
22		
23		
24	A55994R - CHROME	SPOUT ASSEMBLY
25	A55995R - BRUSHED NICKEL	
26	A55996R - BRUSHED CHROME	
27		
28		
29		
30		
30	A56120R	FLEX HOSE
31	A56114R - CHROME A56131R - BRUSHED NICKEL A56132R - BRUSHED CHROME	HAND SHOWER ASSEMBLY (FOR LK7420 MODELS ONLY)
32	A56158R - CHROME A56159R - BRUSHED NICKEL	HAND SHOWER ASSEMBLY (FOR LKLF7420 MODELS ONLY)
33	N/A	N/A
34		
35	A56025R	HARDWARE KIT
36	A56095R	SUPPLY HOSES (2 PAIR, 1 RED & 1 BLUE)
37		
38	N/A	N/A
39		