

DAYTON® SPECIFICATIONS

Dayton® Elite Single Bowl Sink Models DSEW12522 and DSEJW12522

GENERAL

Sink is formed of #20 gauge, 300 series, nickel-bearing stainless steel. Top mount.

DESIGN FEATURES

Bowl Depth: 8-1/16" (205mm).

Faucet Deck: Raised.

Coved Corners: 4" (102mm) vertical and 3-1/4" (83mm) horizontal radius.

Finish: Exposed surfaces are polished to a Elite Satin finish.

Underside: Undercoated on bottom of bowl to reduce condensation and dampen sound.

OTHER

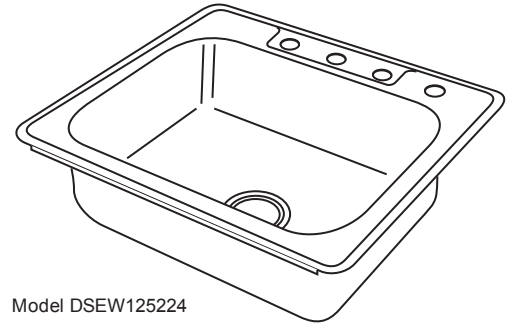
Drain Opening: 3-1/2" (89mm).

Note: Unless otherwise specified, sink is furnished with 4 faucet holes as shown.

Master Pack: Sinks are nested with rim wrappers in quantities of 10 or 40.

Installation Hardware: Included for 3/4" (19mm) countertop.

These sinks comply with ASME A112.19.3-2008/CSAB45.4-08.



Model DSEW125224



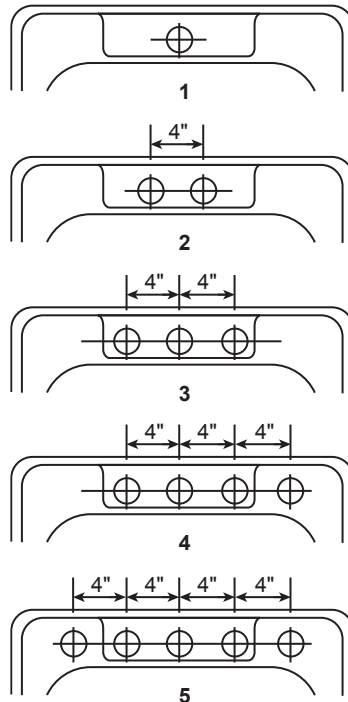
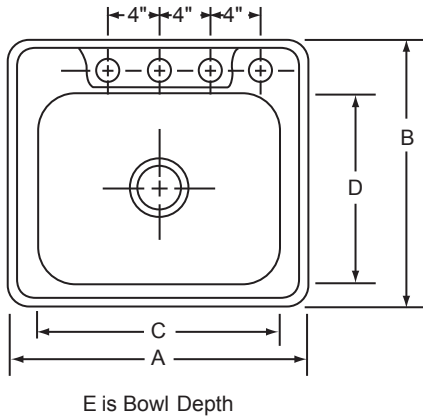
SINK DIMENSIONS*

U-Channel Model Number	J-Channel Model Number	Master Pack	Overall		Inside Bowl			Cutout in Countertop (1-1/2" (38mm) Radius Corners)		No of 1-1/2" (38mm) Faucet Holes	Minimum Cabinet Size
			L	W	L	W	D	L	W		
			A	B	C	D	E				
DSEW1012522	DSEJW1012522**	10	25	22	21	15 3/4	8 1/16	24 3/8	21 3/8	1,2,3,4 or 5	30
			635 (mm)	559 (mm)	356 (mm)	400 (mm)	205 (mm)	619 (mm)	543 (mm)		76 (mm)
DSEW4012522	DSEJW4012522**	40	25	22	21	15 3/4	8 1/16	24 3/8	21 3/8	1,2,3,4 or 5	30
			635 (mm)	559 (mm)	356 (mm)	400 (mm)	205 (mm)	619 (mm)	543 (mm)		762 (mm)

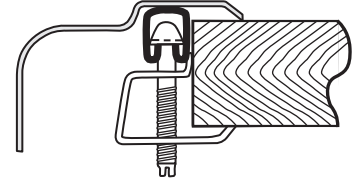
*Length is left to right. Width is front to back.

**DSEJW models available in 3 or 4 hole only.

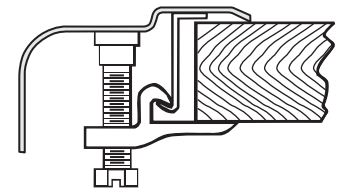
HOLE DRILLING CONFIGURATIONS



U-Channel Type Mounting System



J-Channel Type Mounting System



In keeping with our policy of continuing product improvement, Elkay reserves the right to change product specifications without notice.

This specification describes an Elkay product with design, quality and functional benefits to the user. When making a comparison of other producers' offerings, be certain these features are not overlooked.