

# DAYTON<sup>®</sup> SPECIFICATIONS

## Dayton<sup>®</sup> Undermount Single Bowl Sink Model DXUH1618

### GENERAL

Sink is formed of #18 gauge, type 301 nickel bearing stainless steel.

### DESIGN FEATURES

Bowl Depth: 8".

Finish: Exposed surfaces are polished to a satin finish.

Underside: Sound dampening pad with spray undercoating to dampen sound and prevent condensation.

### OTHER

Drain Opening: 3-1/2".

NOTE: All Dayton undermount sinks are designed to affix to the underside of any solid surface countertop.



This sink complies with ASME A112.19.3.



This sink is listed by the International Association of Plumbing and Mechanical Officials as meeting the requirements of the Uniform Plumbing Code.

### OPTIONAL ACCESSORIES

Bottom Grid: LKWBG1415SS.

Cutting Board: CB1516 (Sink must be installed with a 1/2" reveal for cutting board to fit properly).

Drain: D1125.

Rinsing Basket: LKWRB1316SS.

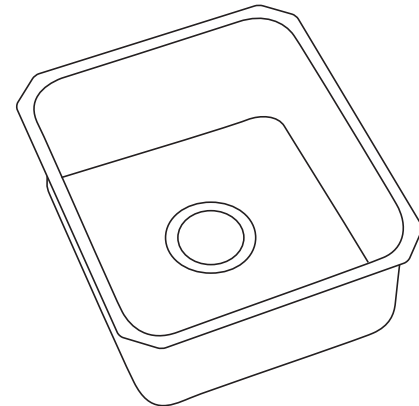
Utensil Caddy: LKWUCSS.

### SINK DIMENSIONS (INCHES)\*

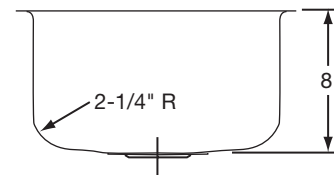
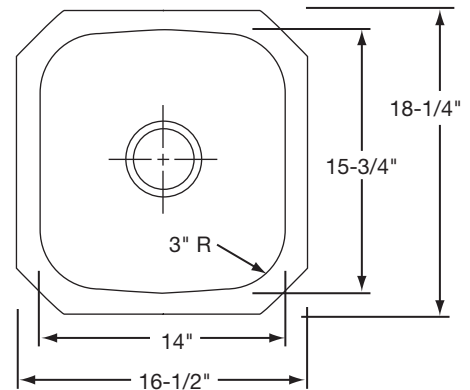
Model Number	Overall		Inside Bowl			Cutout in Countertop	Minimum Cabinet Size
	L	W	L	W	D		
DXUH1618	16 1/2	18 1/4	14	15 3/4	8	See Template**	21

\*Length is left to right. Width is front to back.

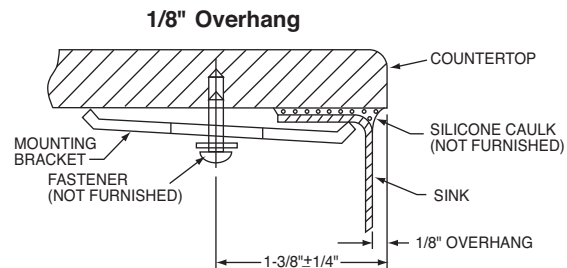
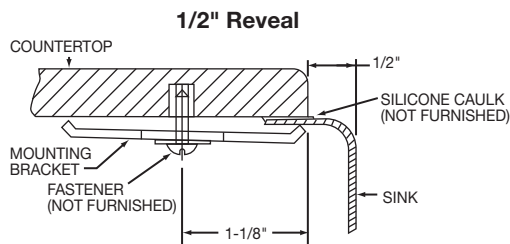
\*\*Template and countertop mounting clips are packed with every sink.



Model DXUH1618



### Dual Template Mounting Option



ALL DIMENSIONS IN INCHES, TO CONVERT TO MILLIMETERS MULTIPLY BY 25.4.

In keeping with our policy of continuing product improvement, Elkay reserves the right to change product specifications without notice. Please visit [elkayusa.com](http://elkayusa.com) for most current version of Elkay product specification sheets.

This specification describes an Elkay product with design, quality and functional benefits to the user. When making a comparison of other producers' offerings, be certain these features are not overlooked.

Elkay

[elkayusa.com](http://elkayusa.com)

2222 Camden Court  
Oak Brook, IL 60523

Printed in U.S.A.  
©2008 Elkay

(Rev. 6/08) 2-65A