

DAYTON SPECIFICATIONS

Dayton® Undermount Double Bowl Sink Model DUH3120R

GENERAL

Sink bowls are seamlessly drawn of #20 gauge nickel bearing stainless steel.

DESIGN FEATURES

Bowl Depth: 8".

Underside: Fully undercoated to dampen sound and prevent condensation.

OTHER

Drain Openings: 3-1/2".

NOTE: All Dayton undermount sinks are designed to affix easily to the underside of any solid surface countertop.

OPTIONAL ACCESSORIES

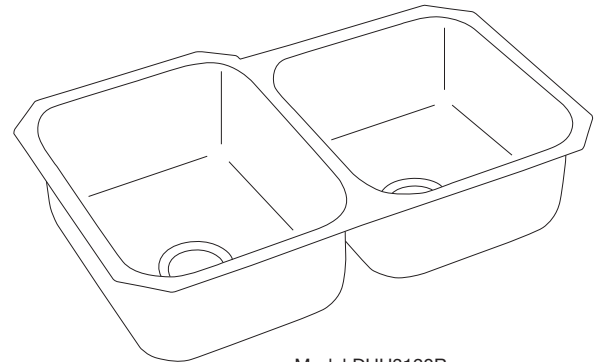
Cutting Board: CB1516.

SINK DIMENSIONS (INCHES)*

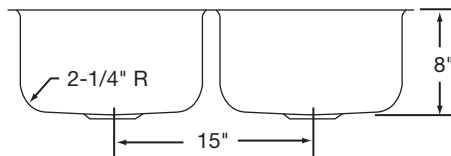
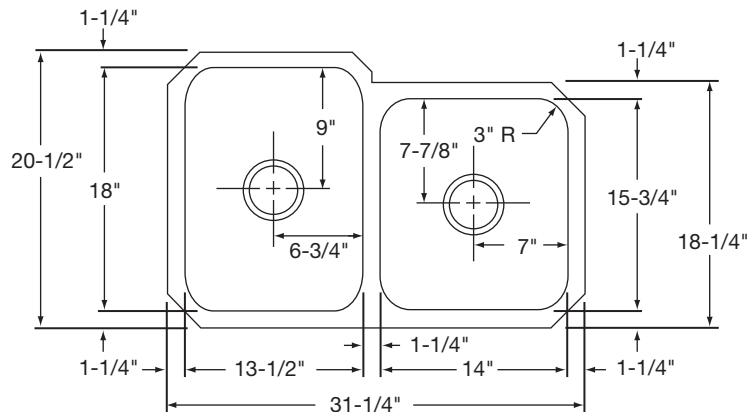
Model Number	Overall		Inside Left Bowl			Inside Right Bowl			Cutout in Countertop	Minimum Cabinet Size	Ship. Wt. Lbs.
	L	W	L	W	D	L	W	D			
DUH3120R	31 1/4	20 1/2	13 1/2	18	8	14	15 3/4	8	See Template**	36	38

*Length is left to right. Width is front to back.

**Template and countertop mounting clips are packed with every sink.



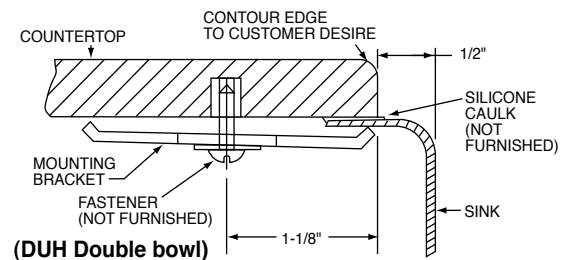
Model DUH3120R



Model DUH3120R Illustrated

Installation Profile of DUH Double Bowl Model

The template provided with each DUH sink provides the only type of installation recommended by Elkay.



ALL DIMENSIONS IN INCHES, TO CONVERT TO MILLIMETERS MULTIPLY BY 25.4.

In keeping with our policy of continuing product improvement, Elkay reserves the right to change product specifications without notice.

This specification describes an Elkay product with design, quality and functional benefits to the user. When making a comparison of other producers' offerings, be certain these features are not overlooked.