

DAYTON SPECIFICATIONS

Dayton® Hospitality Sink Model D11315

GENERAL

Sink bowl formed of #23 gauge, nickel bearing stainless steel.
Self-rimming.

DESIGN FEATURES

Bowl Depth: 5-1/8".

Coved Corners: 2-1/4" vertical and horizontal radius.

Finish: Exposed surfaces are polished to a satin finish.

Underside: Fully undercoated to prevent condensation and deaden sound.

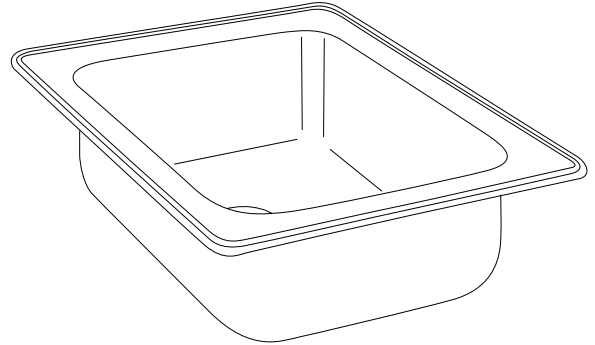
OTHER

Drain Opening: 2".

These sinks comply with ASME A112.19.3-2000.



These sinks are listed by the International Association of Plumbing and Mechanical Officials as meeting the requirements of the Uniform Plumbing Code.

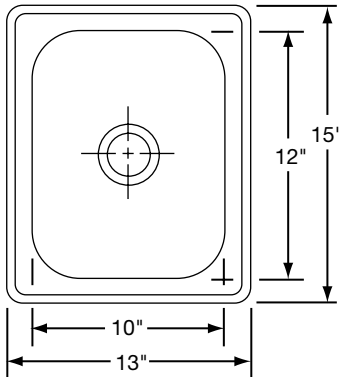


Model D11315

SINK DIMENSIONS (INCHES)*

Model Number	Overall		Inside Bowl			Cutout in Countertop 1 1/2" Radius Corners		Minimum Cabinet Size
	L	W	L	W	D	L	W	
D11315	13	15	10	12	5 1/8	12 3/8	14 3/8	18

*Length is left to right. Width is front to back.



Bowl Depth is 5-1/8"
Model D11315 Illustrated

ALL DIMENSIONS IN INCHES, TO CONVERT TO MILLIMETERS MULTIPLY BY 25.4.

In keeping with our policy of continuing product improvement, Elkay reserves the right to change product specifications without notice.

This specification describes an Elkay product with design, quality and functional benefits to the user. When making a comparison of other producers' offerings, be certain these features are not overlooked.