

DAYTON SPECIFICATIONS

Dayton® Double Bowl Sink Models D, DJ, DD and DDJ Series

GENERAL

Sink is formed of #22 gauge, 300 series, nickel-bearing stainless steel. Top mount.

DESIGN FEATURES

Bowl Depth: See back.

Coved Corners: 3" vertical.

Faucet Deck: Raised (except D22519, D23317 and D23319 series).

Finish: Exposed surfaces are polished to a satin finish.

Underside: Undercoated as described on back.

OTHER

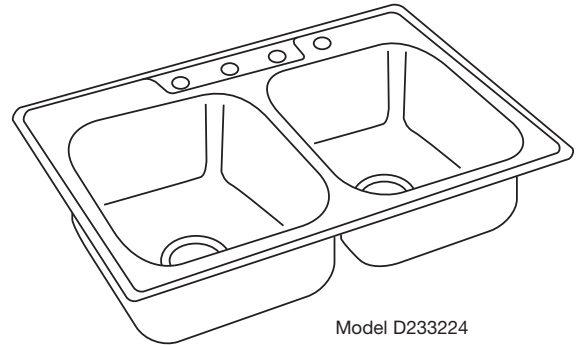
Drain Opening: 3-1/2".

Note: Unless otherwise specified, sink is furnished with 4 faucet holes as shown.

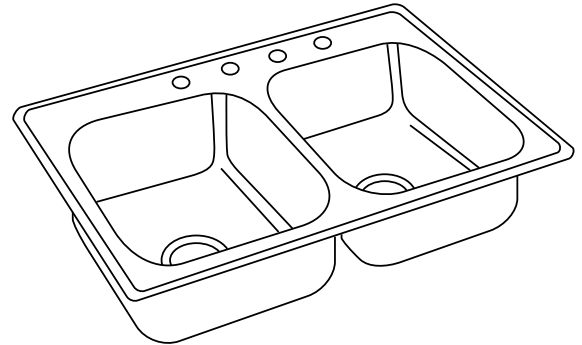
Select sinks comply with ASME A112.19.3 except Models DD23322 and DDJ 23322.



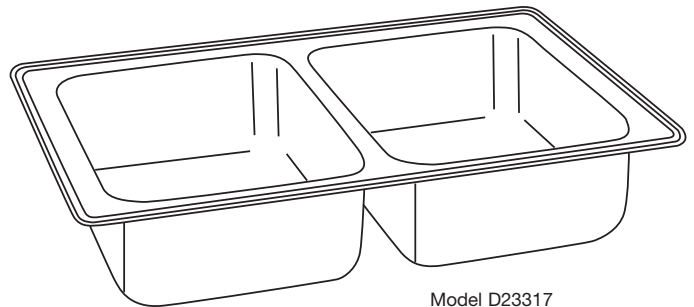
Select sinks except Models DD23322 and DDJ23322 are listed by the International Association of Plumbing and Mechanical Officials as meeting the requirements of the Uniform Plumbing Code.



Model D233224

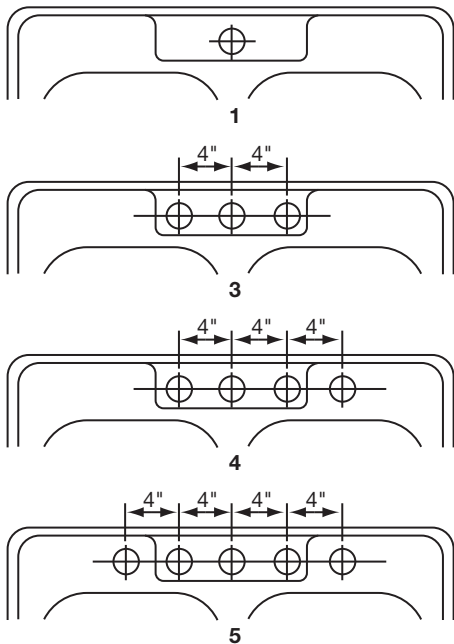


Model D233194

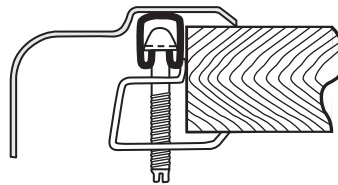


Model D23317

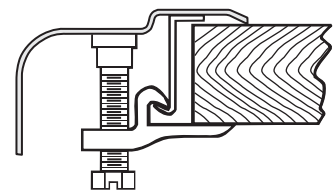
HOLE DRILLING CONFIGURATION



U-Channel Type Mounting System



J-Channel Type Mounting System



SEE OTHER SIDE FOR PRODUCT DIMENSIONS.

ALL DIMENSIONS IN INCHES, TO CONVERT TO MILLIMETERS MULTIPLY BY 25.4.

In keeping with our policy of continuing product improvement, Elkay reserves the right to change product specifications without notice.

This specification describes an Elkay product with design, quality and functional benefits to the user. When making a comparison of other producers' offerings, be certain these features are not overlooked.

Elkay

elkayusa.com

2222 Camden Court
Oak Brook, IL 60523

Printed in U.S.A.
©2008 Elkay

(Rev. 3/08) 2-14E

**Dayton® Double Bowl Sink
Models D, DJ, DD and DDJ Series**

**DAYTON
SPECIFICATIONS**

SINK DIMENSIONS (INCHES)*

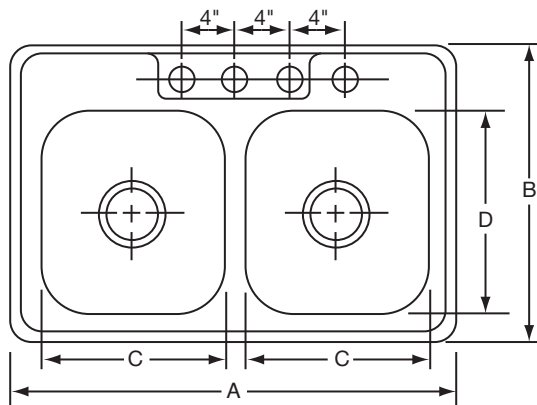
| U-Channel Model Number | J-Channel Model Number | Master Pack | Overall | | Inside Each Bowl | | | Cutout in Countertop (1 1/2" Radius Corners) | | No. of 1 1/2" Dia. Faucet Holes | Minimum Cabinet Size | Comply with ASME A112.19.3 and UPC? |
|------------------------|------------------------|-------------|---------|--------|------------------|--------|--------|--|--------|---------------------------------|----------------------|-------------------------------------|
| | | | L A | W B | L C | W D | D E | L L | W W | | | |
| D22519 | - | 1 | 25 | 19 | 10 | 14 | 6 1/4 | 24 3/8 | 18 3/8 | 1, 3 or 4 | 30 | Yes |
| D23317 | - | 1 | 33 | 17 | 14 | 14 | 6 | 32 3/8 | 16 3/8 | None | 36 | Yes |
| D23319 | - | 1 | 33 | 19 | 14 | 14 | 6 7/16 | 32 3/8 | 18 3/8 | 1, 3 or 4 | 36 | Yes |
| D23321 | - | 1 | 33 | 21 1/4 | 14 | 15 3/4 | 6 1/2 | 32 3/8 | 20 5/8 | 3, 4 or 5 | 36 | Yes |
| D23322 | DJ23322 | 1 | 33 | 22 | 14 | 15 3/4 | 6 1/2 | 32 3/8 | 21 3/8 | 3, 4 or 5 | 36 | Yes |
| DD23322 | DDJ23322 | 1 | 33 | 22 | 14 | 15 3/4 | 7 1/16 | 32 3/8 | 21 3/8 | 1, 3 or 4 | 36 | No |
| D623319 | - | 6 | 33 | 19 | 14 | 14 | 6 7/16 | 32 3/8 | 18 3/8 | 1, 3 or 4 | 36 | Yes |
| D623321 | - | 6 | 33 | 21 1/4 | 14 | 15 3/4 | 6 1/2 | 32 3/8 | 20 5/8 | 3 or 4 | 36 | Yes |
| D623322 | DJ623322 | 6 | 33 | 22 | 14 | 15 3/4 | 6 1/2 | 32 3/8 | 21 3/8 | 3, 4 or 5 | 36 | Yes |
| D5023319 | - | 50 | 33 | 19 | 14 | 14 | 6 7/16 | 32 3/8 | 18 3/8 | 3 or 4 | 36 | Yes |
| D5023321 | - | 50 | 33 | 21 1/4 | 14 | 15 3/4 | 6 1/2 | 32 3/8 | 20 5/8 | 3 or 4 | 36 | Yes |
| D5023322 | DJ5023322 | 50 | 33 | 22 | 14 | 15 3/4 | 6 1/2 | 32 3/8 | 21 3/8 | 3 or 4 | 36 | Yes |

*Length is left to right. Width is front to back.

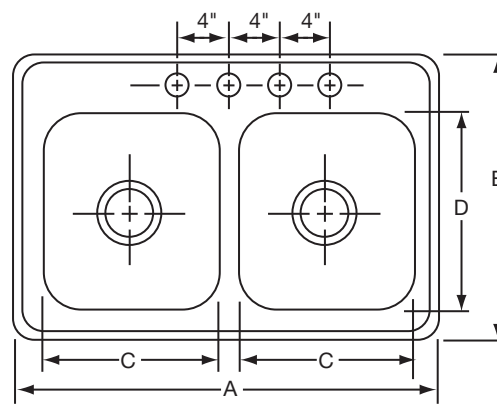
D-Prefix sinks are packed one per shipping carton. Sink bowls are fully undercoated.

D6-Prefix sinks are nested 6 units per shipping carton. Sink bowls are sound deadened on bottom only.

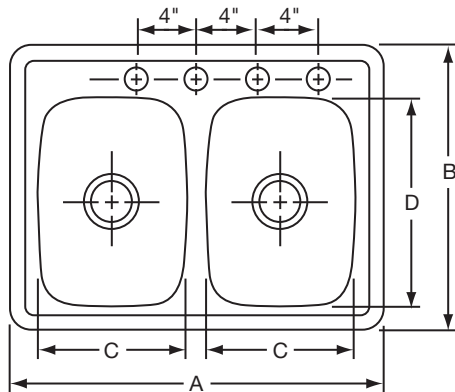
D50-Prefix sinks are nested 50 units per shipping carton. Sink bowls are sound deadened on bottom only.



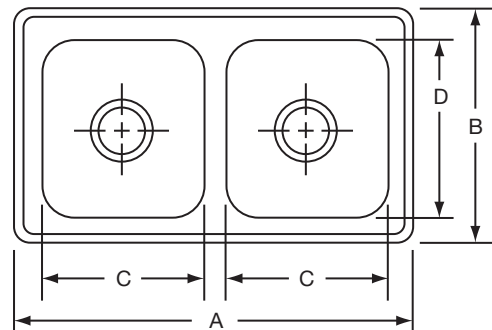
Bowl Depth is E
Model D233224 Illustrated



Bowl Depth is E
Model D233194 Illustrated



Bowl Depth is E
Model D225194 Illustrated



E is Bowl Depth
Model D23317 Illustrated