

ELKAY® SPECIFICATIONS

Pursuit™ Laundry/Utility Floor Sink Models PLA2523C and PLA3321C

GENERAL

Highest quality sink formed of #16 (1.6mm) gauge, type 316 nickel bearing stainless steel. Floor mounted with wall hanger. Comes complete with LK43 drain.

DESIGN FEATURES

Bowl Depth: 8" (203mm).

Overall Depth: 10" (254mm).

Coved Corners: 1-3/4" (44mm) vertical and horizontal radius.

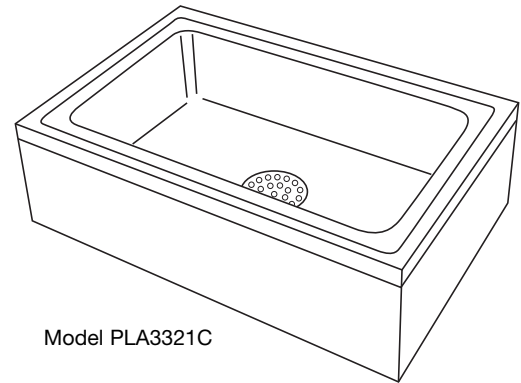
Finish: Exposed surfaces are hand blended to a lustrous satin finish.

Underside: Sound dampening pads applied to underside.

Apron: Finished on 3 sides.

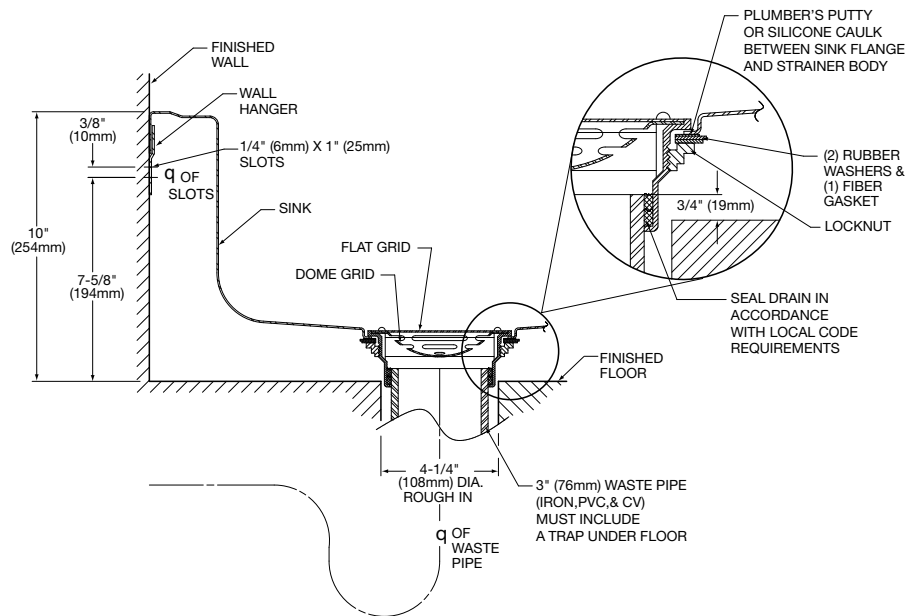
OTHER

NOTE: Professional installation recommended.



Model PLA3321C

Installation Profile



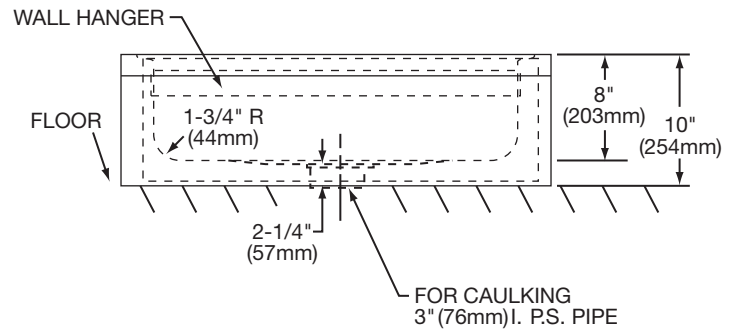
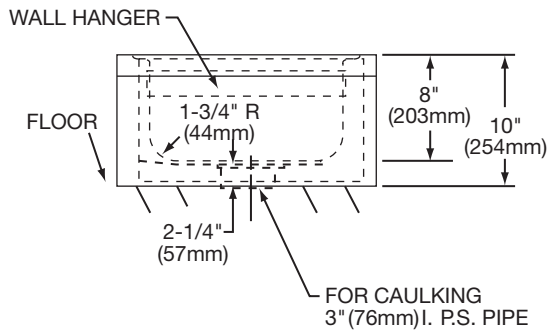
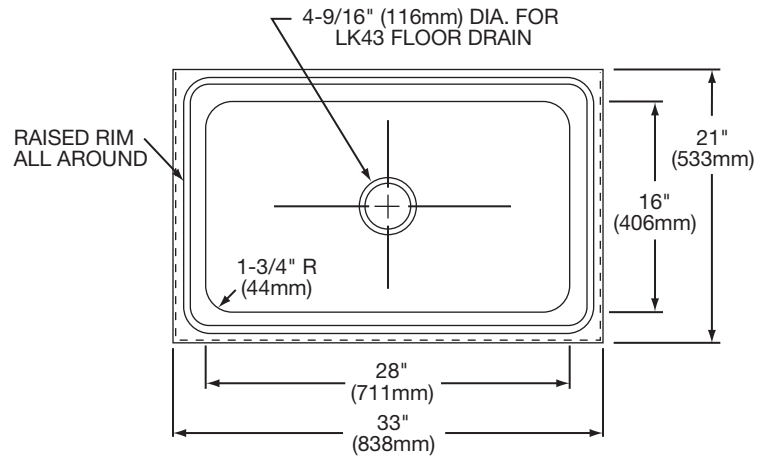
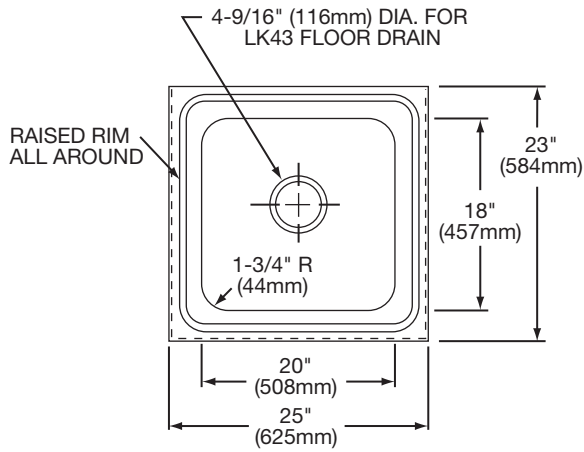
SEE OTHER SIDE FOR PRODUCT DIMENSIONS.

In keeping with our policy of continuing product improvement, Elkay reserves the right to change product specifications without notice. Please visit elkayusa.com for most current version of Elkay product specification sheets.

This specification describes an Elkay product with design, quality and functional benefits to the user. When making a comparison of other producers' offerings, be certain these features are not overlooked.

**Pursuit™ Laundry/Utility Floor Sink
Models PLA2523C and PLA3321C**

**ELKAY®
SPECIFICATIONS**



Model PLA2523C Illustrated

Model PLA3321C Illustrated