

ELKAY® SPECIFICATIONS

Explore Fine Fireclay Undermount Sink Models SWU211910 Series

GENERAL

Single bowl kitchen sink manufactured from fine fireclay with a durable porcelain glaze. This combination of materials provides a finish that is non-porous and resists staining. Undermount.

DESIGN FEATURES

Bowl Depth: 9-5/8" (244mm).

Material: Fine fireclay with porcelain glaze. Top of rim is unglazed.

Color Options: Gloss White (WH) or Matte Terra Cotta (TC).

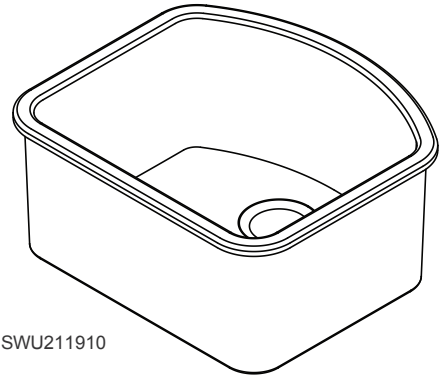
OTHER

Drain Opening: 3-1/2" (89mm).

Note: All Elkay undermount sinks are designed to affix to the underside of any solid surface countertop.

Installation: Support frame under sink (not furnished) is necessary.

Sink complies with ASME A112.19.2-2008/CSA B45.1-08.



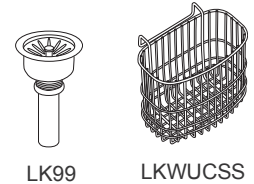
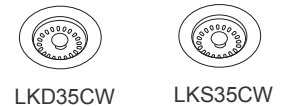
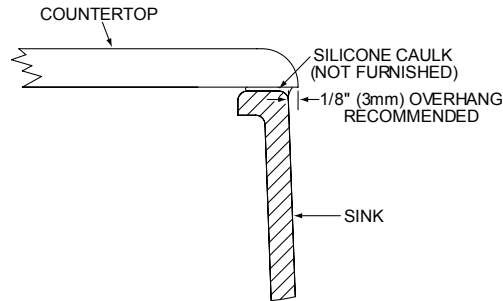
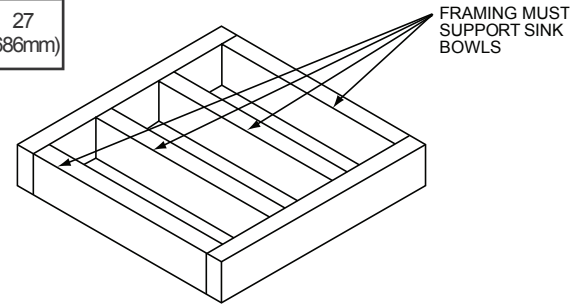
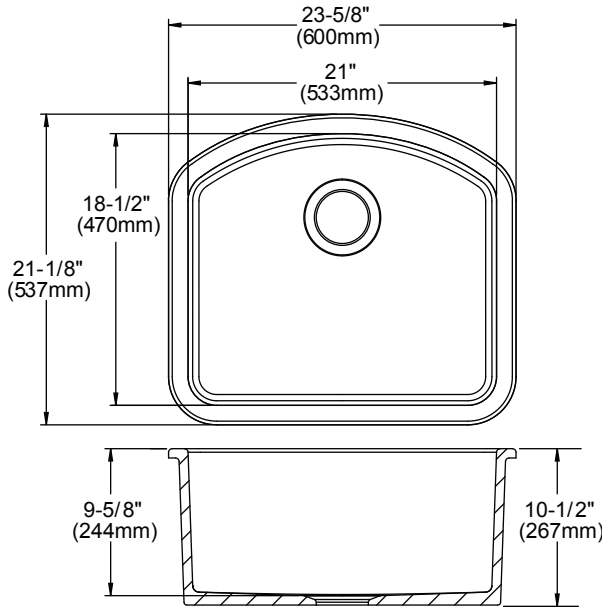
Model SWU211910

SINK DIMENSIONS*

Model Number	Overall			Inside Bowl			Drain Opening	Cutout in Countertop	Minimum Cabinet Size
	L	W	D	L	W	D			
SWU211910	23 ⁵ / ₈ (600mm)	21 ¹ / ₈ (537mm)	10 ¹ / ₂ (267mm)	21 (533mm)	18 ¹ / ₂ (470mm)	9 ⁵ / ₈ (244mm)	3 ¹ / ₂ (89mm)	Use sink as template	27 (686mm)

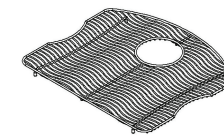
*Length is left to right. Width is front to back.

Due to the manufacturing process, the sink dimensions are approximate and may vary. No cutout templates available.

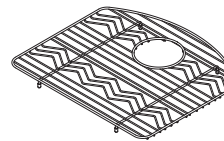


OPTIONAL ACCESSORIES*

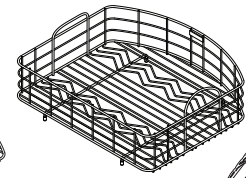
Model Number	Description	Overall			Material/Finish
		L	W	Depth/Thickness	
LK99	Drain	Fits 3 ¹ / ₂ " (89mm) Drain opening			Polished stainless steel
LK35CW	Drain	Fits 3 ¹ / ₂ " (89mm) Drain opening			Polymer/Cameo White
LKS35CW	Drain	Fits 3 ¹ / ₂ " (89mm) Drain opening			Polymer/Cameo White
LKSOWBG2119SS	Bottom grid	19 ¹ / ₂ (495mm)	17 (432mm)	1 ¹ / ₄ (32mm)	Polished stainless steel
LKWEOBG2119SS	Bottom grid	19 ¹ / ₂ (495mm)	17 (432mm)	1 ¹ / ₄ (32mm)	Polished stainless steel
LKSWRB2119SS	Rinsing basket with dish rack	19 ¹ / ₂ (495mm)	17 (432mm)	7 (178mm)	Polished stainless steel
LKWUCSS	Utensil Caddy for rinsing basket	5 ¹ / ₈ (130mm)	3 ¹ / ₂ (89mm)	4 ³ / ₈ (111mm)	Polished stainless steel



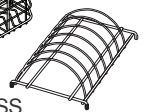
LKWEOBG2119SS



LKSOWBG2119SS



LKSWRB2119SS



In keeping with our policy of continuing product improvement, Elkay reserves the right to change product specifications without notice. Please visit elkayusa.com for most current version of Elkay product specification sheets.

This specification describes an Elkay product with design, quality and functional benefits to the user. When making a comparison of other producers' offerings, be certain these features are not overlooked.