

# ELKAY® SPECIFICATIONS

## Echo Double Bowl Sink Model ECTM332210 Series

### GENERAL

Formed of #18 (1.2mm) gauge bowls featuring a #20 (0.9mm) gauge deck, type 304 nickel bearing stainless steel. Top Mount.

### DESIGN FEATURES

Bowl Depth: 9-3/4" (248mm) to 10-3/4" (273mm).

Contoured Raised Rim: 3/8" (10mm) to 1-3/8" (35mm) above outside edge of sink.

Finish: Exposed surfaces are hand polished to a Lustrous Highlighted Satin finish.

Maximum countertop thickness: 1-3/8" (35mm).

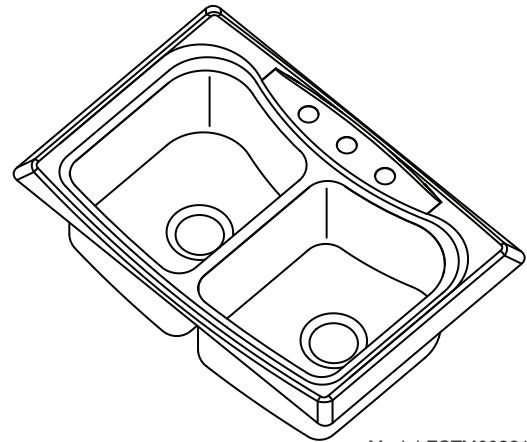
Underside: Fully protected by heavy duty Sound Guard undercoating to reduce condensation and dampen sound.

### OTHER

Drain Opening: 3-1/2" (89mm).

NOTE: Unless otherwise specified, sink is furnished with 3 faucet holes as illustrated.

Sink complies with ASME A112.19.3-2008 / CSA B45.4-08



Model ECTM3322103

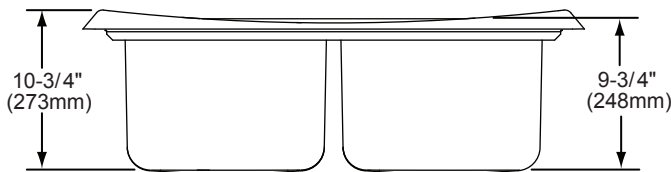
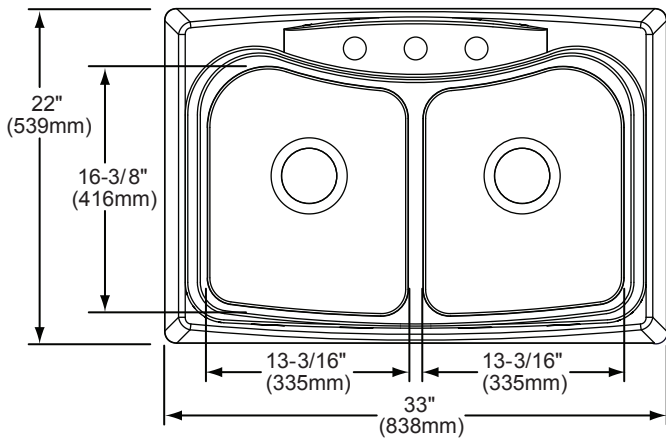


These sinks are listed by the International Association of Plumbing and Mechanical Officials as meeting the requirements of the Uniform Plumbing Code.

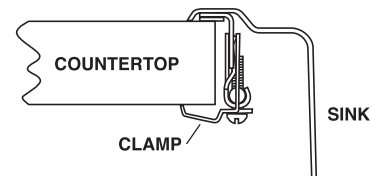
### SINK DIMENSIONS\*

Model Number	Overall		Inside Each Bowl			Cutout in Countertop [1 1/2" (38mm) Corner Radius]		No. of 1 1/2" (38mm) Dia. Faucet Holes 4" (102mm) Center	Minimum Cabinet Size
	L	W	L	W	D	L	W		
ECTM332210	33 (838mm)	22 (539mm)	13 3/16 (335mm)	16 3/8 (416mm)	9 3/4 (248mm) to 10 3/4 (273mm)	32 3/8 (822mm)	21 3/8 (543mm)	1,2,MR2,3	36 (914mm)

\*Length is left to right. Width is front to back.



### Installation Profile



In keeping with our policy of continuing product improvement, Elkay reserves the right to change product specifications without notice. Please visit [elkayusa.com](http://elkayusa.com) for most current version of Elkay product specification sheets.

This specification describes an Elkay product with design, quality, and functional benefits to the user. When making a comparison of others producers offerings, be certain these features are not overlooked.

**Elkay**

[elkayusa.com](http://elkayusa.com)

2222 Camden Court  
Oak Brook, IL 60523

Printed in U.S.A.  
©2010 Elkay

(Rev. 3/10) 1-308C

**Echo Double Bowl Sink  
Model ECTM332210 Series**

**ELKAY®  
SPECIFICATIONS**

**OPTIONAL ACCESSORIES\***

Model Number	Description	Overall			Material
		L	W	Depth/Thickness	
LK99	Drain	Fits 3 1/2" (89mm)		Drain Opening	Stainless Steel
LKEOBG1314LSS	Bottom Grid for left bowl	11 7/8 (302mm)	15 1/16 (384mm)	1 (25mm)	Stainless Steel
LKEOBG1314RSS	Bottom Grid for right bowl	11 7/8 (302mm)	15 1/16 (384mm)	1 (25mm)	Stainless Steel
LKERB1314LSS	Rinsing Basket for left bowl	11 7/8 (302mm)	15 1/16 (384mm)	7 (178mm)	Stainless Steel
LKERB1314RSS	Rinsing Basket for right bowl	11 7/8 (302mm)	15 1/16 (384mm)	7 (178mm)	Stainless Steel
LKWUCSS	Utensil Caddy for rinsing basket	15 1/8 (384mm)	3 1/2 (89mm)	4 3/8 (111mm)	Stainless Steel
LKCB1317HW	Cutting Board reversible design fits both bowls	14 1/8 (359mm)	17 11/16 (449mm)	1 (25mm)	Hardwood

\*Length is left to right. Width is front to back.



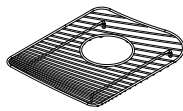
LK99



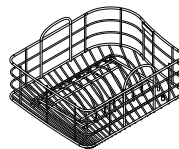
LKWUCSS



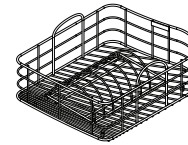
LKEOBG1314LSS



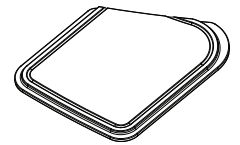
LKEOBG1314RSS



LKERB1314LSS

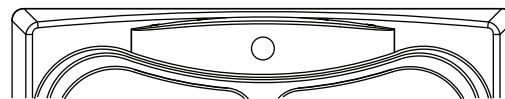


LKERB1314RSS

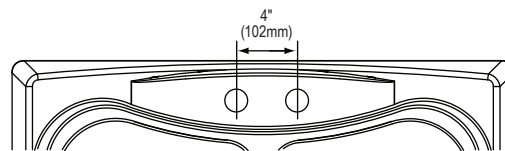


LKCB1317HW

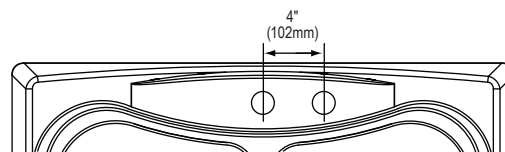
**HOLE DRILLING CONFIGURATIONS**



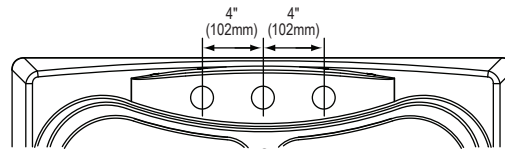
1



2



MR2



3