

# ELKAY® SPECIFICATIONS

## The Mystic™ by Elkay Undermount Sink Model MYSTIC2221

### GENERAL

Highest quality contoured sink formed of #18 gauge, type 304 (18-8) nickel bearing stainless steel. Furnished with LK8 grid strainer.

### DESIGN FEATURES

Bowl Depth: Slopes to 5-1/2".

Finish: Exposed surfaces are hand blended to a lustrous satin finish.

Underside: Fully undercoated by heavy duty Sound Guard® undercoating to dampen sound and prevent condensation.

### OTHER

Drain Opening: 2".

Note: All Elkay undermount sinks are designed to affix to the underside of any solid surface countertop.

Installation: See illustrated profile below.

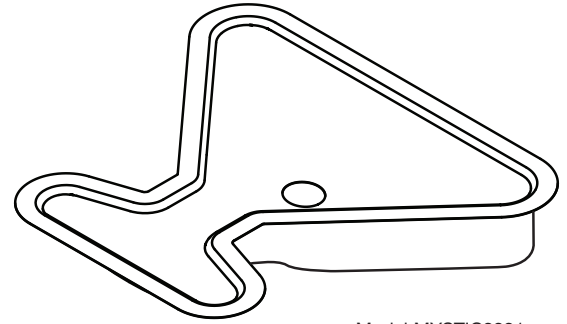
This sink complies with ASME Standard A112.19.3.

### SINK DIMENSIONS (INCHES)\*

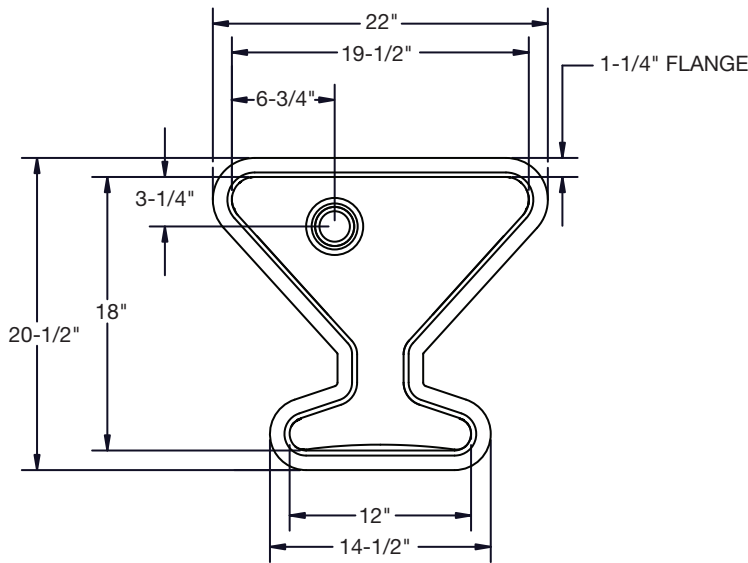
Model Number	Overall		Inside Bowl			Cutout in Countertop	Minimum Cabinet Size
	L	W	L	W	D		
MYSTIC2221	22	20 1/2	19 1/2	18	Slopes to 5 1/2	See Template**	27

\*Length is left to right. Width is front to back.

\*\*Template and countertop mounting clips are packed with every sink.

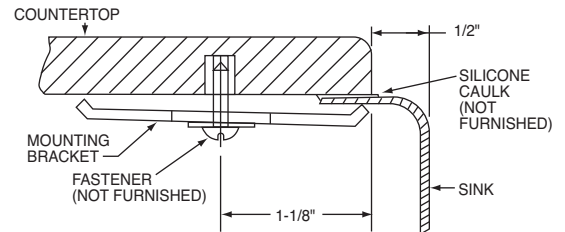


Model MYSTIC2221



### Installation Profile

The template provided with each sink provides the only type of installation recommended by Elkay.



ALL DIMENSIONS IN INCHES, TO CONVERT TO MILLIMETERS MULTIPLY BY 25.4.

In keeping with our policy of continuing product improvement, Elkay reserves the right to change product specifications without notice.

This specification describes an Elkay product with design, quality and functional benefits to the user. When making a comparison of other producers' offerings, be certain these features are not overlooked.

Elkay

elkayusa.com

2222 Camden Court  
Oak Brook, IL 60523

Printed in U.S.A.  
©2008 Elkay

(3/08)

1-301