

ELKAY® SPECIFICATIONS

Avado™ Single Bowl Sink No Faucet Ledge Model EFTS311811

GENERAL

Highest quality sink seamlessly fabricated of #16 gauge, type 304 (18-8) nickel bearing stainless steel.

DESIGN FEATURES

Bowl Depth: 11".

Coved Corners: Zero radius.

Rim Height: 1".

Finish: Exposed surfaces are polished to a bright satin finish.

Underside: Fully protected by heavy duty Sound Guard® undercoating designed to prevent condensation and dampen sound.

OTHER

Drain Opening: 3-1/2".

Sink complies with ASME A112.19.3.

SINK DIMENSIONS (INCHES)*

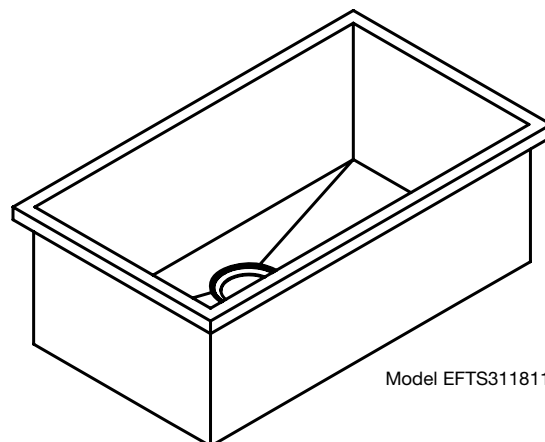
Model Number	Overall		Inside Bowl			Drain Opening	Cutout in Countertop (1/2" Corner Radius)		Minimum Cabinet Size
	L	W	L	W	D		L	W	
EFTS311811	31	18	29	16	11	3 1/2	30 1/8	17 1/8	36

*Length is left to right. Width is front to back.

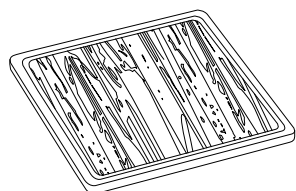
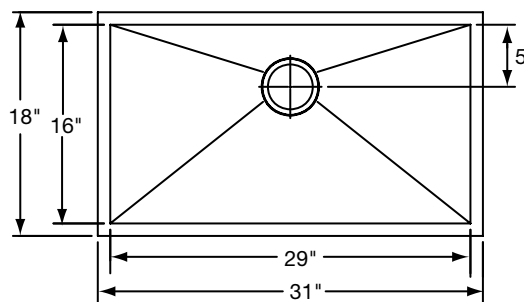
OPTIONAL ACCESSORIES (INCHES)*

Model Number	Description	Overall			Material
		L	W	Depth/Thickness	
LKCB1416HW	Cutting Board	15	16	1	Hardwood
LKLOBG2916SS	Bottom Grid	28	15	3/4	Stainless Steel
LKDTD1416SS	Drain Tray	14 7/8	16 7/8	3	Stainless Steel
LKDTD1605SS	Drain Tray	16 7/8	5 13/16	3	Stainless Steel

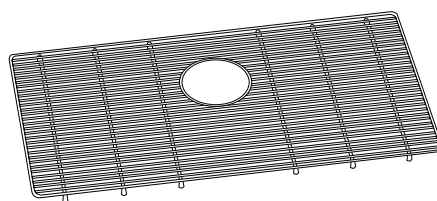
*Length is left to right. Width is front to back.



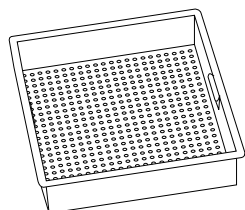
Model EFTS311811



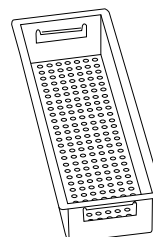
Model LKCB1416HW



Model LKLOBG2916SS



Model LKDTD1416SS



Model LKDTD1605SS

ALL DIMENSIONS IN INCHES, TO CONVERT TO MILLIMETERS MULTIPLY BY 25.4.

In keeping with our policy of continuing product improvement, Elkay reserves the right to change product specifications without notice.

This specification describes an Elkay product with design, quality and functional benefits to the user. When making a comparison of other producers' offerings, be certain these features are not overlooked.

Elkay

elkayusa.com

2222 Camden Court
Oak Brook, IL 60523

Printed in U.S.A.
©2008 Elkay

(3/08)

1-300