

# ELKAY<sup>®</sup>

## SPECIFICATIONS

### Avado™ Double Bowl Sink No Faucet Ledge Model EFT311811

#### GENERAL

Highest quality sink seamlessly fabricated of #16 gauge, type 304 (18-8) nickel bearing stainless steel.

#### DESIGN FEATURES

Bowl Depth: 11".

Coved Corners: Zero radius.

Rim Height: 1".

Finish: Exposed surfaces have a polished satin finish.

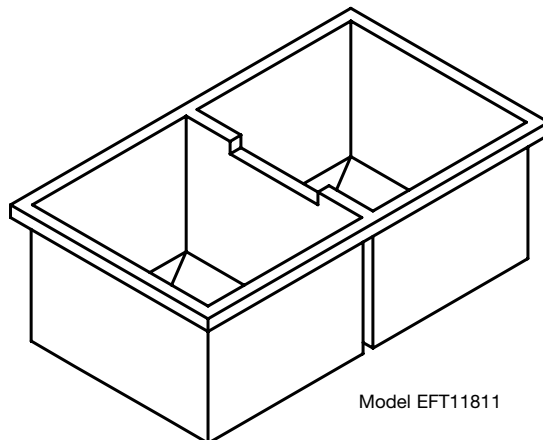
Underside: Fully protected by heavy duty Sound Guard<sup>®</sup> undercoating designed to prevent condensation and dampen sound.

Unique partition design.

#### OTHER

Drain Opening: 3-1/2".

Sink complies with ASME A112.19.3.



Model EFT311811

#### SINK DIMENSIONS (INCHES)\*

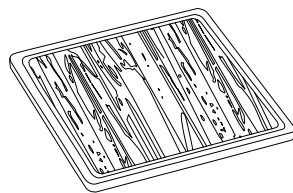
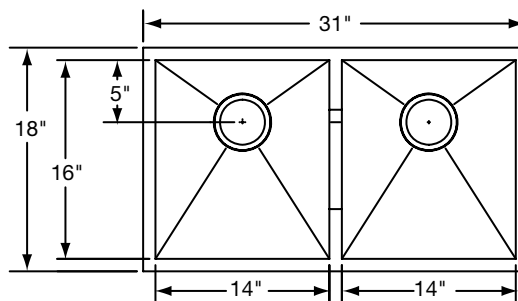
Model Number	Overall		Inside Left Bowl			Inside Right Bowl			Drain Opening	Cutout in Countertop (1/2" Corner Radius)		Minimum Cabinet Size
	L	W	L	W	D	L	W	D		L	W	
EFT311811	31	18	14	16	11	14	16	11	3 1/2	30 1/8	17 1/8	36

\*Length is left to right. Width is front to back.

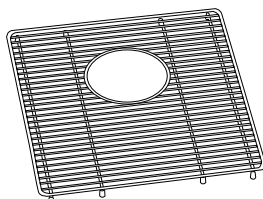
#### OPTIONAL ACCESSORIES (INCHES)\*

Model Number	Description	Overall			Material
		L	W	Depth/Thickness	
LKCB1416HW	Cutting Board	15	17	1	Hardwood
LKLOBG1416SS	Bottom Grid	13	15	3/4	Stainless Steel
LKDTD1416SS	Drain Tray	14 7/8	16 7/8	3	Stainless Steel

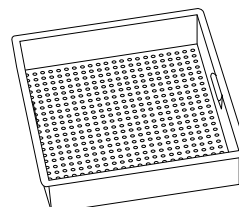
\*Length is left to right. Width is front to back.



Model LKCB1416HW



Model LKLOBG1416SS



Model LKDTD1416SS

ALL DIMENSIONS IN INCHES, TO CONVERT TO MILLIMETERS MULTIPLY BY 25.4.

In keeping with our policy of continuing product improvement, Elkay reserves the right to change product specifications without notice.

This specification describes an Elkay product with design, quality and functional benefits to the user. When making a comparison of other producers' offerings, be certain these features are not overlooked.