

ELKAY® SPECIFICATIONS

Lustertone® Contemporary Gourmet Single Bowl Sink with Ribbed Area Model ILCGR4022 Series

GENERAL

Highest quality sink bowl and integral ribbed area seamlessly formed of #18 gauge, type 304 (18-8) nickel bearing stainless steel. Self-rimming.

DESIGN FEATURES

Bowl Depth: 8".

Bowl and Ribbed Area Recess: 1/2" below outside edge of sink.

Finish: Exposed surfaces are hand blended to a lustrous highlighted satin finish.

Underside: Fully protected by heavy duty Sound Guard® undercoating to dampen sound and prevent condensation.

OTHER

Drain Opening: 3-1/2".

NOTE: Unless otherwise specified, sink is furnished with 1 faucet hole as shown.

Suffix "L" (left) or "R" (right) denotes location of the sink bowl.

OPTIONAL ACCESSORIES

Rinsing Basket: LKRB1614 or LKERBSS.

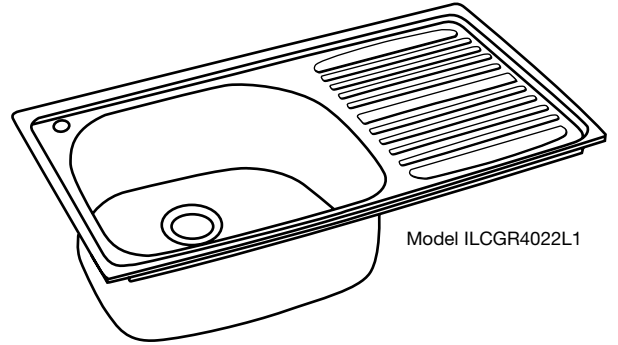
Bottom Grid: LKOBG1821.

Cutting Board: CB2213.

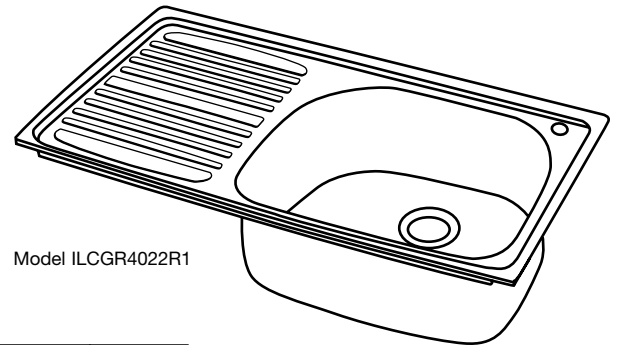
These sinks comply with ANSI Standard A112.19.3M.



These sinks are listed by the International Association of Plumbing and Mechanical Officials as meeting the requirements of the Uniform Plumbing Code.



Model ILCGR4022L1



Model ILCGR4022R1

SINK DIMENSIONS (INCHES)*

Model Number	Overall		Inside Bowl			Ribbed Area Length	Cutout in Countertop (1 1/2" Radius Corners)		No. of 1 1/2" Dia. Faucet Holes	Minimum Cabinet Size	Ship. Wt. Lbs.
	L	W	L	W	D		L	W			
ILCGR4022L	40	22	21	18 ⁵ / ₈	8	17	39 ³ / ₈	21 ³ / ₈	1 or 2	45	32
ILCGR4022R	40	22	21	18 ⁵ / ₈	8	17	39 ³ / ₈	21 ³ / ₈	1 or 2	45	32

*Length is left to right. Width is front to back.

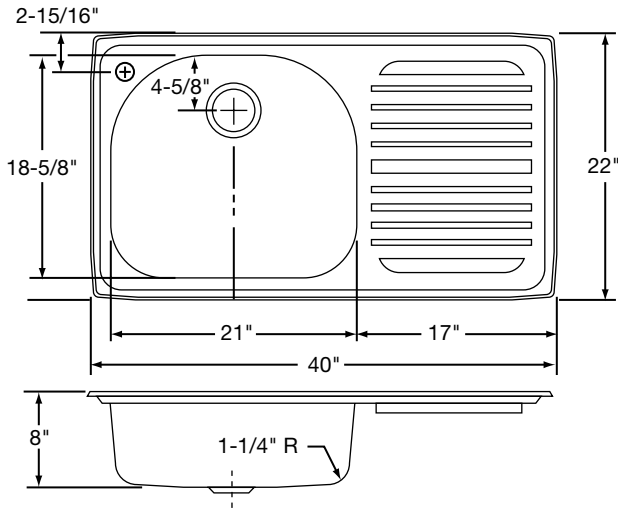
Suffix "L" (left) or "R" (Right) denotes bowl is left or right of ribbed areas.

SEE OTHER SIDE FOR PRODUCT DIMENSIONS.

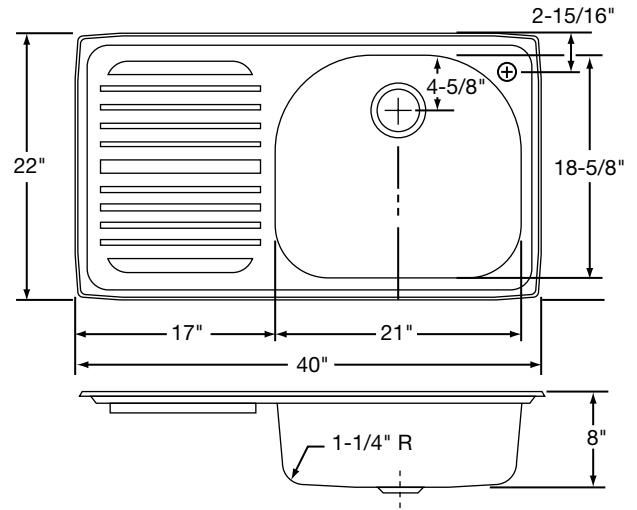
ALL DIMENSIONS IN INCHES, TO CONVERT TO MILLIMETERS MULTIPLY BY 25.4.

In keeping with our policy of continuing product improvement, Elkay reserves the right to change product specifications without notice.

This specification describes an Elkay product with design, quality and functional benefits to the user. When making a comparison of other producers' offerings, be certain these features are not overlooked.

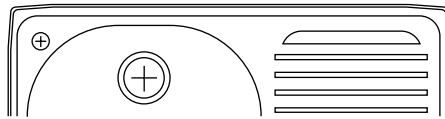


Model ILCGR4022L1 Illustrated

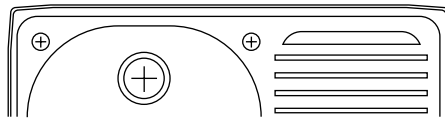


Model ILCGR4022R1 Illustrated

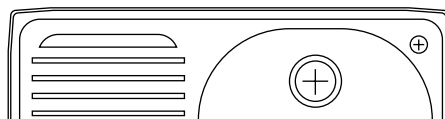
HOLE DRILLING CONFIGURATIONS



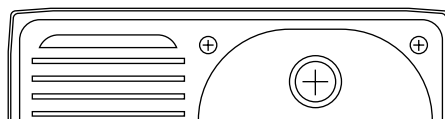
ILCGR4022L1



ILCGR4022L2



ILCGR4022R1



ILCGR4022R2