

ELKAY[®]

SPECIFICATIONS

Harmony™ Double Bowl Sink with Ribbed Area Model ECGR5322 Series

GENERAL

Fine quality sink formed of #18 gauge, type 304 nickel bearing stainless steel. Top mount.

DESIGN FEATURES

Bowl Depth: 8" (large bowl), 6-7/16" (small bowl).

Finish: Exposed surfaces are polished to a soft satin finish.

Bowl and Faucet Deck Recess: 3/8" below outside edge of sink.

Underside: Fully protected by heavy duty Sound Guard[®] undercoating to dampen sound and prevent condensation.

Aqueduct: Recessed partition allows water to flow to adjacent bowl before overflowing sink.

OTHER

Drain Opening: 3-1/2".

NOTE: Unless otherwise specified sink is furnished with 2 faucet holes as shown.

Suffix L (left) or R (right) denotes location of small bowl.

These sinks comply with ASME A112.19.3.



These sinks are listed by the International Association of Plumbing and Mechanical Officials as meeting the requirements of the Uniform Plumbing Code.

OPTIONAL ACCESSORIES

Rinsing Baskets: LKWRB1113SS (small bowl), LKWRB2118SS (large bowl), LKWERBSS (large bowl).

Utensil Caddy for Rinsing Basket: LKWUCSS.

Bottom Grids: LKWOBG1113SS (small bowl), LKWOBG2118SS (large bowl).

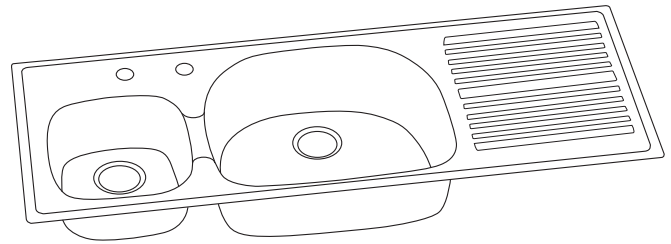
Cutting Board: CB2213 (large bowl).

Colander: LC1412 (small bowl).

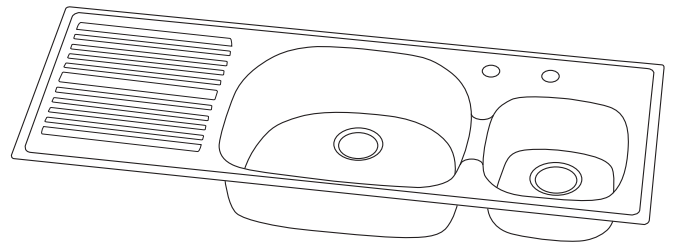
SINK DIMENSIONS (INCHES)*

Model Number	Overall		Inside Left Bowl			Inside Right Bowl			Ribbed Area	Cutout in Countertop (1 1/2" Radius Corners)		No. of 1 1/2" Dia. Faucet Holes	Minimum Cabinet Size
	L	W	L	W	D	L	W	D		L	W		
ECGR5322L	53	22	11 3/4	13 1/4	6 7/16	21	18 5/8	8	17	52 3/8	21 3/8	1, 2, 3, 4	57
ECGR5322R	53	22	21	18 5/8	8	11 3/4	13 1/4	6 7/16	17	52 3/8	21 3/8	1, 2, 3, 4	57

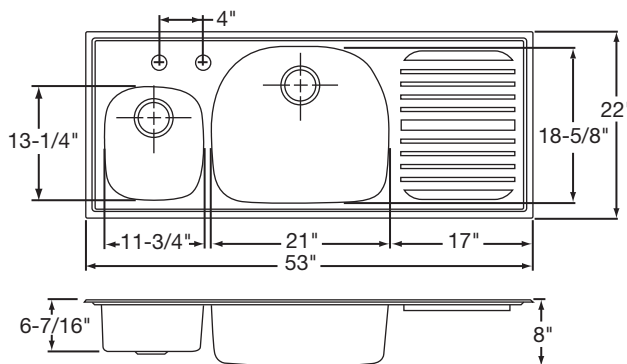
*Length is left to right. Width is front to back.



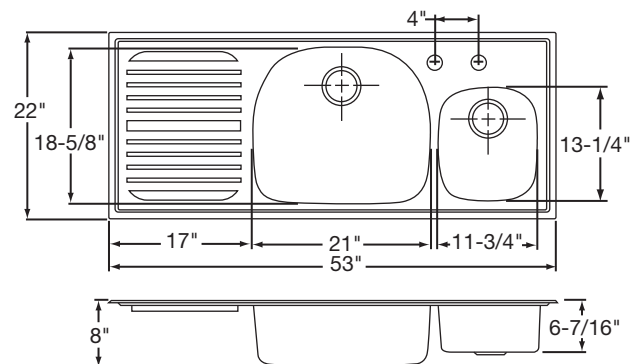
Model ECGR5322L2



Model ECGR5322R2



Model ECGR5322L2 Illustrated



Model ECGR5322R2 Illustrated

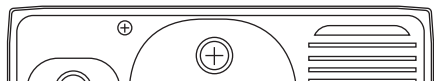
ALL DIMENSIONS IN INCHES, TO CONVERT TO MILLIMETERS MULTIPLY BY 25.4.

In keeping with our policy of continuing product improvement, Elkay reserves the right to change product specifications without notice.

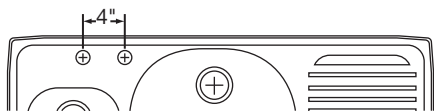
This specification describes an Elkay product with design, quality and functional benefits to the user. When making a comparison of other producers' offerings, be certain these features are not overlooked.

HOLE DRILLING CONFIGURATIONS

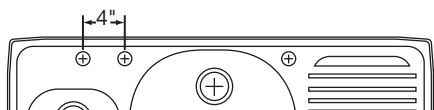
Left Version



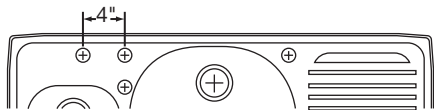
Model ECGR5322L1



Model ECGR5322L2

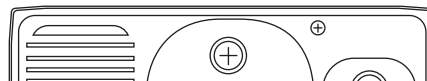


Model ECGR5322L3

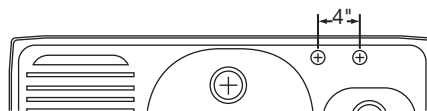


Model ECGR5322L4

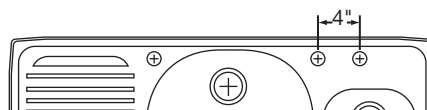
Right Version



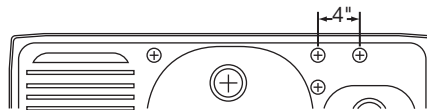
Model ECGR5322R1



Model ECGR5322R2



Model ECGR5322R3



Model ECGR5322R4