

# ELKAY<sup>®</sup>

## SPECIFICATIONS

### Asana™ Collection Lavatory Vessel Sink Models VESSEL16SMS and VESSEL16SSS

#### GENERAL

Highest quality sink bowl fabricated of #18 gauge, type 304 (18-8) nickel bearing stainless steel. Mounts above countertop.

#### DESIGN FEATURES

Bowl Depth: 6".

Finish: Exposed surfaces are hand blended to a lustrous satin finish. Model VESSEL16SMS has a mirror finish ledge.

#### OTHER

Drain Opening: 1-1/2", 2-1/4" O.D. at the top of the countersink.

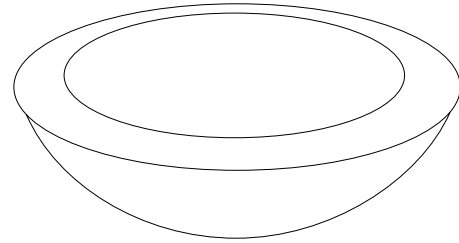
Recommended Drain: LK174LO or LKAD174LO.

Installation: Mounts to the countertop using the drain fitting.

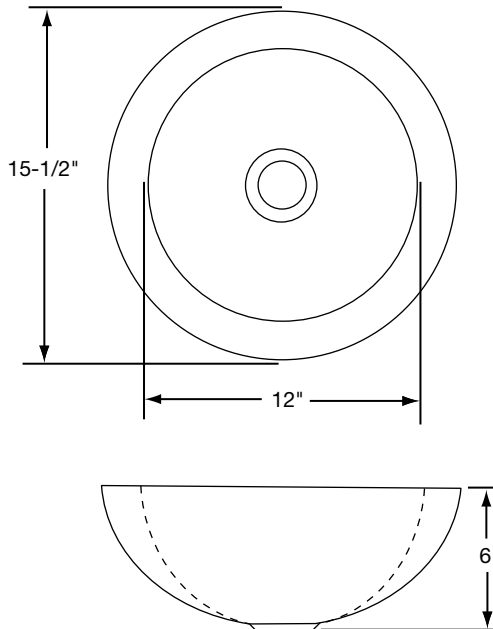
See illustrated profile below. Product does not have an overflow. Observe all local codes.

#### SINK DIMENSIONS (INCHES)

Model Number	Overall	Inside Bowl	Depth	Cutout in Countertop	Minimum Cabinet Size	Ship. Wt. Lbs.
VESSEL16SMS	15 1/2" Dia.	12" Dia.	6"	3" Dia.	12"	14
VESSEL16SSS	15 1/2" Dia.	12" Dia.	6"	3" Dia.	12"	14

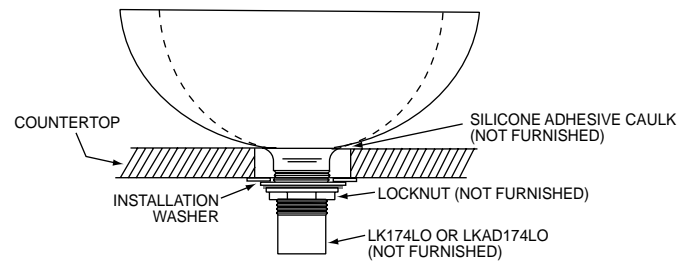


Models VESSEL16SMS  
and VESSEL16SSS



#### Installation Profile of VESSEL Models

This is the only type of installation recommended by Elkay.



ALL DIMENSIONS IN INCHES, TO CONVERT TO MILLIMETERS MULTIPLY BY 25.4.

*In keeping with our policy of continuing product improvement, Elkay reserves the right to change product specifications without notice.*

*This specification describes an Elkay product with design, quality and functional benefits to the user. When making a comparison of other producers' offerings, be certain these features are not overlooked.*