

ELKAY® SPECIFICATIONS

Asana™ Collection Lavatory Sink Model EFL1616

GENERAL

Highest quality sink formed of #18 (1.2mm) gauge, type 304 (18-8) nickel bearing stainless steel. Self-rimming.

DESIGN FEATURES

Bowl Depth: 6" (152mm).

Coved Corners: Zero radius.

Rim Height: 2-1/4" (57mm).

Finish: Exposed surfaces are polished to a matte satin finish.

Underside: Sound deadening pad on bottom.

OTHER

Drain Opening: 1-1/2" (38mm), 2-1/4" (57mm) O.D. at the top of the countersink. Arranged for standard lavatory type drain fitting.

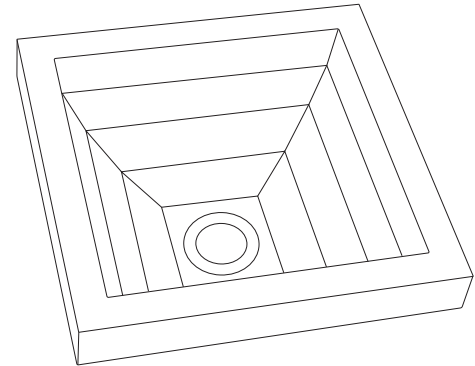
Overflow: Assembly included.

Installation: See illustrated profile below.

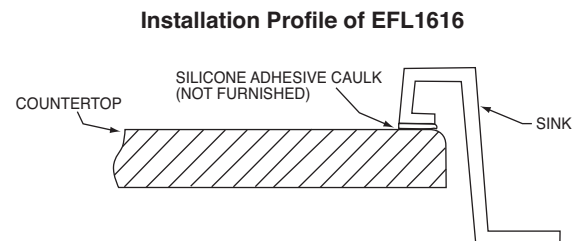
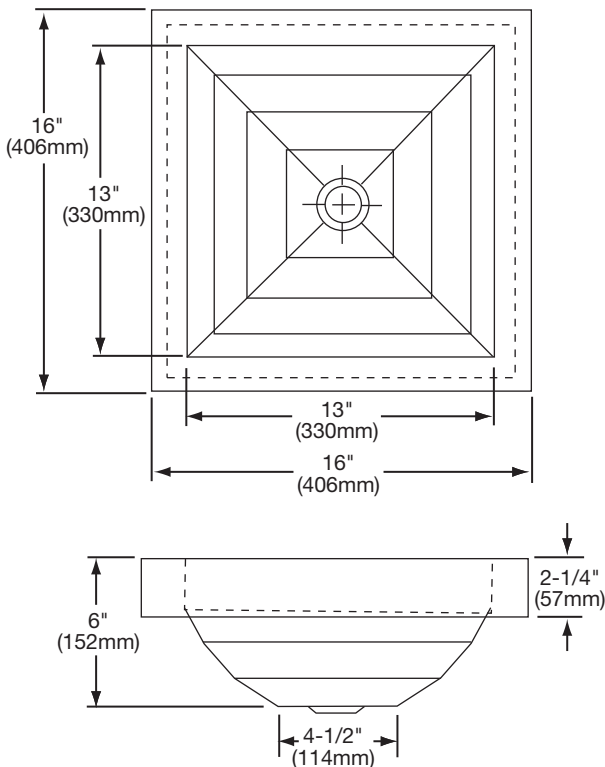
SINK DIMENSIONS*

Model Number	Overall		Inside Bowl			Cutout in Countertop [1/4" (6mm) Radius Corners]		Minimum Cabinet Size
	L	W	L	W	D	L	W	
EFL1616	16 (406mm)	16 (406mm)	13 (330mm)	13 (330mm)	6 (152mm)	15 1/4 (387mm)	15 1/4 (387mm)	21 (533mm)

*Length is left to right. Width is front to back.



Model EFL1616



In keeping with our policy of continuing product improvement, Elkay reserves the right to change product specifications without notice. Please visit elkayusa.com for most current version of Elkay product specification sheets.

This specification describes an Elkay product with design, quality and functional benefits to the user. When making a comparison of other producers' offerings, be certain these features are not overlooked.

Elkay

elkayusa.com

2222 Camden Court
Oak Brook, IL 60523

Printed in U.S.A.
©2008 Elkay

(Rev. 7/08) 1-223A