

ELKAY[®]

SPECIFICATIONS

Asana™ Collection
Lavatory Sink
Model EFL1515

GENERAL

Highest quality sink bowl fabricated of #18 gauge, type 304 (18-8) nickel bearing stainless steel. Self-rimming.

DESIGN FEATURES

Bowl Depth: 6".

Coved Corners: Zero radius.

Rim Height: 2-1/4".

Finish: Exposed surfaces are polished to a matte satin finish.

Underside: Sound deadening pad on bottom.

OTHER

Drain Opening: 1-1/2", 2-1/4" O.D. at the top of the counter-sink. Arranged for standard lavatory type drain fitting.

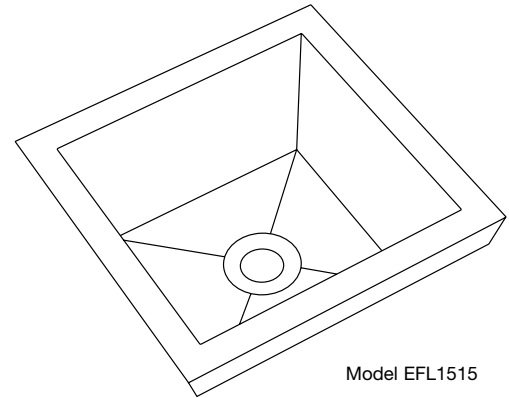
Overflow: Assembly included.

Installation: See illustrated profile below.

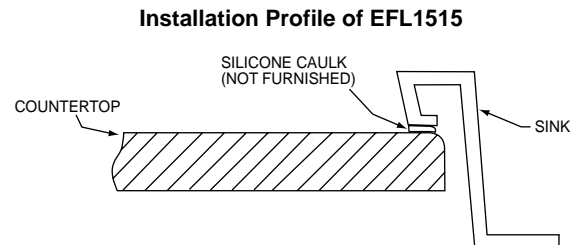
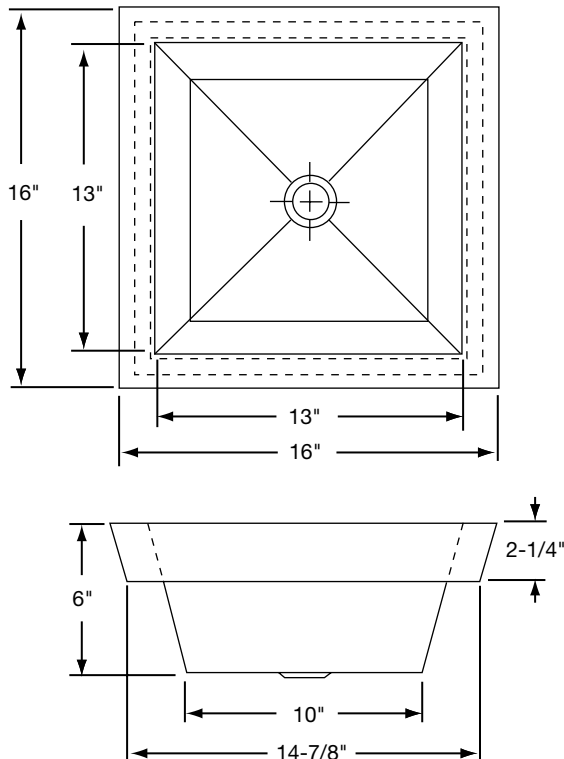
SINK DIMENSIONS (INCHES)*

Model Number	Overall		Inside Bowl			Cutout in Countertop (1/4" Radius Corners)		Minimum Cabinet Size	Ship. Wt. Lbs.
	L	W	L	W	D	L	W		
EFL1515	16	16	13	13	6	14 ¹ / ₈	14 ¹ / ₈	21	18 ³ / ₄

*Length is left to right. Width is front to back.



Model EFL1515



ALL DIMENSIONS IN INCHES, TO CONVERT TO MILLIMETERS MULTIPLY BY 25.4.

In keeping with our policy of continuing product improvement, Elkay reserves the right to change product specifications without notice.

This specification describes an Elkay product with design, quality and functional benefits to the user. When making a comparison of other producers' offerings, be certain these features are not overlooked.