

ELKAY® SPECIFICATIONS

Avado™ Collection Undermount Single Bowl Sink Model EFU131610

GENERAL

Highest quality sink fabricated of #16 gauge, type 304 (18-8) nickel bearing stainless steel.

DESIGN FEATURES

Bowl Depth: 10".

Coved Corners: Zero radius.

Finish: Exposed surfaces are polished to a bright satin finish.

Underside: Fully protected by heavy duty Sound Guard® under-coating to dampen sound and prevent condensation.

OTHER

Drain Opening: 3-1/2".

NOTE: All Elkay undermount sinks are designed to attach to the underside of any solid surface countertop.

This sink complies with ASME A112.19.3.

OPTIONAL ACCESSORIES

Rinsing Baskets: LKWRB1316SS, LKWERBSS.

Utensil Caddy for Rinsing Basket: LKWUCSS.

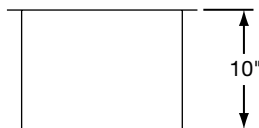
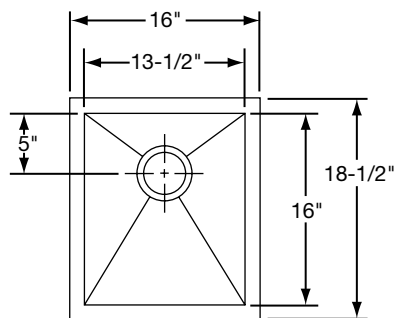
Bottom Grid: LKWOBG1316SS.

SINK DIMENSIONS (INCHES)*

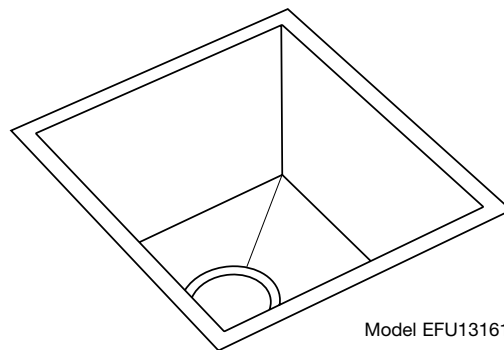
Model Number	Overall		Inside Bowl			Cutout in Countertop	Minimum Cabinet Size
	L	W	L	W	D		
EFU131610	16	18 1/2	13 1/2	16	10	See Template**	21

*Length is left to right. Width is front to back.

**Template and countertop mounting clips are packed with every sink.



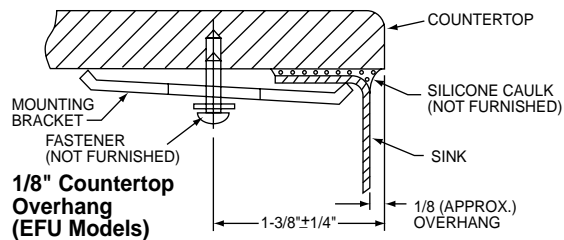
Model EFU131610 Illustrated



Model EFU131610

Installation Profile of EFU Models

The template provided with each EFU sink provides the only type of installation recommended by Elkay.



ALL DIMENSIONS IN INCHES, TO CONVERT TO MILLIMETERS MULTIPLY BY 25.4.

In keeping with our policy of continuing product improvement, Elkay reserves the right to change product specifications without notice.

This specification describes an Elkay product with design, quality and functional benefits to the user. When making a comparison of other producers' offerings, be certain these features are not overlooked.