

ELKAY® SPECIFICATIONS

elumina™ by Elkay Double Bowl Sink Models ECG3322 and ECG332210 Series

GENERAL

Fine quality sink formed of #18 (1.2mm) gauge, type 304 nickel bearing stainless steel. Self-rimming.

DESIGN FEATURES

Bowl Depth: 8-3/8" (213mm) (ECG3322L/ECG3322R); 8-3/8" (213mm) small bowl and 10-3/8" (264mm) large bowl (ECG332210L/ECG332210R).

Bowl and Faucet Deck Recess: 3/8" (10mm) below outside edge of sink.

Finish: Exposed surfaces are polished to a non-directional soft satin finish.

Underside: Sound absorbing pads applied to dampen sound.

Aqueduct (recessed partition) allows water to flow to adjacent bowl before overflowing sink.

OTHER

Drain Opening: 3-1/2" (89mm).

NOTE: Unless otherwise specified, sink is furnished with 3 faucet holes as shown.

OPTIONAL ACCESSORIES

Rinsing Baskets: LKRB1611 (large bowl) or LKERBSS (large bowl).

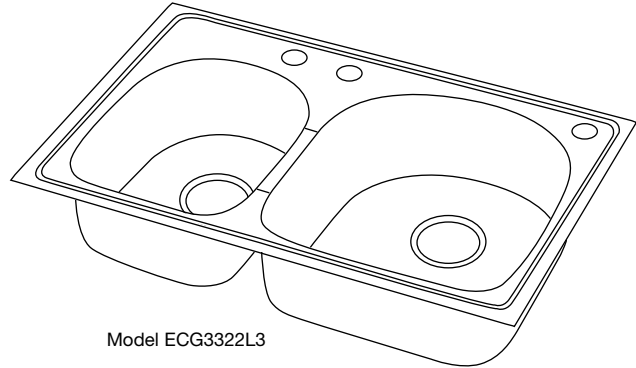
Bottom Grid: LKOBG1716 (large bowl).

Cutting Board: CB1713 (large bowl).

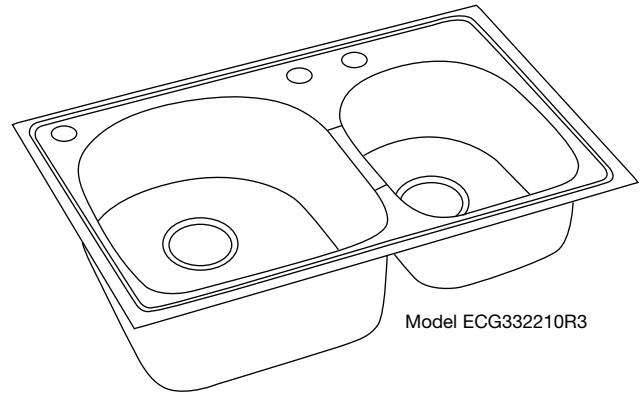
These sinks comply with ASME A112.19.3.



These sinks are listed by the International Association of Plumbing and Mechanical Officials as meeting the requirements of the Uniform Plumbing Code.



Model ECG3322L3

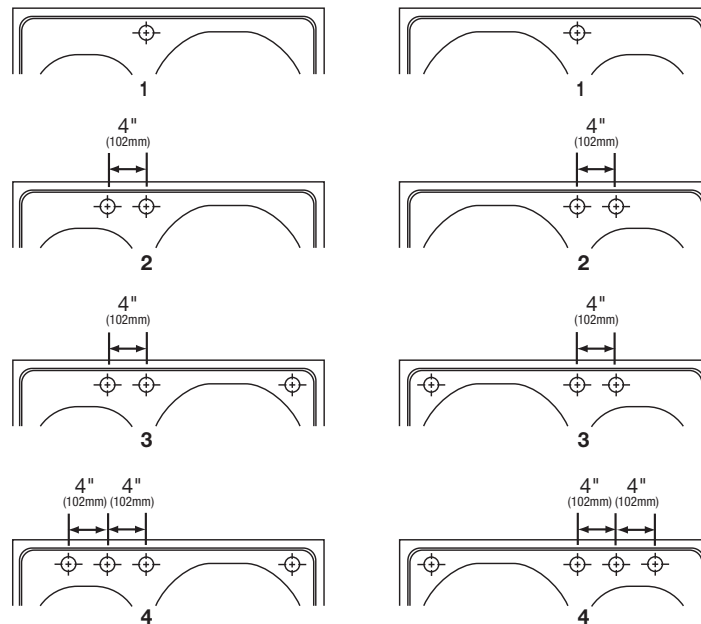


Model ECG332210R3

HOLE DRILLING CONFIGURATIONS

Left Version

Right Version



SEE OTHER SIDE FOR PRODUCT DIMENSIONS.

In keeping with our policy of continuing product improvement, Elkay reserves the right to change product specifications without notice. Please visit elkayusa.com for most current version of Elkay product specification sheets.

This specification describes an Elkay product with design, quality and functional benefits to the user. When making a comparison of other producers' offerings, be certain these features are not overlooked.

Elkay

elkayusa.com

2222 Camden Court
Oak Brook, IL 60523

Printed in U.S.A.
©2008 Elkay

(Rev. 7/08) 1-201B

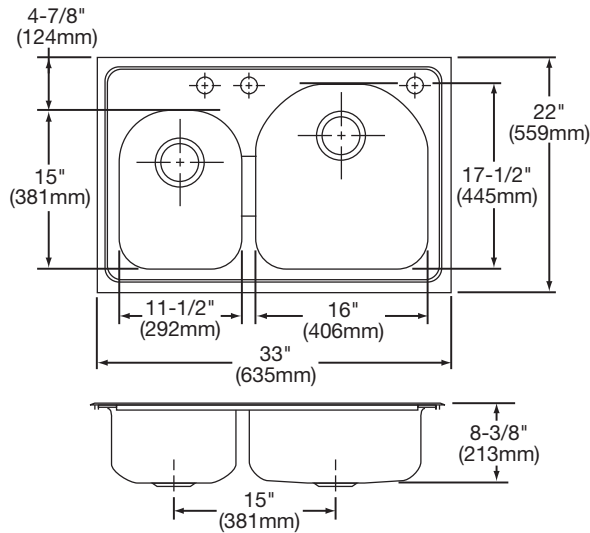
elumina™ by Elkay Double Bowl Sink
Models ECG3322 and ECG332210 Series

ELKAY®
SPECIFICATIONS

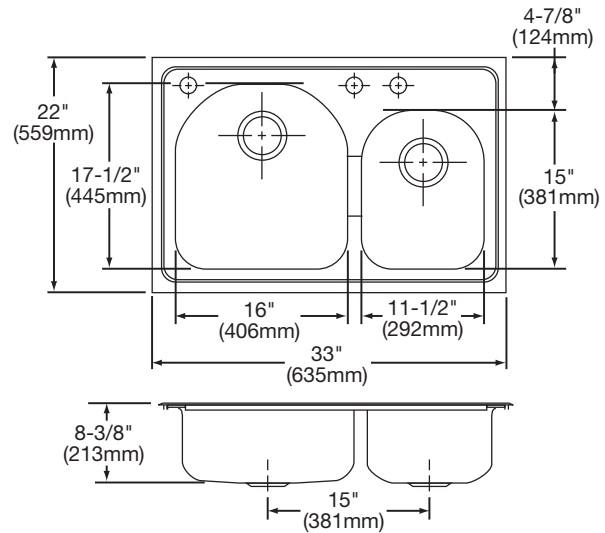
SINK DIMENSIONS*

| Model Number | Overall | | Inside Left Bowl | | | Inside Right Bowl | | | Cutout in Countertop [1 1/2" (38mm) Radius Corners] | | No. of 1 1/2" (38mm) Dia. Faucet Holes 4" (102mm) Centers | Minimum Cabinet Size |
|--------------|---------------|---------------|-------------------|-------------------|-------------------|-------------------|-------------------|-------------------|--|-------------------|--|----------------------|
| | L | W | L | W | D | L | W | D | L | W | | |
| ECG3322L | 33 (635mm) | 22 (559mm) | 11 1/2 (292mm) | 15 (381mm) | 8 3/8 (213mm) | 16 (406mm) | 17 1/2 (445mm) | 8 3/8 (213mm) | 32 3/8 (822mm) | 21 3/8 (543mm) | 1, 2, 3 or 4 | 36 (914mm) |
| ECG332210L | 33 (635mm) | 22 (559mm) | 11 1/2 (292mm) | 15 (381mm) | 8 3/8 (213mm) | 16 (406mm) | 17 1/2 (445mm) | 10 3/8 (264mm) | 32 3/8 (822mm) | 21 3/8 (543mm) | 1, 2, 3 or 4 | 36 (914mm) |
| ECG3322R | 33 (635mm) | 22 (559mm) | 16 (406mm) | 17 1/2 (445mm) | 8 3/8 (213mm) | 11 1/2 (292mm) | 15 (381mm) | 8 3/8 (213mm) | 32 3/8 (822mm) | 21 3/8 (543mm) | 1, 2, 3 or 4 | 36 (914mm) |
| ECG332210R | 33 (635mm) | 22 (559mm) | 16 (406mm) | 17 1/2 (445mm) | 10 3/8 (264mm) | 11 1/2 (292mm) | 15 (381mm) | 8 3/8 (213mm) | 32 3/8 (822mm) | 21 3/8 (543mm) | 1, 2, 3 or 4 | 36 (914mm) |

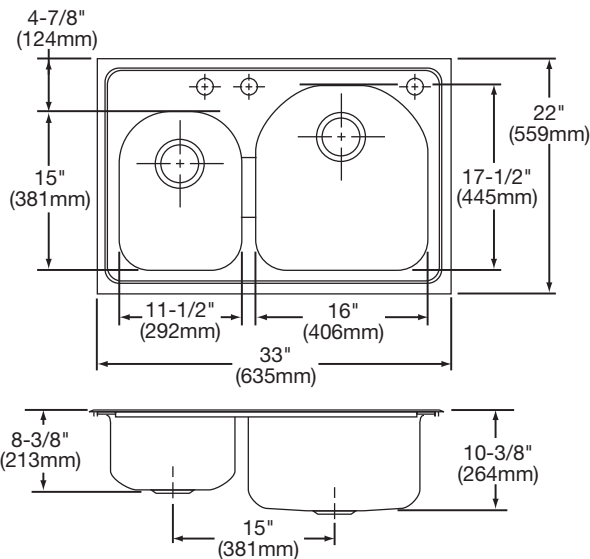
*Length is left to right. Width is front to back.



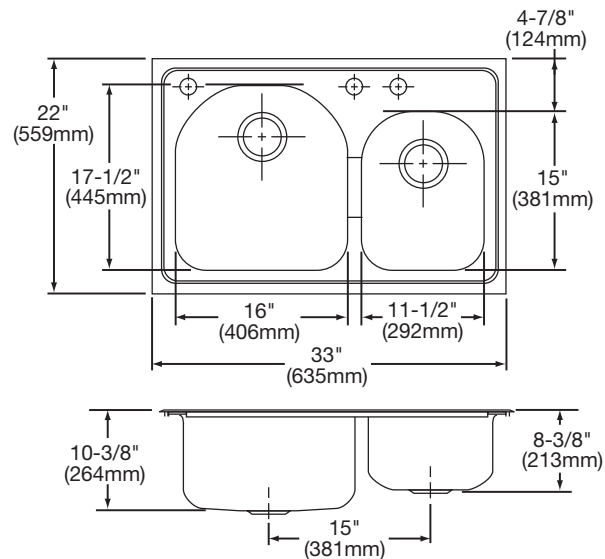
ECG3322L Illustrated



ECG3322R Illustrated



ECG332210L Illustrated



ECG332210R Illustrated