

ELKAY® SPECIFICATIONS

Contemporary Gourmet Triple Bowl Sink Model DLCGR402210

GENERAL

Highest quality sink seamlessly drawn of #18 gauge, type 304 (18-8) nickel bearing stainless steel. Underside of sink is fully protected by heavy duty Sound Guard® undercoating. Designed to accept waste disposer.

DESIGN FEATURES

Bowl Depth: 10-1/8" (left bowl), 5-11/16" (center), 7-5/8" (right bowl).

Finish: Exposed surfaces are hand blended to a lustrous highlighted satin finish.

Underside: Fully protected by heavy duty Sound Guard® undercoating to prevent condensation and deaden sound.

OTHER

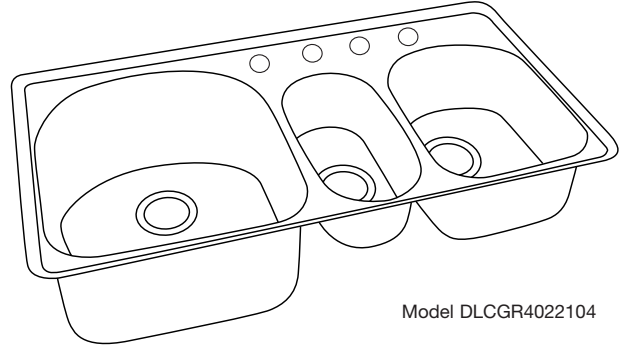
Drain Openings: 3-1/2".

OPTIONAL ACCESSORIES

Rinsing Baskets: LKRB1614 and LKERBSS.

Bottom Grid: LKOBG1821.

Complies with ANSI Standard A112.19.3M.

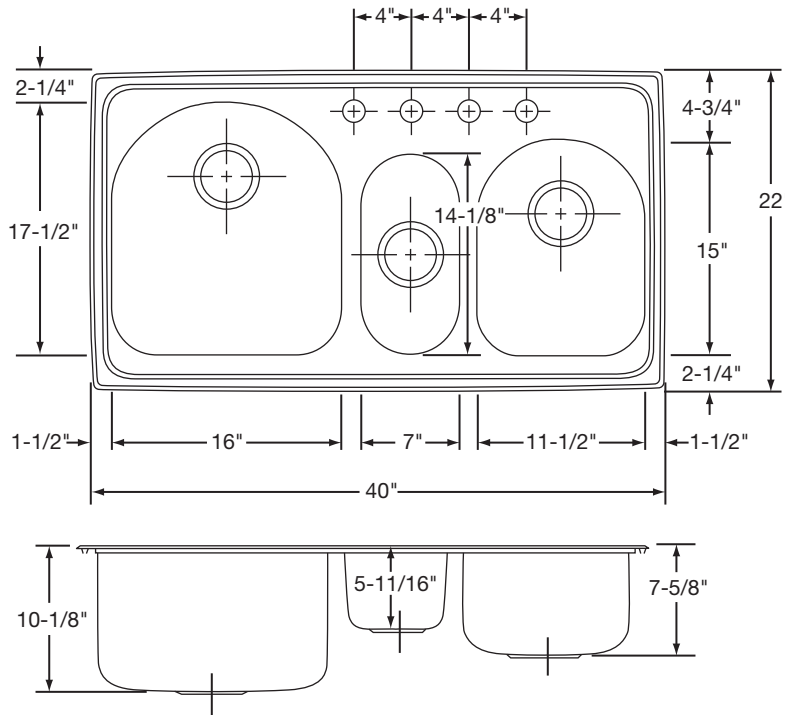


Model DLCGR4022104

SINK DIMENSIONS (INCHES)*

Model Number	Overall		Inside Left Bowl			Inside Center Bowl			Inside Right Bowl			Cutout in Countertop (1 1/2" Radius Corners)		No. of 1 1/2" Dia. Faucet Holes 4" Center	Minimum Cabinet Size	Ship. Wt. Lbs.
	L	W	L	W	D	L	W	D	L	W	D	L	W			
DLCGR402210	40	22	16	17 1/2	10 1/8	7	14 1/8	5 11/16	11 1/2	15	7 5/8	39 3/8	21 3/8	1, 2, 3 or 4	45	33

*Length is left to right. Width is front to back.



Model DLCGR4022104 Illustrated

ALL DIMENSIONS IN INCHES, TO CONVERT TO MILLIMETERS MULTIPLY BY 25.4.

In keeping with our policy of continuing product improvement, Elkay reserves the right to change product specifications without notice.

This specification describes an Elkay product with design, quality and functional benefits to the user. When making a comparison of other producers' offerings, be certain these features are not overlooked.