

ELKAY[®]

SPECIFICATIONS

Elite by Elkay™ Single Bowl Sink Model ESE2522

GENERAL

Good quality sink formed of #20 gauge, type 301 nickel bearing stainless steel. Self-rimming.

DESIGN FEATURES

Bowl Depth: 8-1/16".

Coved Corners: 3" vertical radius, 2-1/4" horizontal radius.

Bowl Recess: 3/16" below outside edge of sink. Raised faucet deck.

Finish: Exposed surfaces are polished to an ultra radiant finish. Deck and bowl radius have mirror finish.

Underside: Fully undercoated to dampen sound and prevent condensation.

OTHER

Drain Opening: 3-1/2".

Note: Unless otherwise specified, sink is furnished with 4 faucet holes as shown.

This sink does NOT comply with ASME A112.19.3.

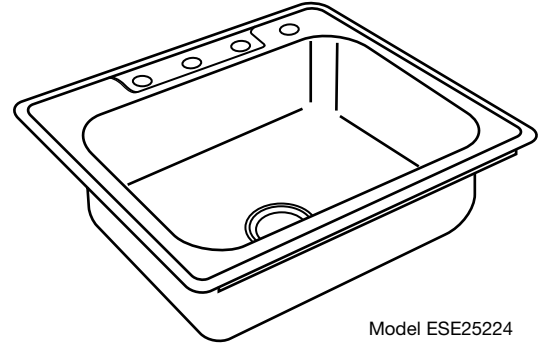
OPTIONAL ACCESSORIES

Rinsing Baskets: LKWRB2115SS, LKWERBSS.

Utensil Caddy for Rinsing Basket: LKWUCSS.

Bottom Grid: LKWBG2115SS.

Cutting Board: CB1516.

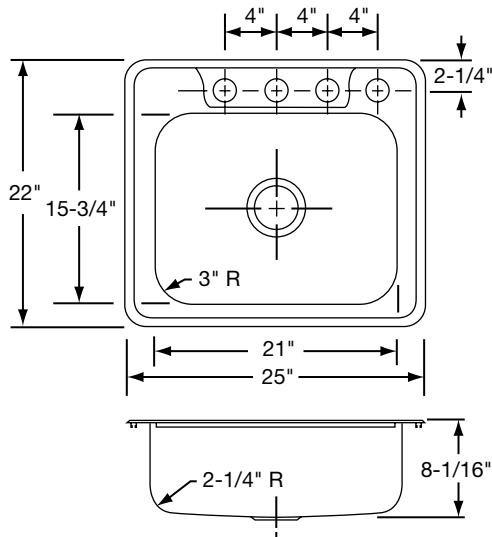


Model ESE25224

SINK DIMENSIONS (INCHES)*

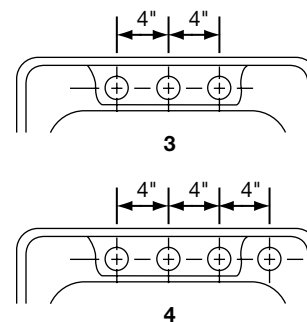
Model Number	Overall		Inside Bowl			Cutout in Countertop 1 1/2" Radius Corners		No. of 1 1/2" Dia. Faucet Holes	Minimum Cabinet Size
	L	W	L	W	D	L	W		
ESE2522	25	22	21	15 3/4	8 1/16	24 3/8	21 3/8	3 or 4	30

*Length is left to right. Width is front to back.



Model ESE25224 Illustrated

HOLE DRILLING CONFIGURATIONS



ALL DIMENSIONS IN INCHES, TO CONVERT TO MILLIMETERS MULTIPLY BY 25.4.

In keeping with our policy of continuing product improvement, Elkay reserves the right to change product specifications without notice.

This specification describes an Elkay product with design, quality and functional benefits to the user. When making a comparison of other producers' offerings, be certain these features are not overlooked.

Elkay

elkayusa.com

2222 Camden Court
Oak Brook, IL 60523

Printed in U.S.A.
©2007 Elkay

(Rev. 7/07) 1-150B