

ELKAY[®] SPECIFICATIONS

Harmony[®] Undermount Single Bowl Sink Models ELU1716 and ELUH1716

GENERAL

Highest quality sink formed of #18 (1.2mm) gauge, type 304 (18-8) nickel bearing stainless steel. Select models available with Statement feature. Undermount.

DESIGN FEATURES

Bowl Depth: 7-1/2" (191mm).

Finish ELU1716: Exposed surfaces are hand blended to a Lustrous Satin finish.

Finish ELUH1716: Exposed surfaces are hand blended to a Lustrous Highlighted Satin finish.

Underside: Underside of sink is fully protected by heavy duty Sound Guard™ undercoating to reduce condensation and dampen sound.

OTHER

Drain Opening: 3-1/2" (89mm).

Note: All Elkay undermount sinks are designed to affix to the underside of any solid surface countertop.

Installation: See illustrated profile below.

Sink complies with ASME A112.19.3-2008 / CSA B45.4-08.



These sinks are listed by the International Association of Plumbing and Mechanical Officials as meeting the requirements of the Uniform Plumbing Code.

OPTIONAL ACCESSORIES

Bottom Grid: LKWOBG1617SS

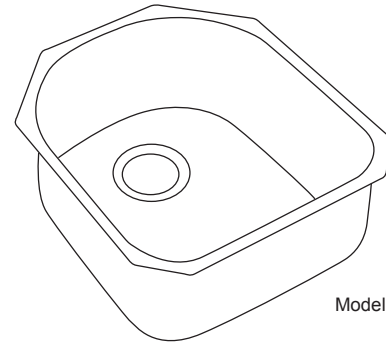
Cutting Board: CB1713 (ELUH model only)

Drain: LK99

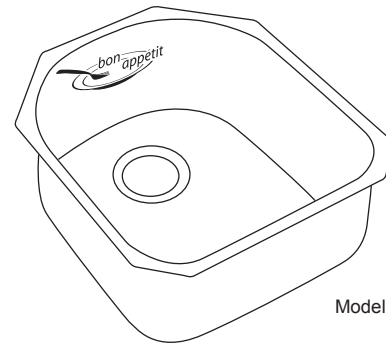
Mounting Clip: LKUCLIP8

Rinsing Baskets: LKWRB1617SS, LKWERBSS

Utensil Caddy for Rinsing Basket: LKWUCSS



Model ELU1716



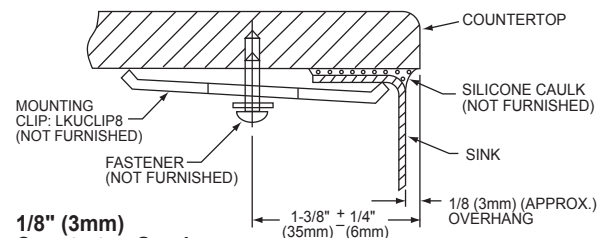
Model ELUH1716BAP

SINK PACKAGE(S)

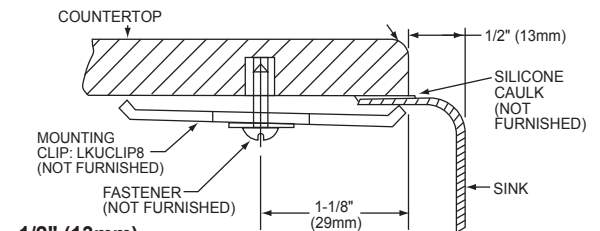
MODEL	SINK	BOTTOM GRID	QTY	DRAIN	QTY
ELU1716DBG	ELU1716	LKWOBG1617SS	1	LK99	1
ELUH1716DBG	ELUH1716	LKWOBG1617SS	1	LK99	1

Installation Profile of ELU and ELUH Single Bowl Models

The template provided with each ELU/ELUH sink provides the only type of installation recommended by Elkay.



**1/8" (3mm)
Countertop Overhang
(ELU Single bowl)**



**1/2" (13mm)
Reveal
(ELUH Single bowl)**

OPTIONAL STATEMENT FEATURE

Part No. Suffix for Statement Option	Pattern Name	Pattern Graphic	Pattern Style & Location
BAP	Bon Appetit		Patch – rear wall only, in the left bowl.
BLS	Blossom		Border – all around the sink bowls
GFT	Greek Fret		Border – all around the sink bowls
GRK	Garland Kitchen		Border – all around the sink bowls
CST	Cornerstone		Patch – rear wall only.
CST2010	Cornerstone		
CST2011	Cornerstone		
CST2012	Cornerstone		
VIN	Vino		Border – all around the sink bowls

In keeping with our policy of continuing product improvement, Elkay reserves the right to change product specifications without notice. Please visit elkayusa.com for most current version of Elkay product specification sheets.

This specification describes an Elkay product with design, quality and functional benefits to the user. When making a comparison of other producers' offerings, be certain these features are not overlooked.

Elkay

elkayusa.com

2222 Camden Court
Oak Brook, IL 60523

Printed in U.S.A.
©2011 Elkay

(Rev. 03/11) 1-1311

ELKAY[®]

SPECIFICATIONS

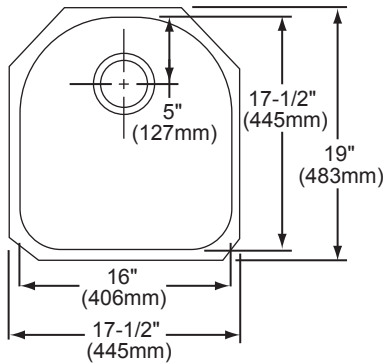
Harmony[®] Undermount Single Bowl Sink Models ELU1716 and ELUH1716

SINK DIMENSIONS*

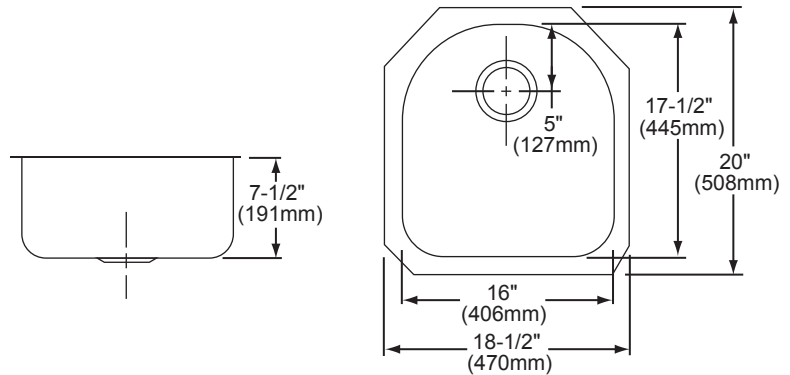
Model Number	Overall		Inside Bowl			Cutout in Countertop	Minimum Cabinet Size
	L	W	L	W	D		
ELU1716	17 1/2 (445mm)	19 (483mm)	16 (406mm)	17 1/2 (445mm)	7 1/2 (191mm)	See Template**	21 (533mm)
ELUH1716	18 1/2 (470mm)	20 (508mm)	16 (406mm)	17 1/2 (445mm)	7 1/2 (191mm)		24 (610mm)
ELUH1716__ (Statement option)	18 1/2 (470mm)	20 (508mm)	16 (406mm)	17 1/2 (445mm)	7 1/2 (191mm)		24 (610mm)

*Length is left to right. Width is front to back.

**Template #74180224 (ELU1716) or #74180249 (ELUH1716) is packed with every sink.



Model ELU1716 Illustrated



Model ELUH1716 Illustrated