

ELKAY®

commercial
products

Water Coolers and Drinking Fountains

LIST PRICE DF-48

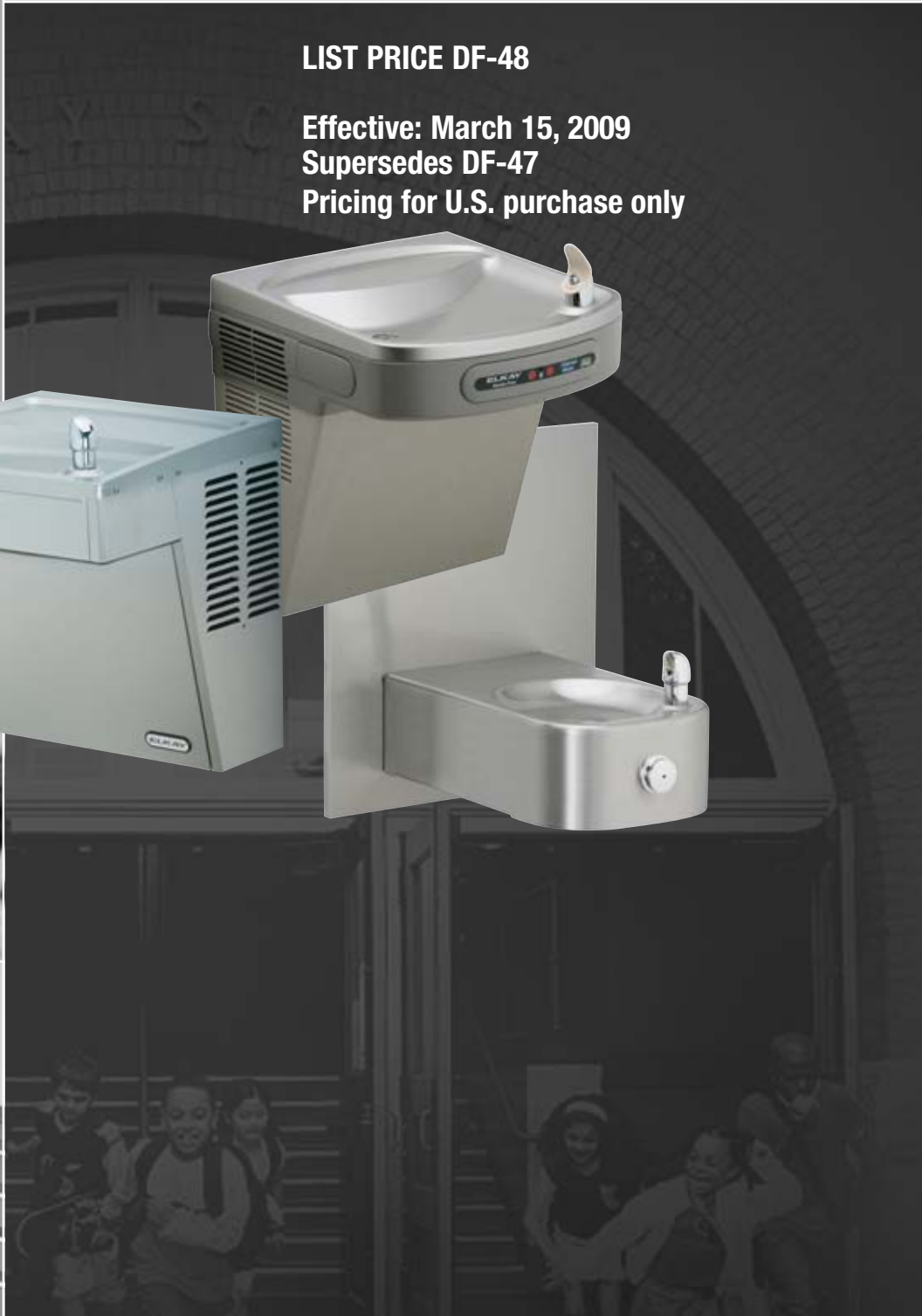
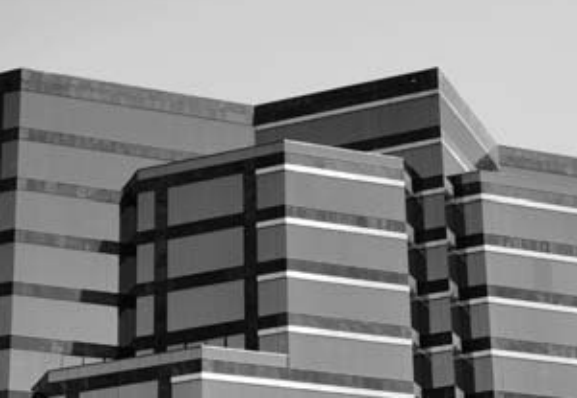
Effective: March 15, 2009

Supersedes DF-47

Pricing for U.S. purchase only



Discover the
professional's choice.™



TERMS AND CONDITIONS

Pricing

Prices and product specifications are subject to change without notice. Pricing for U.S. purchase only.

Terms

2% 10th prox.

Taxes

All Federal, State or Local Taxes, when applicable, will be added.

ELECTRONIC DATA INTERCHANGE (EDI)

Elkay supports the following EDI transaction sets: Inbound Purchase Orders (850), Outbound Invoices (810), Advanced Ship Notice (856), Inbound Remittance Advice (820) and Outbound Order Acknowledgement (855). Please contact Elkay's EDI Coordinator at (630) 574-8484 to discuss the list of current transaction set versions and your implementation requirements.

Warranty

A detailed warranty certificate is enclosed with each water cooler and drinking fountain. Sample copy available on request. See elkayusa.com for full warranty information.

TABLE OF CONTENTS

| TABLE OF CONTENTS | PAGE |
|---|-------|
| Adult or Child ADA Coolers with WaterSentry® | 3-4 |
| Deluxe and Standard Water Coolers with WaterSentry® | 7-8 |
| Adult or Child ADA Compliant Water Coolers | 3-4 |
| ADA Compliant Water Coolers | 3-4 |
| Vandal-Resistant Water Coolers | 3 |
| Deluxe and Standard Water Coolers | 7-8 |
| ADA Compliant Drinking Fountains | 5-6 |
| Drinking Fountains | 9 |
| Water Chillers | 9 |
| Mounting Accessories | 10 |
| Accessories | 10-11 |
| Filters | 10 |
| Alpha/Numerical Product Listing | 12-16 |

Special electrical requirements

Some models are available for use with 220-240 voltage.

Consult with Elkay Customer Service when ordering to specify frequency.

| | SUG. LIST PRICE |
|----------------|-----------------|
| 50H, add | \$45.00 |
| 60H, add | \$80.00 |

NOTE: Minimum 40 psi supply line pressure required in special circumstances when both sides of a bi-level model are in use simultaneously, to ensure adequate stream height. Use of a water filter in this situation is not recommended. Does not apply to non-refrigerated units.



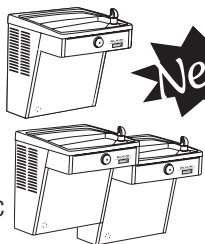
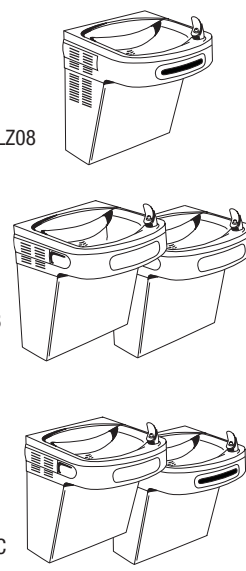



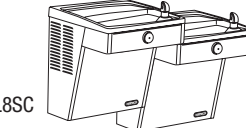

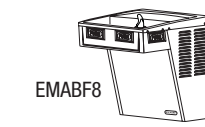
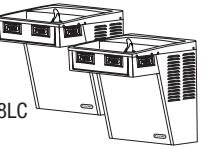
This symbol means model is ADA compliant when properly installed. See specification sheet for details.




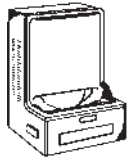



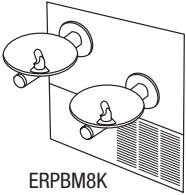

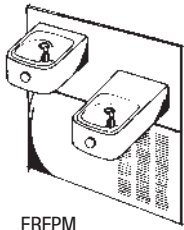

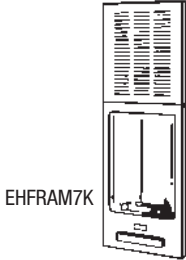
QUESTIONS?

Please contact your ELKAY representative to answer any questions or check our website at elkayusa.com.


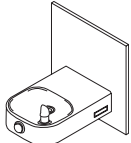
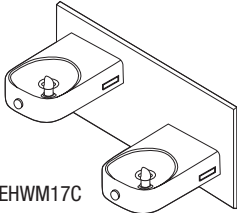

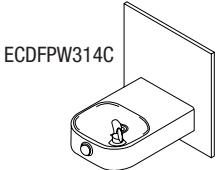

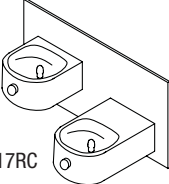



ELKAY®


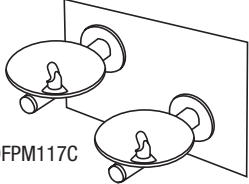

| Series | MODEL NUMBER | DESCRIPTION / OPTIONS | GPH CAP. | SHIP WT. LBS | LIST PRICE | |
|--|--|---|--|--------------|------------|------------|
| VRCGRN GreenSpec® High Efficiency, Adult or Child ADA Series (ADD) | | | | | | |
|  VRCGRN8 VRCGRNTL8C | VRCGRN8 | Single Level | 8 | 66 | \$950.00 | |
| | VRCGRNTL8C | Bi-Level, higher unit on left | 8 | 94 | \$1,520.00 | |
| | LVRCGRN8F | Single Level with WaterSentry® Filter and LK1110 Glass Filler | 8 | 70 | \$1,209.00 | |
| | LVRCGRNTL8FC | Bi-Level Level with WaterSentry® Filter and LK1110 Glass Filler | 8 | 98 | \$1,779.00 | |
| EZ - Adult or Child ADA Series | | | | | | |
|  LZ08 EZSTL8 LZ0STL8C | Adult or Child ADA Compliant  | EZS8 | Single Level | 8.0 | 56 | \$743.00 |
| | | EZ08 | Single Level - Sensor Operated | 8.0 | 56 | \$831.00 |
| | | LZ08 | Single Level - Sensor Operated with WaterSentry® Filter and Filter Monitor | 8.0 | 59 | \$905.00 |
| | LZS8 | Single Level With WaterSentry® Filter | 8.0 | 59 | \$811.00 | |
| | LZ0D | Single Level - Sensor Operated With WaterSentry® Filter and Filter Monitor, without refrigeration (requires electric plug in for solenoid activation) | 8.0 | 33 | \$747.00 | |
| | EZSD | Without refrigeration (requires electric plug in for solenoid activation) | - | 33 | \$577.00 | |
| | EZSTL8C | Bi-Level, higher unit on left | 8.0 | 89 | \$1,297.00 | |
| | EZSTLR8C | Bi-Level Reverse | 8.0 | 89 | \$1,297.00 | |
| | EZOSTL8C | Bi-Level - Sensor Operated, higher unit on left | 8.0 | 89 | \$1,386.00 | |
| | LZSTL8C | Bi-Level with WaterSentry® Filter, higher unit on left | 8.0 | 92 | \$1,365.00 | |
| | EZSTLDDC | Bi-Level unit without refrigeration (requires electric plug in for solenoid activation), higher unit on left | - | 66 | \$1,131.00 | |
| | LZOSTL8C | Bi-Level - Sensor Operated with WaterSentry® Filter and Filter Monitor | 8.0 | 92 | \$1,432.00 | |
| | OPTIONS | | | | | |
| | Stainless Steel Lower Shroud - Single Unit, add | | | | | \$50.00 |
| | Stainless Steel Lower Shroud - Bi-Level Unit, add | | | | | \$100.00 |
| Vandal Resistant Bubbler, add for each bubbler | | | | | \$45.00 | |
| VRC - Adult or Child ADA Vandal Resistant Series | | | | | | |
| Adult or Child ADA Compliant  |  VRC8S | VRC8S | Single Level | 7.8 | 66 | \$909.00 |
| | | LVRC8S | Single Level with WaterSentry® Filter | 7.8 | 68 | \$977.00 |
| | | VRCDS | Single Level without Refrigeration | - | 28 | \$567.00 |
| | | VRCTL8SC | Bi-Level, higher unit on left | 7.8 | 94 | \$1,479.00 |
| |  VRC8S | LVRCTL8SC | Bi-Level with WaterSentry® Filter | 7.8 | 97 | \$1,547.00 |
| | | VRCTLR8SC | Bi-Level Reverse | 7.8 | 94 | \$1,479.00 |
| | | VRCTLDDSC | Bi-Level without Refrigeration, higher unit on left | - | 56 | \$916.00 |
| | | OPTIONS | | | | |
| Louver Screens, add for each set of two (2) screens | | | | | \$45.00 | |
| Frost Resistant, [†] add per basin | | | | | \$433.00 | |
| EMABF - Adult or Child ADA Mechanically Activated Series | | | | | | |
| Adult or Child ADA Compliant  |  EMABF8 | EMABF8 | Mechanical Push Bar Single Level | 8.0 | 72 | \$743.00 |
| | | LMABF8 | Single Level with WaterSentry® Filter | 8.0 | 75 | \$811.00 |
| | | EMABFD | Mechanical Push Bar Single Level without refrigeration | - | 35 | \$577.00 |
| | | EMABFTL8C | Mechanical Push Bar Bi-Level | 8.0 | 93 | \$1,297.00 |
| |  EMABFTL8C | LMABF8C | Bi-Level with WaterSentry® Filter | 8.0 | 96 | \$1,365.00 |
| | | EMABFTLDDC | Mechanical Push Bar Bi-Level without refrigeration | - | 72 | \$1,131.00 |
| | | EMABFTLR8C | Mechanical Push Bar Bi-Level Reverse | 8.0 | 93 | \$1,297.00 |
| | | EMABFTLRDDC | Mechanical Push Bar Bi-Level Reverse without refrigeration | - | 72 | \$1,131.00 |
| OPTIONS | | | | | | |
| Vandal Resistant Bubbler, add for each bubbler | | | | | \$45.00 | |

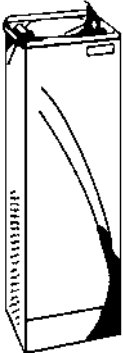
[†] Not recommended with water filtered unit.

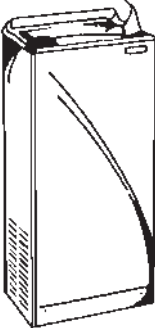
| Series | MODEL NUMBER | DESCRIPTION / OPTIONS | GPH CAP. | SHIP WT. LBS | LIST PRICE |
|---|----------------|--|--|--------------|------------|
| EHFSA - Adult ADA Compliant - Legacy ADA Series | | | | | |
|  EHFSA8  | EHFSA8 | Pushbar front and sides | 7.6 | 73 | \$865.00 |
| | EHFSAD | Pushbar front and sides - non-refrigerated | - | 31 | \$746.00 |
| | OHFAVR8 | Vandal Resistant Indoor/Outdoor | 7.6 | 78 | \$1,540.00 |
| | OPTIONS | | Stainless Steel Cabinet, add | | |
| ECRSP - Soft Sides® SlimLine® Refrigerated Fountain | | | | | |
|  ECRSPM8K  | ECRSPM8K | Single Level | 7.5 | 99 | \$2,536.00 |
| | LCRSPM8K | Single Level with WaterSentry® Filter | 7.5 | 103 | \$2,604.00 |
| | OPTIONS | | Vandal Resistant Bubbler, add | | |
| ERPBM - Swirlflo® Architectural Series | | | | | |
|  ERPBM8K  | ERPBM8K | Single Level | 7.5 | 93 | \$2,844.00 |
| | LRPBM8K | Single Level with WaterSentry® Filter | 7.5 | 94 | \$2,913.00 |
| | ERPBM28K | Bi-Level, higher unit on left | 7.5 | 140 | \$3,911.00 |
| | LRPBM28K | Bi-Level with WaterSentry® Filter, higher unit on left | 7.5 | 141 | \$3,979.00 |
| | ENOBM8K | Single Level - Sensor Operated | 7.5 | 98 | \$3,058.00 |
| | ENOBM28K | Bi-Level - Sensor Operated, higher unit on left | 7.5 | 133 | \$4,116.00 |
| | OPTIONS | | Vandal Resistant Bubbler, add for each bubbler | | |
| ERFPM - Soft Sides® Refrigerated Fountain Series | | | | | |
|  ERFPM  | ERFPM8K | Single Level | 7.5 | 100 | \$2,536.00 |
| | LNFEM8K | Single Level with WaterSentry® Filter | 7.5 | 104 | \$2,604.00 |
| | ERFPM28K | Bi-Level, higher unit on left | 7.5 | 136 | \$3,484.00 |
| | LNTEM8K | Bi-Level with WaterSentry® Filter | 7.5 | 140 | \$3,552.00 |
| | EROM8K | Single Level - Sensor Operated | 7.5 | 100 | \$2,740.00 |
| | EROM28K | Bi-Level - Sensor Operated, higher unit on left | 7.5 | 136 | \$3,689.00 |
| | OPTIONS | | Vandal Resistant Bubbler, add for each bubbler | | |
| EHFRA - Fully Recessed Refrigerated Fountain Series | | | | | |
|  EHFRAM7K  | EHFRAM7K | Wheelchair Access Model | 6.9 | 119 | \$2,962.00 |



* Meets no lead definition of NSF/ANSI 61 only.

| Series | MODEL NUMBER | DESCRIPTION / OPTIONS | GPH CAP. | SHIP WT. LBS | LIST PRICE | |
|--|--|---|----------------------------------|--------------|------------|----------|
| EHW - 14 Gauge Heavy Duty Soft Sides® Series | | | | | | |
| With Surface Mounting Plates Included | | | | | | |
|   EHWM14C | EHWM14C | SlimLine® Single Level, Adult or Child ADA | - | 38 | \$1,599.00 | |
| | EHWM214C | Single Level Adult ADA (Integral P Trap) | - | 51 | \$1,630.00 | |
| | EHWM17C | SlimLine® Bi-Level, Adult or Child ADA, higher unit on left | - | 74 | \$2,726.00 | |
| | EHWM217C | Bi-Level, Adult ADA (Integral P Trap), higher unit on left | - | 80 | \$2,784.00 | |
| | EHWM217RAC | Bi-Level Reversed, Adult ADA | - | 80 | \$2,784.00 | |
| | For use with In-Wall Carrier Mounting Systems (ordered separately) | | | | | |
|  EHW214C | EHW214C | Single Level Adult ADA (Integral P Trap) | - | 46 | \$1,511.00 | |
| | EHW217C | Bi-Level, Adult ADA (Integral P Trap), higher unit on left | - | 75 | \$2,547.00 | |
| | EHW217RAC | Bi-Level Reversed, Adult ADA | - | 75 | \$2,547.00 | |
| OPTIONS | | | | | | |
| | | Freeze Protection, add per basin | | | \$570.00 | |
| ECDF/EDFP - 18 Gauge Soft Sides® Fountain Series | | | | | | |
|   ECDFPW314C | ECDFPW314C | SlimLine® Single Level, Adult or Child ADA | - | 20 | \$1,303.00 | |
| | EDFP214C | Single Level, Adult ADA (Integral P trap) | - | 29 | \$948.00 | |
| | EDFP217C | Bi-Level, Adult ADA, higher unit on left | - | 56 | \$2,014.00 | |
| | EDFP217RAC | Bi-Level Reversed, Adult ADA | - | 56 | \$2,014.00 | |
| | OPTIONS | | | | | |
| | | | Freeze Protection, add per basin | | | \$570.00 |
| | | Vandal Resistant Bubbler, add for each bubbler | | | \$45.00 | |
| EDF COMPOSITE - Premium Composite Material Soft Sides® Fountain Series | | | | | | |
|   EDFPV217RC | EDFP214RC | Single Level Wall Mount - Adult ADA | - | 37 | \$1,033.00 | |
| | EDFP220RC | Dual Station Adult ADA, Push button control | - | 95 | \$2,370.00 | |
| | EDFPV217RC | Dual Station Adult ADA, Vandal Resistant | - | 53 | \$2,391.00 | |
| |  EDFPV217RFPK | Dual Station Adult ADA, Vandal Resistant, Freeze Protection | - | 95 | \$3,285.00 | |
| |  EDFPV320RC | Three Station Adult ADA, Vandal Resistant | - | 126 | \$3,250.00 | |
| | EDFP220RC |  | | | | |

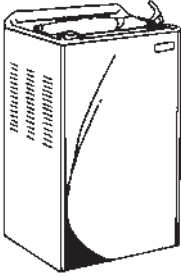
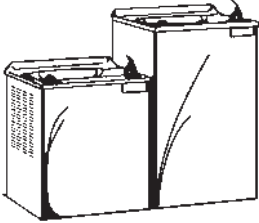
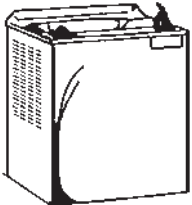

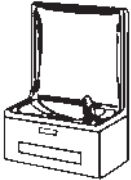
| Series | MODEL NUMBER | DESCRIPTION / OPTIONS | GPH CAP. | SHIP WT. LBS | LIST PRICE |
|--|--------------|---|----------|--------------|------------|
| EDFPB - Swirlflo® Architectural Fountain Series | | With Surface Mounting Plates included | | | |
|   <p>EDfPM117C</p> | EDFPBWM114C | Single Level with wall plate | – | 25 | \$1,778.00 |
| | EDFPBM117C | Bi-Level with wall plate, higher unit on left | – | 71 | \$2,725.00 |
| | EDFPBM117RAC | Bi-Level reverse | – | 71 | \$2,725.00 |
| | | For use with In-Wall Carrier Mounting Systems (ordered separately) | | | |
|  <p>EDfPB114C</p> | EDFPB114C | Single Level | – | 18 | \$1,540.00 |
| | EDFPBW114C | Single Level with wall plate | – | 20 | \$1,659.00 |
| | EDFPB117C | Bi-Level with wall plate, higher unit on left | – | 66 | \$2,488.00 |
| | EDFPB117RAC | Bi-Level reverse | – | 66 | \$2,488.00 |
| | | OPTIONS | | | |
| | | Freeze Protection, add per basin | | | \$570.00 |
| | | Vandal Resistant Bubbler, add for each bubbler | | | \$45.00 |

| Series | MODEL NUMBER | DESCRIPTION / OPTIONS | GPH CAP. | SHIP WT. LBS | LIST PRICE |
|--|-----------------------------|--------------------------|----------|--------------|------------|
| FD Standard Floor Series - Space-ette® | | | | | |
|  <p>FD700</p> | FD7003 | | 3.0 | 63 | \$770.00 |
| | FD7005 | | 5.0 | 63 | \$818.00 |
| | FD70010 | | 9.8 | 64 | \$936.00 |
| | FD700D | Non-refrigerated | - | 30 | \$485.00 |
| | LFDE3 | With WaterSentry® Filter | 3.0 | 67 | \$838.00 |
| | LFDE10 | With WaterSentry® Filter | 9.8 | 68 | \$1,004.00 |
| | OPTIONS | | | | |
| | Stainless Steel Panels, add | | | | \$191.00 |


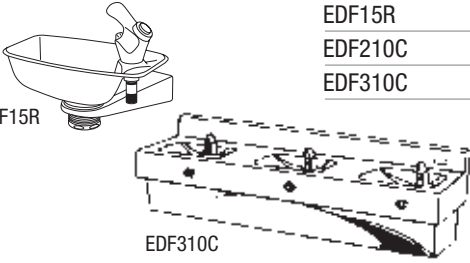
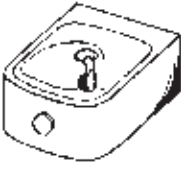
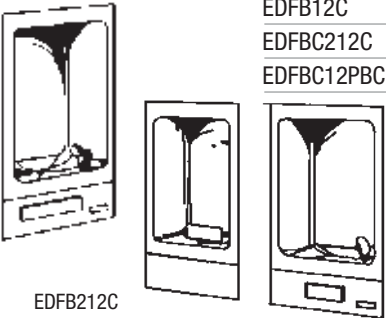
| Series | MODEL NUMBER | DESCRIPTION / OPTIONS | GPH CAP. | SHIP WT. LBS | LIST PRICE |
|--|-----------------------------|---|----------|--------------|------------|
| EFA Deluxe Floor Series | | | | | |
|  <p>EFA4</p> | EFA4 | | 4.0 | 78 | \$924.00 |
| | EFA8 | | 7.6 | 81 | \$972.00 |
| | EFA14 | | 13.5 | 84 | \$1,115.00 |
| | EFA16 * | | 15.5 | 87 | \$1,161.00 |
| | EFA20 * | | 19.5 | 85 | \$1,256.00 |
| | EFDA | Non-refrigerated | - | 55 | \$593.00 |
| | EFHA8 | Hot and Cold Service | 7.6 | 90 | \$1,656.00 |
| | EFOA8 | Sensor Operated | 8.0 | 81 | \$1,185.00 |
| | EFW16 | Water Cooled | 16.0 | 85 | \$1,398.00 |
| | EFWC16 | Corrosion Resistant (stainless steel only) | 16.0 | 85 | \$2,100.00 |
| | EFY8 | Explosion Proof - Stainless Steel Cabinet is Standard | 8.0 | 81 | \$2,607.00 |
| | LFAE8 | With WaterSentry® Filter | 7.6 | 74 | \$1,040.00 |
| | OPTIONS | | | | |
| | Foot Pedal, add | | | | \$85.00 |
| | Stainless Steel Panels, add | | | | \$191.00 |

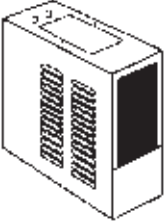
| Series | MODEL NUMBER | DESCRIPTION / OPTIONS | GPH CAP. | SHIP WT. LBS | LIST PRICE |
|---|------------------------------|---|----------|--------------|------------|
| EFR - Fully Recessed Refrigerated Fountain Series | | | | | |
|  <p>EFRM8CDK</p> | EFRM8K | Front Pushbutton | 8.0 | 115 | \$2,607.00 |
| | EFRM12K * | Front Pushbutton | 12.0 | 116 | \$2,726.00 |
| | LJNEM8K | With WaterSentry® Filter | 8.0 | 119 | \$2,675.00 |
| | LJNEM12K * | With WaterSentry® Filter | 12.0 | 120 | \$2,794.00 |
| | EFRM8CDK | With Cup Filler, Cup Dispenser and Waste Bin | 8.0 | 146 | \$4,740.00 |
| | EFRM12CDK * | With Cup Filler, Cup Dispenser and Waste Bin | 12.0 | 147 | \$4,859.00 |
| | EFRPCM8K | With Cuspidor, two mounting boxes, Font Pushbar | 8.0 | 151 | \$4,876.00 |
| ESWA - Simulated Semi-Recessed Series | | | | | |
|  <p>ESWA8</p> | ESWA8 | Front Pushbutton | 7.8 | 66 | \$1,482.00 |
| | ESWDA | Non-refrigerated | - | 45 | \$770.00 |
| | OPTIONS | | | | |
| | Stainless Steel Wrapper, add | | | | \$102.00 |

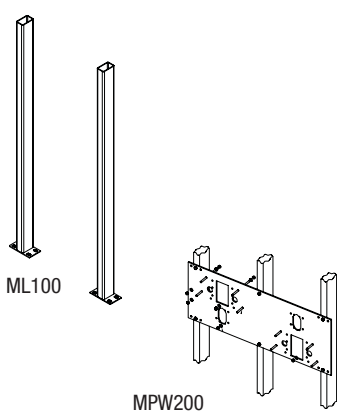
* Meets no lead definition of NSF/ANSI 61 only.

| Series | MODEL NUMBER | DESCRIPTION / OPTIONS | GPH CAP. | SHIP WT. LBS | LIST PRICE |
|--|----------------|--------------------------|----------|--------------|------------|
| EWA - Deluxe Wall Mount Series | | | | | |
|  <p>EWA4</p> | EWA4 | | 4.0 | 66 | \$903.00 |
| | EWA8 | | 7.6 | 69 | \$948.00 |
| | EWA14 | | 13.5 | 72 | \$1,091.00 |
| | EWA16 * | | 15.5 | 76 | \$1,137.00 |
| | EWA20 * | | 19.5 | 74 | \$1,233.00 |
| | EWDA | Non-refrigerated | - | 44 | \$568.00 |
| | LWAE8 | With WaterSentry® Filter | 7.6 | 74 | \$1,016.00 |
| OPTIONS | | | | | |
| Stainless Steel Panels, add | | | | | \$191.00 |
| EWTLA - Deluxe Wall Mount Bi-Level Series | | | | | |
|  <p>EWTLA8</p> | EWTLA8K | | 7.6 | 108 | \$1,540.00 |
| | EWTLA14K | | 13.5 | 112 | \$1,683.00 |
| | EWTLA16K | | 15.5 | 112 | \$1,729.00 |
| | OPTIONS | | | | |
| Stainless Steel Panels, add | | | | | \$224.00 |
| EWCA - Compact Wall Mount Series | | | | | |
|  <p>EWCA4</p> | EWCA4 | | 4.0 | 59 | \$889.00 |
| | EWCA8 | | 7.6 | 64 | \$936.00 |
| | EWCA14 | | 13.5 | 68 | \$1,078.00 |
| | EWCD4 | Non-refrigerated | - | 36 | \$503.00 |
| | LWCE8 | With WaterSentry® Filter | 7.6 | 68 | \$1,004.00 |
| OPTIONS | | | | | |
| Stainless Steel Panels, add | | | | | \$191.00 |
| HEW - Standard Wall Mount Slant Front Series | | | | | |
|  <p>HEW3</p> | HEW3 | | 3.0 | 42 | \$829.00 |
| | HEWD | Non-refrigerated | - | 26 | \$503.00 |
| | OPTIONS | | | | |
| Stainless Steel Panels, add | | | | | \$128.00 |
| EDFP19 - Simulated Semi-Recessed Fountain | | | | | |
|  <p>EDFP19C</p> | EDFP19C | Front Pushbar | - | 21 | \$948.00 |

* Meets no lead definition of NSF/ANSI 61 only.




| Series | MODEL NUMBER | DESCRIPTION / OPTIONS | GPH CAP. | SHIP WT. LBS | LIST PRICE |
|---|----------------|---|----------|--------------|------------|
| DRKR - Countertop Series | | | | | |
|  | DRKR10C | 10" diameter | - | 5 | \$296.00 |
| | DRKR14C | Swirflo® Countertop, 14" diameter | - | 7 | \$474.00 |
| | DRKR14RC | Remote Pushbutton | - | 7 | \$391.00 |
| | OPTIONS | | | | |
| | | Vandal Resistant Bubbler (DRKR14RC only), add | | | \$45.00 |
| EDF Series | | | | | |
|  | EDF15R | Bracket Drinking Fountain | - | 5 | \$267.00 |
| | EDF210C | Two-Station, bottom cover plate included | - | 35 | \$2,903.00 |
| | EDF310C | Three-Station, bottom cover plate included | - | 50 | \$3,199.00 |
| EDFP - Soft Sides® Fountain | | | | | |
|  | EDFP210C | Stainless Steel | - | 19 | \$889.00 |
| | EDFP210RC | Premium Composite Single Level Wall Mount - Push button control | - | 34 | \$974.00 |
| | EDF214WC | Composite Gel Coated Single Level Wall Mount - with LK142 Bubbler | - | 50 | \$741.00 |
| | OPTIONS | | | | |
| | | Freeze Protection (EDFP210C only), add | | | \$570.00 |
| EDFB - Fully Recessed Series | | | | | |
|  | EDFB12C | Front Pushbar | - | 29 | \$1,482.00 |
| | EDFBC212C | Fountain and Cuspidor | - | 56 | \$2,962.00 |
| | EDFBC12PBC | Cuspidor only, with pushbar | - | 30 | \$1,482.00 |
| | OPTIONS | | | | |




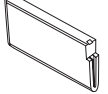



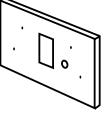
| Series | MODEL NUMBER | DESCRIPTION / OPTIONS | GPH CAP. | SHIP WT. LBS | LIST COST |
|---|--------------|--|----------|--------------|------------|
| Remote Water Chillers | | | | | |
|  | ERS1 | All Stainless Steel Waterway | 1.5 | 35 | \$746.00 |
| | ER2 | | 2.5 | 48 | \$687.00 |
| | ER5 | | 5.7 | 72 | \$1,185.00 |
| | ECH8 | | 8.0 | 47 | \$889.00 |
| | ECP8 | Refrigeration package used in EFR Series | 8.0 | 47 | \$829.00 |
| | ECU8 | Refrigeration package used in EHFRA Series | 8.0 | 47 | \$829.00 |
| | ER10 | | 9.6 | 73 | \$1,304.00 |
| | ER19 | | 19.0 | 100 | \$2,014.00 |
| | ER30 | | 29.5 | 121 | \$2,370.00 |
| | ERW20 | Water Cooled | 19.8 | 100 | \$2,370.00 |
| | ERW32 | Water Cooled | 31.9 | 120 | \$2,488.00 |

| Series | MODEL NUMBER | DESCRIPTION / OPTIONS | SHIP WT. LBS | LIST PRICE |
|---|--------------|---|--------------|------------|
| In-Wall Carrier Mounting Systems | | | | |
|  | MLP100 | Single In-Wall Mounting Frame used on EZ, EMABF, VRC | 36 | \$450.00 |
| | MLP200 | Bi-Level In-Wall Mounting Frame used on EZSTL, EMABFTL, VRCTL | 58 | \$740.00 |
| | ML100 | In-Wall Support Legs (To be used with MPW101, MPW200, MPW201) | 27 | \$320.00 |
| | MPW101 | Single In-Wall Mounting Plate used on EDFP210, EDFP214, EDFPB114, EDFPBW114, EHW214 | 11 | \$124.00 |
| | MPW200 | Bi-Level In-Wall Mounting Plate used on EDFP217, EDFPB117, EHW217 | 40 | \$218.00 |
| | MPW201 | In-Wall Multi-Station Mounting Plate used on EDFP220 | 40 | \$260.00 |

| Mounting Accessories | | | | |
|-----------------------------|--------|---|----|----------|
| | MB23A | Mounting box used on EFRCM8K, EFRCM12K, and EFRPCM8K | 36 | \$261.00 |
| | MB23AL | Mounting box used on LJNEM8K and LJNEM12K | 37 | \$320.00 |
| | MB24 | Mounting box used on EFRPCM8K, EDFB12C, EDFBC12PBC and EDFBC212C | 10 | \$137.00 |
| | MB30 | Mounting box used on EHFRAM7K | 37 | \$332.00 |
| | MF100 | Mounting frame used on LNFEM8K, LRPBM8K, ERFPM8K, EROM8K, ERPBM8K, and ENOBM8K | 19 | \$189.00 |
| | MFC100 | Mounting frame used on ECRSPM8K and LCRSPM8K | 19 | \$189.00 |
| | MF200 | Mounting frame used on LNTEM8K, LNTEM8RAK, LRPBM28K, LRPBM28RAK, ERFPM28K, ERFPM28RAK, EROM28K, EROM28RAK, ERPBM28K, ERPBM28RAK, ENOBM28K, and ENOBM28RAK | 32 | \$236.00 |
| | MP20 | Mounting plate used on EDFPBM117FPK and EDFP217C | 24 | \$237.00 |
| | MP20RA | Mounting plate used on EDFP217RAC and EDFPBM117FPRAK | 24 | \$237.00 |

Unless otherwise indicated, mounting boxes, frames and plates are included with base cooler price.

| Series | MODEL NUMBER | DESCRIPTION / OPTIONS | SHIP WT. LBS | LIST COST |
|---|--------------|---|--------------|-----------|
| Louvered Grills | | | | |
|  | EG1 | Stainless steel for ECH8 | 8 | \$450.00 |
| | EG2 | Painted steel for ECH8 | 8 | \$255.00 |
| | EG3 | Painted steel for ER5, ER10, ER19 | 10 | \$338.00 |
| Filters | | | | |
|  | EWF172 | WaterSentry® Filter Kit - Cyst/Lead Reduction and Sediment-Taste-Odor | 3 | \$91.00 |
| | LF2 | In-Line Water Filter | 2 | \$80.00 |
| | 98262C | Filter Monitor Kit (Internal audio alarm) | 1 | \$256.00 |
| Glass Fillers | | | | |
|  | LK109A | Glass filler with push lever | 2 | \$198.00 |
| | LK1110 | Glass filler with push down control | 1 | \$191.00 |
| | LK1114 | Cup and carafe filler | 2 | \$240.00 |

| MODEL Series | NUMBER | DESCRIPTION / OPTIONS | SHIP WT. LBS | LIST PRICE |
|--|----------|---|--------------|------------|
| Bubblers | | | | |
| LK142  | LK142 | Bubbler, push-down, lead-free | 1 | \$114.00 |
| | 45392C | Vandal-resistant bubbler | 1 | \$45.00 |
| | 56073C | Flexi-Guard bubbler | 1/8 | \$17.00 |
| Bubbler Kits | | | | |
| 98481C  | 97446C | Vandal-resistant bubbler kit and hardware | 2 | \$80.00 |
| | 98481C | Vandal-resistant StreamSaver™ Bubbler Kit | 4 | \$100.00 |
| | 98501C | Flexi-Guard® StreamSaver™ Bubbler Kit | 1/2 | \$25.00 |
| Aprons | | | | |
| 97258C  | 97258C | Apron for use on EDFP217C, EDFP217RAC, EDFP217FPK, ERFPM28K, ERFPM28RAK, EROM28K, EROM28RAK, LNTEM8K and LNTEM8RAK (Not factory installed, only available in black) | 3 | \$164.00 |
| | 98234C | Apron for use on VRCTL8SC and LVRCTL8SC | 5 | \$157.00 |
| LKAPR1  | 98324C | Apron for use on EMABF series stainless steel units | 5 | \$189.00 |
| | 98313C | Apron for use on EMABF series light gray granite units | 3 | \$156.00 |
| LKAPREZL  | LKAPR1 | Apron for use on ERPBM28K, ERPBM28RAK, EDFPBM117C, EDFPBM117RAC and EDFPBM117FPK (Not factory installed, only available in gray) | 3 | \$213.00 |
| | LKAPR2 | Apron for use on EHWM17C and EHWM217C, 14 gauge stainless steel (not factory installed) | 5 | \$320.00 |
| | LKAPREZL | Apron for use on EZSTL8C, EZTL8C, EZSTLR8C, EZTLR8C, LZSTL8C, LZTL8C, LZSTLR8C and LZTLR8C (Not factory installed, only available in gray) | 3 | \$157.00 |
| Panels | | | | |
| | AP99 | Access Panel Kit | 3.5 | \$83.00 |
| Post Mount Shelves | | | | |
| PM3  | PM3 | Post mount shelf with brackets for ER2, ER5, ER10, ECH8 and ERS1 | 11 | \$255.00 |
| | PM4 | Post mount shelf with brackets for ER19 and ERW20 | 16 | \$255.00 |
| Wall Bezel | | | | |
| RP2130  | RP2130 | Wall bezel will cover wall surface imperfections left when replacing water cooler models HEW, EWA, EWCA and with ADA compliant models EZ, EZS, EZO, LZ, and LZS. | 4 | \$164.00 |
| Wall Plates | | | | |
| WP2  | WP2 | Wall plate for Soft Sides® models EDFP210C and EDFP214C single station drinking fountains | 3 | \$125.00 |

WATER COOLERS

Legend

- 2*JO = 220V/50Hertz
- 3*JO = 220V/60Hertz
- F = Glass Filler - Prep Only, unless noted with ▲
- FR = Frost Resistant (VRC/LVRC models)
- K = partial backpanel (EFA, EW(TL)A, EWCA models)
- P = Foot Pedal (EFA models)
- SC = Louver Screens (VRC, LVRC models)
- VR = Vandal Resistant Bubbler

| Elkay Model | List Price |
|---------------|------------|
| ⊗ EFA4L1Z | \$924.00 |
| ⊗ EFA4N1Z | \$924.00 |
| ⊗ EFA4S1Z | \$1,115.00 |
| ⊗ EFA4T1Z | \$924.00 |
| ⊗ EFA4LF1Z | \$924.00 |
| ⊗ EFA4LFK1Z | \$935.00 |
| ⊗ EFA4LFP1Z | \$1,009.00 |
| ⊗ EFA4LK1Z | \$935.00 |
| ⊗ EFA4LP1Z | \$1,009.00 |
| ⊗ EFA4LPK1Z | \$1,021.00 |
| ⊗ EFA4SK1Z | \$1,126.00 |
| ⊗ EFA4SK1Z | \$1,126.00 |
| ⊗ EFA4SP1Z | \$1,200.00 |
| ⊗ EFA4TF1Z | \$924.00 |
| ⊗ EFA4L2YJO | \$969.00 |
| ⊗ EFA4S2YJO | \$1,160.00 |
| ⊗ EFA4SF2YJO | \$1,160.00 |
| ⊗ EFA4T2YJO | \$969.00 |
| ⊗ EFA4TK2YJO | \$980.00 |
| EFA8L1Z | \$972.00 |
| ⊗ EFA8N1Z | \$972.00 |
| ⊗ EFA8S1Z | \$1,163.00 |
| ⊗ EFA8T1Z | \$972.00 |
| ⊗ EFA8LF1Z | \$972.00 |
| ⊗ EFA8LFK1Z | \$983.00 |
| ⊗ EFA8LFP1Z | \$1,057.00 |
| ⊗ EFA8LFPK1Z | \$1,069.00 |
| ⊗ EFA8LK1Z | \$983.00 |
| ⊗ EFA8LP1Z | \$1,057.00 |
| ▲ EFA8L1110P | \$1,248.00 |
| ⊗ EFA8SF1Z | \$1,163.00 |
| ⊗ EFA8SFK1Z | \$1,172.00 |
| ⊗ EFA8SFK1Z | \$1,257.00 |
| ⊗ EFA8SK1Z | \$1,172.00 |
| ⊗ EFA8SP1Z | \$1,248.00 |
| ⊗ EFA8L2YJO | \$1,017.00 |
| ⊗ EFA8LF2YJO | \$1,017.00 |
| ⊗ EFA8LFP2YJO | \$1,102.00 |
| ⊗ EFA8LP2YJO | \$1,102.00 |
| ⊗ EFA8S2YJO | \$1,208.00 |
| ⊗ EFA8SF2YJO | \$1,208.00 |
| ⊗ EFA8T2YJO | \$1,017.00 |
| ⊗ EFA8L3YJO | \$1,052.00 |
| ⊗ EFA8LF3YJO | \$1,052.00 |
| ⊗ EFA8S3YJO | \$1,243.00 |
| ⊗ EFA8SF3YJO | \$1,243.00 |
| EFA14L1Z | \$1,115.00 |
| ⊗ EFA14N1Z | \$1,115.00 |
| ⊗ EFA14S1Z | \$1,306.00 |
| ⊗ EFA14T1Z | \$1,115.00 |
| ⊗ EFA14LF1Z | \$1,115.00 |
| ⊗ EFA14LFK1Z | \$1,125.00 |
| ⊗ EFA14LFP1Z | \$1,200.00 |
| ⊗ EFA14LK1Z | \$1,125.00 |
| ⊗ EFA14LP1Z | \$1,200.00 |
| ⊗ EFA14LPK1Z | \$1,210.00 |
| ⊗ EFA14NF1Z | \$1,115.00 |
| ⊗ EFA14SF1Z | \$1,306.00 |
| ⊗ EFA14SFK1Z | \$1,313.00 |
| ⊗ EFA14SFP1Z | \$1,391.00 |
| ⊗ EFA14SK1Z | \$1,313.00 |

| Elkay Model | List Price |
|----------------|------------|
| ⊗ EFA14SP1Z | \$1,391.00 |
| ⊗ EFA14L2YJO | \$1,160.00 |
| ⊗ EFA14LF2YJO | \$1,160.00 |
| ⊗ EFA14LFP2YJO | \$1,245.00 |
| ⊗ EFA14LP2YJO | \$1,245.00 |
| ⊗ EFA14N2YJO | \$1,160.00 |
| ⊗ EFA14S2YJO | \$1,351.00 |
| ⊗ EFA14SF2YJO | \$1,351.00 |
| ⊗ EFA14SP2YJO | \$1,436.00 |
| ⊗ EFA14T2YJO | \$1,160.00 |
| ⊗ EFA14L3YJO | \$1,195.00 |
| ⊗ EFA14LF3YJO | \$1,195.00 |
| ⊗ EFA14S3YJO | \$1,386.00 |
| ⊗ EFA14SF3YJO | \$1,386.00 |
| ⊗ EFA16L1Y | \$1,161.00 |
| ⊗ EFA16N1Y | \$1,161.00 |
| ⊗ EFA16S1Y | \$1,352.00 |
| ⊗ EFA16T1Y | \$1,161.00 |
| ⊗ EFA16LF1Y | \$1,161.00 |
| ⊗ EFA16LFK1Y | \$1,173.00 |
| ⊗ EFA16LFP1Y | \$1,246.00 |
| ⊗ EFA16LK1Y | \$1,173.00 |
| ⊗ EFA16LP1Y | \$1,246.00 |
| ⊗ EFA16SF1Y | \$1,352.00 |
| ⊗ EFA16SFK1Y | \$1,364.00 |
| ⊗ EFA16L2YJO | \$1,206.00 |
| ⊗ EFA16LF2YJO | \$1,206.00 |
| ⊗ EFA16S2YJO | \$1,397.00 |
| ⊗ EFA16SF2YJO | \$1,397.00 |
| ⊗ EFA16T2YJO | \$1,206.00 |
| ⊗ EFA16L3YJO | \$1,241.00 |
| ⊗ EFA16LF3YJO | \$1,241.00 |
| ⊗ EFA16S3YJO | \$1,432.00 |
| ⊗ EFA16SF3YJO | \$1,432.00 |
| ⊗ EFA20L1Y | \$1,256.00 |
| ⊗ EFA20N1Y | \$1,256.00 |
| ⊗ EFA20S1Y | \$1,447.00 |
| ⊗ EFA20T1Y | \$1,256.00 |
| ⊗ EFA20LF1Y | \$1,256.00 |
| ⊗ EFA20LFK1Y | \$1,267.00 |
| ⊗ EFA20LFP1Y | \$1,341.00 |
| ⊗ EFA20LK1Y | \$1,267.00 |
| ⊗ EFA20LP1Y | \$1,341.00 |
| ⊗ EFA20SF1Y | \$1,447.00 |
| ⊗ EFA20SFK1Y | \$1,458.00 |
| ⊗ EFA20SK1Y | \$1,458.00 |
| ⊗ EFA20SP1Y | \$1,532.00 |
| ⊗ EFA20SPK1Y | \$1,543.00 |
| ⊗ EFA20L2YJO | \$1,301.00 |
| ⊗ EFA20LF2YJO | \$1,301.00 |
| ⊗ EFA20LP2YJO | \$1,386.00 |
| ⊗ EFA20S2YJO | \$1,492.00 |
| ⊗ EFA20SF2YJO | \$1,492.00 |
| ⊗ EFA20T2YJO | \$1,301.00 |
| ⊗ EFA20L3YJO | \$1,336.00 |
| ⊗ EFA20LF3YJO | \$1,336.00 |
| ⊗ EFA20S3YJO | \$1,527.00 |
| ⊗ EFA20SF3YJO | \$1,527.00 |
| ⊗ EFA25S2YJO | \$1,833.00 |
| ⊗ EFA25S3YJO | \$1,868.00 |
| EFDAL | \$593.00 |
| EFDAS | \$784.00 |
| ⊗ EFHA8L1Z | \$1,656.00 |
| ⊗ EFHA8N1Z | \$1,656.00 |
| ⊗ EFHA8S1Z | \$1,847.00 |
| ⊗ EFHA8LF1Z | \$1,656.00 |
| ⊗ EFHA8LFP1Z | \$1,741.00 |
| ⊗ EFHA8LP1Z | \$1,741.00 |
| ⊗ EFHA8SFP1Z | \$1,932.00 |
| ⊗ EFOA8L1Z | \$1,185.00 |
| ⊗ EFOA8N1Z | \$1,185.00 |
| ⊗ EFOA8S1Z | \$1,376.00 |
| ⊗ EFOA8T1Z | \$1,185.00 |
| ⊗ EFW16L1Z | \$1,398.00 |

| Elkay Model | List Price |
|----------------|------------|
| ⊗ EFW16N1Z | \$1,398.00 |
| ⊗ EFW16S1Z | \$1,589.00 |
| ⊗ EFW16T1Z | \$1,398.00 |
| ⊗ EFW16LP1Z | \$1,483.00 |
| ⊗ EFW16L2YJO | \$1,443.00 |
| ⊗ EFWC16S1Z | \$2,100.00 |
| ⊗ EFW8S1Z | \$2,607.00 |
| ⊗ EHFS8L1Z | \$865.00 |
| ⊗ EHFS8N1Z | \$865.00 |
| ⊗ EHFS8S1Z | \$967.00 |
| ⊗ EHFS8T1Z | \$865.00 |
| ▲ ⊗ EHFS8LF1Z | \$1,063.00 |
| ▲ ⊗ EHFS8NF1Z | \$1,063.00 |
| ▲ ⊗ EHFS8SF1Z | \$1,165.00 |
| ⊗ EHFS8L2ZJO | \$910.00 |
| ⊗ EHFS8S2ZJO | \$1,012.00 |
| ⊗ EHFS8L3ZJO | \$945.00 |
| ⊗ EHFS8S3ZJO | \$1,047.00 |
| ⊗ EHFSADL | \$746.00 |
| ⊗ EHFSADN | \$746.00 |
| ⊗ EHFSADS | \$848.00 |
| ⊗ EHFSADT | \$746.00 |
| ▲ ⊗ EHFSADLF | \$944.00 |
| EMABF8L | \$743.00 |
| EMABF8S | \$793.00 |
| ⊗ EMABFVR8L | \$788.00 |
| ⊗ EMABFVR8S | \$838.00 |
| EMABFTL8LC | \$1,297.00 |
| EMABFTL8SC | \$1,397.00 |
| ⊗ EMABFTLR8LC | \$1,297.00 |
| ⊗ EMABFTLR8SC | \$1,397.00 |
| ⊗ EMABFTLVR8LC | \$1,387.00 |
| ⊗ EMABFTLVR8SC | \$1,487.00 |
| EMABFDL | \$577.00 |
| ⊗ EMABFDS | \$627.00 |
| EMABFTLDDLC | \$1,131.00 |
| EMABFTLDDSC | \$1,231.00 |
| ⊗ EMABFTLRDDLC | \$1,131.00 |
| ⊗ EMABFTLRDDSC | \$1,231.00 |
| ESWA8L1Z | \$1,482.00 |
| ⊗ ESWA8N1Z | \$1,482.00 |
| ⊗ ESWA8S1Z | \$1,584.00 |
| ⊗ ESWA8T1Z | \$1,482.00 |
| ▲ ⊗ ESWA8LF1Z | \$1,680.00 |
| ⊗ ESWA8L2ZJO | \$1,527.00 |
| ⊗ ESWA8N2ZJO | \$1,527.00 |
| ⊗ ESWA8S2ZJO | \$1,629.00 |
| ⊗ ESWA8T2ZJO | \$1,527.00 |
| ⊗ ESWA8S3YJO | \$1,664.00 |
| ⊗ ESWDAL | \$770.00 |
| ⊗ ESWDAN | \$770.00 |
| ⊗ ESWDAS | \$872.00 |
| ⊗ ESWDAT | \$770.00 |
| ⊗ EWA4L1Z | \$903.00 |
| ⊗ EWA4N1Z | \$903.00 |
| ⊗ EWA4S1Z | \$1,094.00 |
| ⊗ EWA4T1Z | \$903.00 |
| ⊗ EWA4LF1Z | \$903.00 |
| ⊗ EWA4LFK1Z | \$914.00 |
| ⊗ EWA4LK1Z | \$914.00 |
| ⊗ EWA4SF1Z | \$1,094.00 |
| ⊗ EWA4SFK1Z | \$1,105.00 |
| ⊗ EWA4SK1Z | \$1,105.00 |
| ⊗ EWA4L2YJO | \$948.00 |
| ⊗ EWA4S2YJO | \$1,139.00 |
| ⊗ EWA4T2YJO | \$948.00 |
| EWA8L1Z | \$948.00 |
| ⊗ EWA8N1Z | \$948.00 |
| ⊗ EWA8S1Z | \$1,139.00 |
| ⊗ EWA8T1Z | \$948.00 |
| ⊗ EWA8LF1Z | \$948.00 |
| ⊗ EWA8LKF1Z | \$959.00 |
| ⊗ EWA8LK1Z | \$959.00 |
| ⊗ EWA8SF1Z | \$1,139.00 |

▲ = Glass Filler included ⊗ = Non-stock item

| Elkay Model | List Price |
|---------------|------------|
| ⊗ EWA8SFK1Z | \$1,150.00 |
| ⊗ EWA8SK1Z | \$1,147.00 |
| ⊗ EWA8TF1Z | \$948.00 |
| ⊗ EWA8L2YJO | \$993.00 |
| ⊗ EWA8LF2YJO | \$993.00 |
| ⊗ EWA8S2YJO | \$1,184.00 |
| ⊗ EWA8SF2YJO | \$1,184.00 |
| ⊗ EWA8T2YJO | \$993.00 |
| ⊗ EWA8L3YJO | \$1,028.00 |
| ⊗ EWA8LF3YJO | \$1,028.00 |
| ⊗ EWA8S3YJO | \$1,219.00 |
| ⊗ EWA8SF3YJO | \$1,219.00 |
| EWA14L1Z | \$1,091.00 |
| ⊗ EWA14N1Z | \$1,091.00 |
| ⊗ EWA14S1Z | \$1,282.00 |
| ⊗ EWA14T1Z | \$1,091.00 |
| ⊗ EWA14LF1Z | \$1,091.00 |
| ⊗ EWA14LFK1Z | \$1,102.00 |
| ⊗ EWA14LK1Z | \$1,102.00 |
| ⊗ EWA14SF1Z | \$1,282.00 |
| ⊗ EWA14SFK1Z | \$1,293.00 |
| ⊗ EWA14L2YJO | \$1,136.00 |
| ⊗ EWA14LF2YJO | \$1,136.00 |
| ⊗ EWA14S2YJO | \$1,327.00 |
| ⊗ EWA14SF2YJO | \$1,327.00 |
| ⊗ EWA14T2YJO | \$1,136.00 |
| ⊗ EWA14L3YJO | \$1,171.00 |
| ⊗ EWA14LF3YJO | \$1,171.00 |
| ⊗ EWA14S3YJO | \$1,362.00 |
| ⊗ EWA14SF3YJO | \$1,362.00 |
| EWA16L1Y | \$1,137.00 |
| ⊗ EWA16N1Y | \$1,137.00 |
| ⊗ EWA16S1Y | \$1,328.00 |
| ⊗ EWA16T1Y | \$1,137.00 |
| ⊗ EWA16LF1Y | \$1,137.00 |
| ⊗ EWA16LFK1Y | \$1,148.00 |
| ⊗ EWA16LK1Y | \$1,127.00 |
| ⊗ EWA16SFK1Y | \$1,339.00 |
| ⊗ EWA16L2YJO | \$1,182.00 |
| ⊗ EWA16LF2YJO | \$1,182.00 |
| ⊗ EWA16S2YJO | \$1,373.00 |
| ⊗ EWA16SF2YJO | \$1,373.00 |
| ⊗ EWA16T2YJO | \$1,182.00 |
| ⊗ EWA16L3YJO | \$1,217.00 |
| ⊗ EWA16LF3YJO | \$1,217.00 |
| ⊗ EWA16S3YJO | \$1,408.00 |
| ⊗ EWA16SF3YJO | \$1,408.00 |
| ⊗ EWA20L1Y | \$1,233.00 |
| ⊗ EWA20N1Y | \$1,233.00 |
| ⊗ EWA20S1Y | \$1,424.00 |
| ⊗ EWA20T1Y | \$1,233.00 |
| ⊗ EWA20LF1Y | \$1,233.00 |
| ⊗ EWA20LFK1Y | \$1,244.00 |
| ⊗ EWA20LK1Y | \$1,244.00 |
| ⊗ EWA20SFK1Y | \$1,435.00 |
| ⊗ EWA20L2YJO | \$1,278.00 |
| ⊗ EWA20LF2YJO | \$1,278.00 |
| ⊗ EWA20S2YJO | \$1,469.00 |
| ⊗ EWA20SF2YJO | \$1,469.00 |
| ⊗ EWA20T2YJO | \$1,278.00 |
| ⊗ EWA20L3YJO | \$1,313.00 |
| ⊗ EWA20LF3YJO | \$1,313.00 |
| ⊗ EWA20S3YJO | \$1,504.00 |
| ⊗ EWA20SF3YJO | \$1,504.00 |
| ⊗ EWDAL | \$568.00 |
| ⊗ EWDAN | \$568.00 |
| ⊗ EWDAS | \$759.00 |
| ⊗ EWDAT | \$568.00 |
| ⊗ EWDALF | \$568.00 |
| EWCA4L1Z | \$889.00 |
| ⊗ EWCA4N1Z | \$889.00 |
| ⊗ EWCA4S1Z | \$1,080.00 |
| ⊗ EWCA4T1Z | \$889.00 |
| ⊗ EWCA4LF1Z | \$889.00 |

| Elkay Model | List Price |
|----------------|------------|
| ⊗ EWCA4LFK1Z | \$900.00 |
| ⊗ EWCA4LK1Z | \$900.00 |
| ⊗ EWCA4NF1Z | \$889.00 |
| ⊗ EWCA4SF1Z | \$1,080.00 |
| ⊗ EWCA4SFK1Z | \$1,091.00 |
| ⊗ EWCA4SK1Z | \$1,091.00 |
| ⊗ EWCA4TK1Z | \$900.00 |
| ⊗ EWCA4L2YJO | \$934.00 |
| ⊗ EWCA4LF2YJO | \$934.00 |
| ⊗ EWCA4S2YJO | \$1,125.00 |
| ⊗ EWCA4SF2YJO | \$1,125.00 |
| ⊗ EWCA4S3YJO | \$1,160.00 |
| ⊗ EWCA8L1Z | \$936.00 |
| ⊗ EWCA8N1Z | \$936.00 |
| ⊗ EWCA8S1Z | \$1,127.00 |
| ⊗ EWCA8T1Z | \$936.00 |
| ⊗ EWCA8LF1Z | \$936.00 |
| ⊗ EWCA8LFK1Z | \$948.00 |
| ⊗ EWCA8LK1Z | \$948.00 |
| ⊗ EWCA8NF1Z | \$936.00 |
| ⊗ EWCA8SF1Z | \$1,127.00 |
| ⊗ EWCA8SFK1Z | \$1,139.00 |
| ⊗ EWCA8SK1Z | \$1,139.00 |
| ⊗ EWCA8TK1Z | \$948.00 |
| ⊗ EWCA8L2YJO | \$981.00 |
| ⊗ EWCA8LF2YJO | \$981.00 |
| ⊗ EWCA8N2YJO | \$981.00 |
| ⊗ EWCA8S2YJO | \$1,172.00 |
| ⊗ EWCA8SF2YJO | \$1,172.00 |
| ⊗ EWCA8T2YJO | \$981.00 |
| ⊗ EWCA8S3YJO | \$1,207.00 |
| EWCA14L1Z | \$1,078.00 |
| ⊗ EWCA14L2YJO | \$1,123.00 |
| ⊗ EWCA14L3YJO | \$1,158.00 |
| ⊗ EWCA14LF1Z | \$1,078.00 |
| ⊗ EWCA14LF2YJO | \$1,123.00 |
| ⊗ EWCA14LFK1Z | \$1,090.00 |
| ⊗ EWCA14LK1Z | \$1,090.00 |
| ⊗ EWCA14N1Z | \$1,078.00 |
| ⊗ EWCA14NF1Z | \$1,078.00 |
| ⊗ EWCA14S1Z | \$1,269.00 |
| ⊗ EWCA14S2YJO | \$1,314.00 |
| ⊗ EWCA14S3YJO | \$1,349.00 |
| ⊗ EWCA14SF2YJO | \$1,314.00 |
| ⊗ EWCA14SF3YJO | \$1,349.00 |
| ⊗ EWCA14SFK1Z | \$1,281.00 |
| ⊗ EWCA14T1Z | \$1,078.00 |
| ⊗ EWCA14T2YJO | \$1,123.00 |
| ⊗ EWCA14T3YJO | \$1,158.00 |
| ⊗ EWCDAL | \$503.00 |
| ⊗ EWCDAS | \$694.00 |
| ⊗ EWTLA8LK | \$1,540.00 |
| ⊗ EWTLA8SK | \$1,764.00 |
| ⊗ EWTLA8TK | \$1,540.00 |
| ⊗ EWTLA8LFK | \$1,540.00 |
| ⊗ EWTLA8LKK | \$1,552.00 |
| ⊗ EWTLA14LK | \$1,683.00 |
| ⊗ EWTLA14SK | \$1,907.00 |
| ⊗ EWTLA14LFK | \$1,683.00 |
| ⊗ EWTLA14LKK | \$1,695.00 |
| ⊗ EWTLA14SFK | \$1,907.00 |
| ⊗ EWTLA14L2K | \$1,728.00 |
| ⊗ EWTLA14S3K | \$1,987.00 |
| ⊗ EWTLA16LK | \$1,729.00 |
| ⊗ EWTLA16SK | \$1,953.00 |
| ⊗ EWTLA16LFK | \$1,729.00 |
| ⊗ EWTLA16S3K | \$2,033.00 |
| ⊗ EZO4L | \$787.00 |
| ⊗ EZO4S | \$837.00 |
| EZO8L | \$831.00 |
| ⊗ EZO8S | \$881.00 |
| ⊗ EZOVR8L | \$876.00 |
| ⊗ EZOVR8S | \$926.00 |
| ⊗ EZO8L2JO | \$876.00 |

| Elkay Model | List Price |
|----------------|------------|
| ⊗ EZO8S2JO | \$926.00 |
| ⊗ EZO8L3JO | \$911.00 |
| ⊗ EZO8S3JO | \$961.00 |
| ⊗ EZOSTL8LC | \$1,386.00 |
| ⊗ EZOSTL8SC | \$1,486.00 |
| ⊗ EZOSTLVR8LC | \$1,476.00 |
| ⊗ EZOSTLVR8SC | \$1,576.00 |
| ⊗ EZOSTL8L2JOC | \$1,431.00 |
| ⊗ EZOSTL8S2JOC | \$1,531.00 |
| ⊗ EZOSTL8L3JOC | \$1,466.00 |
| ⊗ EZOSTL8S3JOC | \$1,566.00 |
| ⊗ EZODL | \$665.00 |
| ⊗ EZODS | \$715.00 |
| EZS4L | \$699.00 |
| ⊗ EZS4S | \$749.00 |
| ⊗ EZS4LF | \$699.00 |
| ⊗ EZS4SF | \$749.00 |
| EZS8L | \$743.00 |
| ⊗ EZS8S | \$793.00 |
| EZS8LF | \$743.00 |
| ⊗ EZS8SF | \$793.00 |
| ⊗ EZSVR8L | \$788.00 |
| ⊗ EZSVR8S | \$838.00 |
| ⊗ EZS8L2JO | \$788.00 |
| ⊗ EZS8LF2JO | \$788.00 |
| ⊗ EZS8S2JO | \$838.00 |
| ⊗ EZS8SF2JO | \$838.00 |
| ⊗ EZS8L3JO | \$823.00 |
| ⊗ EZS8LF3JO | \$823.00 |
| ⊗ EZS8S3JO | \$873.00 |
| ⊗ EZS8SF3JO | \$873.00 |
| EZSTL8LC | \$1,297.00 |
| EZSTL8SC | \$1,397.00 |
| ⊗ EZSTL8LFC | \$1,297.00 |
| ⊗ EZSTL8SFC | \$1,397.00 |
| ⊗ EZSTLVR8LC | \$1,387.00 |
| ⊗ EZSTLVR8SC | \$1,487.00 |
| ⊗ EZSTL8L2JOC | \$1,342.00 |
| ⊗ EZSTL8S2JOC | \$1,442.00 |
| EZSTLR8LC | \$1,297.00 |
| EZSTLR8SC | \$1,397.00 |
| ⊗ EZSTLR8LFC | \$1,297.00 |
| ⊗ EZSTLR8SFC | \$1,397.00 |
| ⊗ EZSTLVR8LC | \$1,387.00 |
| ⊗ EZSTLVR8SC | \$1,487.00 |
| ⊗ EZSDL | \$577.00 |
| ⊗ EZSDS | \$627.00 |
| ⊗ EZSDLF | \$577.00 |
| ⊗ EZSDSF | \$627.00 |
| ⊗ EZSVRDS | \$672.00 |
| ⊗ EZSTLDDLC | \$1,131.00 |
| ⊗ EZSTLDDSC | \$1,231.00 |
| ⊗ EZSTLDDLFC | \$1,131.00 |
| ⊗ EZSTLDDSFC | \$1,231.00 |
| ⊗ EZSTLRDDLC | \$1,131.00 |
| ⊗ EZSTLRDDSC | \$1,231.00 |
| ⊗ EZSTLVRDDSC | \$1,321.00 |
| FD7003L1Z | \$770.00 |
| ⊗ FD7003N1Z | \$770.00 |
| ⊗ FD7003S1Z | \$961.00 |
| FD7003T1Z | \$770.00 |
| ⊗ FD7003LF1Z | \$770.00 |
| ⊗ FD7003SF1Z | \$961.00 |
| ⊗ FD7003TF1Z | \$770.00 |
| ⊗ FD7003L2YJO | \$815.00 |
| ⊗ FD7003LF2YJO | \$815.00 |
| ⊗ FD7003S2YJO | \$1,006.00 |
| ⊗ FD7003SF2YJO | \$1,006.00 |
| ⊗ FD7003T2YJO | \$815.00 |
| ⊗ FD7003TF2YJO | \$815.00 |
| ⊗ FD7003L3YJO | \$850.00 |
| ⊗ FD7003T3YJO | \$850.00 |
| ⊗ FD7005L1Z | \$818.00 |
| ⊗ FD7005S1Z | \$1,009.00 |

▲ = Glass Filler included ⊗ = Non-stock item

| Elkay Model | List Price |
|-----------------|------------|
| FD7005T1Z | \$818.00 |
| ⊗ FD7005LF1Z | \$818.00 |
| ⊗ FD7005SF1Z | \$1,009.00 |
| ⊗ FD7005TF1Z | \$818.00 |
| ⊗ FD7005L2YJO | \$863.00 |
| ⊗ FD7005LF2YJO | \$863.00 |
| ⊗ FD7005S2YJO | \$1,054.00 |
| ⊗ FD7005SF2YJO | \$1,054.00 |
| ⊗ FD7005T2YJO | \$863.00 |
| ⊗ FD7005TF2YJO | \$863.00 |
| ⊗ FD7005S3YJO | \$1,089.00 |
| ⊗ FD70010L1Z | \$936.00 |
| ⊗ FD70010S1Z | \$1,127.00 |
| FD70010T1Z | \$936.00 |
| ⊗ FD70010LF1Z | \$936.00 |
| ⊗ FD70010SF1Z | \$1,127.00 |
| ⊗ FD70010TF1Z | \$936.00 |
| ⊗ FD70010L2YJO | \$981.00 |
| ⊗ FD70010LF2YJO | \$981.00 |
| ⊗ FD70010S2YJO | \$1,172.00 |
| ⊗ FD70010SF2YJO | \$1,172.00 |
| ⊗ FD70010T2YJO | \$981.00 |
| ⊗ FD70010TF2YJO | \$981.00 |
| ⊗ FD70010L3YJO | \$1,016.00 |
| ⊗ FD70010S3YJO | \$1,207.00 |
| ⊗ FD700DL | \$485.00 |
| ⊗ FD700DT | \$485.00 |
| ⊗ HEW3L1Z | \$829.00 |
| ⊗ HEW3S1Z | \$957.00 |
| HEW3T1Z | \$829.00 |
| ⊗ HEW3L2YJO | \$874.00 |
| ⊗ HEW3S2YJO | \$1,002.00 |
| ⊗ HEW3T2YJO | \$874.00 |
| ⊗ HEWDL | \$503.00 |
| ⊗ HEWDS | \$631.00 |
| ⊗ HEWDT | \$503.00 |
| ⊗ LFAE8L1Z | \$1,040.00 |
| ⊗ LFAE8S1Z | \$1,231.00 |
| ⊗ LFAE8LF1Z | \$1,040.00 |
| ⊗ LFAE8SF1Z | \$1,231.00 |
| ⊗ LFAE8L2YJO | \$1,085.00 |
| ⊗ LFAE8S2YJO | \$1,276.00 |
| ⊗ LFAE8L3YJO | \$1,120.00 |
| ⊗ LFAE8S3YJO | \$1,311.00 |
| ⊗ LFAE14L1Z | \$1,183.00 |
| ⊗ LFAE14S1Z | \$1,374.00 |
| ⊗ LFAE14L3YJO | \$1,263.00 |
| ⊗ LFAE14SF3YJO | \$1,454.00 |
| ⊗ LFAE16SF3YJO | \$1,500.00 |
| ⊗ LFAE20S1Y | \$1,515.00 |
| ⊗ LFAE20SF1Y | \$1,515.00 |
| ⊗ LFAE20SF3YJO | \$1,595.00 |
| ⊗ LFDE3T1Z | \$838.00 |
| ⊗ LFDE10L1Z | \$1,004.00 |
| ⊗ LFDE10S1Z | \$1,195.00 |
| ⊗ LFDE10T1Z | \$1,004.00 |
| ⊗ LFDE10LF1Z | \$1,004.00 |
| ⊗ LFDE10SF1Z | \$1,195.00 |
| ⊗ LFDE10TF1Z | \$1,004.00 |
| ⊗ LFDE10L2YJO | \$1,049.00 |
| ⊗ LFDE10S2YJO | \$1,240.00 |
| ⊗ LFDE10T2YJO | \$1,049.00 |
| ⊗ LMABF8L | \$811.00 |
| ⊗ LMABF8S | \$861.00 |
| ⊗ LMABFVR8L | \$856.00 |
| ⊗ LMABFVR8S | \$906.00 |
| ⊗ LMABFTL8LC | \$1,365.00 |
| ⊗ LMABFTL8SC | \$1,465.00 |
| ⊗ LMABFTLVR8LC | \$1,455.00 |
| ⊗ LMABFTLVR8SC | \$1,555.00 |
| ⊗ LMABFDL | \$645.00 |
| ⊗ LMABFDS | \$695.00 |
| ⊗ LMABFTLDDLC | \$1,199.00 |
| ⊗ LMABFTLDDSC | \$1,299.00 |

| Elkay Model | List Price |
|------------------|------------|
| ▲ ⊗ LVRCGRN8F | \$1,209.00 |
| ▲ ⊗ LVRCGRNTL8FC | \$1,779.00 |
| ⊗ LVRC8S | \$977.00 |
| ⊗ LVRCSC8S | \$1,022.00 |
| ⊗ LVRC8S2JO | \$1,022.00 |
| ⊗ LVRCSC8S2JO | \$1,067.00 |
| ⊗ LVRC8S3JO | \$1,057.00 |
| ⊗ LVRCSC8S3JO | \$1,102.00 |
| ⊗ LVRCTL8SC | \$1,547.00 |
| ⊗ LVRCTLSC8SC | \$1,592.00 |
| ⊗ LVRCTL8S2JOC | \$1,592.00 |
| ⊗ LVRCTLSC8S2JOC | \$1,637.00 |
| ⊗ LVRCTL8S3JOC | \$1,627.00 |
| ⊗ LVRCTLSC8S3JOC | \$1,672.00 |
| ⊗ LVRCTLR8SC | \$1,547.00 |
| ⊗ LVRCDS | \$635.00 |
| ⊗ LVRCSCDS | \$680.00 |
| ⊗ LVRCTLDDSC | \$984.00 |
| ⊗ LVRCTLSCDDSC | \$1,029.00 |
| ⊗ LWAE8L1Z | \$1,016.00 |
| ⊗ LWAE8S1Z | \$1,207.00 |
| ⊗ LWAE8LF1Z | \$1,016.00 |
| ⊗ LWAE8SF1Z | \$1,207.00 |
| ⊗ LWAE8L2YJO | \$1,061.00 |
| ⊗ LWAE14L1Z | \$1,159.00 |
| ⊗ LWAE14LF3YJO | \$1,239.00 |
| ⊗ LWCE4L1Z | \$957.00 |
| ⊗ LWCE4S1Z | \$1,148.00 |
| ⊗ LWCE4LF1Z | \$957.00 |
| ⊗ LWCE4L2YJO | \$1,002.00 |
| ⊗ LWCE8L1Z | \$1,004.00 |
| ⊗ LWCE8S1Z | \$1,195.00 |
| ⊗ LWCE8LF1Z | \$1,004.00 |
| ⊗ LWCE8LK1Z | \$1,015.00 |
| ⊗ LWCE8SF1Z | \$1,195.00 |
| ⊗ LWCE14LF3YJO | \$1,271.00 |
| ⊗ LWTLA14S3K | \$1,461.00 |
| ⊗ LZ08L | \$905.00 |
| ⊗ LZ08S | \$951.00 |
| ⊗ LZ08L2JO | \$947.00 |
| ⊗ LZ08S2JO | \$993.00 |
| ⊗ LZ08L3JO | \$979.00 |
| ⊗ LZ08S3JO | \$1,025.00 |
| ⊗ LZOSTL8LC | \$1,432.00 |
| ⊗ LZOSTL8SC | \$1,524.00 |
| ⊗ LZOSTL8L2JOC | \$1,474.00 |
| ⊗ LZOSTL8S2JOC | \$1,566.00 |
| ⊗ LZOSTL8L3JOC | \$1,506.00 |
| ⊗ LZOSTL8S3JOC | \$1,598.00 |
| ⊗ LZODL | \$747.00 |
| ⊗ LZODS | \$793.00 |
| ⊗ LZS8L | \$811.00 |
| ⊗ LZS8S | \$861.00 |
| ⊗ LZS8LF | \$811.00 |
| ⊗ LZS8SF | \$861.00 |
| ⊗ LZSVR8L | \$854.00 |
| ⊗ LZSVR8S | \$904.00 |
| ⊗ LZS8L2JO | \$856.00 |
| ⊗ LZS8S2JO | \$906.00 |
| ⊗ LZS8L3JO | \$891.00 |
| ⊗ LZS8S3JO | \$941.00 |
| ⊗ LZSTL8LC | \$1,365.00 |
| ⊗ LZSTL8SC | \$1,465.00 |
| ⊗ LZSTL8LFC | \$1,365.00 |
| ⊗ LZSTL8SFC | \$1,465.00 |
| ⊗ LZSTLVR8LC | \$1,455.00 |
| ⊗ LZSTLVR8SC | \$1,555.00 |
| ⊗ LZSTL8LC | \$1,365.00 |
| ⊗ LZSTL8SC | \$1,465.00 |
| ⊗ LZSTL8LFC | \$1,365.00 |
| ⊗ LZSDS | \$695.00 |
| ⊗ LZSTLDDLC | \$1,199.00 |
| ⊗ LZSTLDDSC | \$1,299.00 |
| ⊗ OHFAVR8S1Z | \$1,540.00 |

| Elkay Model | List Price |
|------------------|------------|
| ⊗ VRCGRN8 | \$950.00 |
| ⊗ VRCGRNTL8C | \$1,520.00 |
| VRC8S | \$909.00 |
| ⊗ VRCSC8S | \$954.00 |
| ⊗ VRCFR8S | \$1,342.00 |
| ⊗ VRCSCFR8S | \$1,387.00 |
| ⊗ VRC8S2JO | \$954.00 |
| ⊗ VRCSC8S2JO | \$999.00 |
| ⊗ VRC8S3JO | \$989.00 |
| ⊗ VRCSC8S3JO | \$1,034.00 |
| VRCTL8SC | \$1,479.00 |
| ⊗ VRCTLSC8SC | \$1,524.00 |
| ⊗ VRCTLFR8SC | \$2,345.00 |
| ⊗ VRCTLSCFR8SC | \$2,390.00 |
| ⊗ VRCTL8S2JOC | \$1,524.00 |
| ⊗ VRCTLSC8S2JOC | \$1,569.00 |
| ⊗ VRCTL8S3JOC | \$1,559.00 |
| ⊗ VRCTLSC8S3JOC | \$1,604.00 |
| ⊗ VRCTLR8SC | \$1,479.00 |
| ⊗ VRCTLRSC8SC | \$1,524.00 |
| ⊗ VRCTLRFR8SC | \$2,345.00 |
| ⊗ VRCTLRSCFR8SC | \$2,390.00 |
| ⊗ VRCTLR8S2JOC | \$1,524.00 |
| ⊗ VRCTLRSC8S2JOC | \$1,569.00 |
| ⊗ VRCTLR8S3JOC | \$1,559.00 |
| ⊗ VRCTLRSC8S3JOC | \$1,604.00 |
| ⊗ VRCDS | \$567.00 |
| ⊗ VRCSCDS | \$612.00 |
| ⊗ VRCFRDS | \$1,000.00 |
| ⊗ VRCFLDDSC | \$916.00 |
| ⊗ VRCTLRSCDDSC | \$961.00 |
| ⊗ VRCTLRDDSC | \$916.00 |
| ⊗ VRCTLRDDSC | \$916.00 |
| ⊗ VRCTLRDDSC | \$1,782.00 |
| ⊗ VRCTLRSCDDSC | \$961.00 |

REFRIGERATED FOUNTAIN KITS

Legend

- 2 = 220V/50Hertz
- 3 = 220V/60Hertz
- CD = Cup Dispenser
- F = Glass Filler - Prep Only, unless noted with ▲
- FP(RA)K = Freeze Protection
- M = Mounting Box or Plate included
- RA = Two-Level Reversed
- V or VR = Vandal Resistant Bubbler

| Elkay Model | List Price |
|---------------|------------|
| ⊗ ECRSP8K | \$2,347.00 |
| ⊗ ECRSPM8K | \$2,536.00 |
| ⊗ ECRSPVR8K | \$2,392.00 |
| ⊗ ECRSPVRM8K | \$2,581.00 |
| EFRC8K | \$2,346.00 |
| EFRCM8K | \$2,607.00 |
| ▲ ⊗ EFRC8FK | \$2,544.00 |
| ▲ ⊗ EFRCM8FK | \$2,805.00 |
| ⊗ EFRC8CDK | \$4,479.00 |
| ⊗ EFRCM8CDK | \$2,850.00 |
| ⊗ EFRC82K | \$2,391.00 |
| ⊗ EFRCM82K | \$4,740.00 |
| ▲ ⊗ EFRCM82FK | \$2,652.00 |
| ⊗ EFRCM82CDK | \$4,785.00 |
| ⊗ EFRC83K | \$2,426.00 |
| ⊗ EFRC12K | \$2,465.00 |
| ⊗ EFRCM12K | \$2,726.00 |
| ▲ ⊗ EFRC12FK | \$2,663.00 |
| ▲ ⊗ EFRCM12FK | \$2,924.00 |
| ⊗ EFRC12CDK | \$4,598.00 |
| ⊗ EFRCM12CDK | \$4,859.00 |
| ⊗ EFRC122K | \$2,510.00 |
| ⊗ EFRCM122K | \$2,771.00 |
| ⊗ EFRCM122CDK | \$4,904.00 |
| ⊗ EFRC123K | \$2,545.00 |
| ⊗ EFRCM123K | \$2,806.00 |

▲ = Glass Filler included ⊗ = Non-stock item

| Elkay Model | List Price |
|----------------|------------|
| ⊗ EFRM123CDK | \$4,939.00 |
| ⊗ EFRPC8K | \$4,478.00 |
| ⊗ EFRPCM8K | \$4,876.00 |
| ⊗ EFRPCM82K | \$4,921.00 |
| EHFRA7K | \$2,630.00 |
| ⊗ EHFRA7K | \$2,962.00 |
| ▲ ⊗ EHFRA7FK | \$2,828.00 |
| ⊗ EHFRA72K | \$2,675.00 |
| ⊗ EHFRA73K | \$2,710.00 |
| ⊗ ENOB8K | \$2,869.00 |
| ⊗ ENOBM8K | \$3,058.00 |
| ⊗ ENOB28K | \$3,880.00 |
| ⊗ ENOBM28K | \$4,116.00 |
| ⊗ ENOB28RAK | \$3,880.00 |
| ⊗ ENOBM28RAK | \$4,116.00 |
| ⊗ ERFP8K | \$2,347.00 |
| ⊗ ERFPM8K | \$2,536.00 |
| ⊗ ERFP8FK | \$2,347.00 |
| ⊗ ERFPVR8K | \$2,392.00 |
| ⊗ ERFPVRM8K | \$2,581.00 |
| ⊗ ERFP82K | \$2,392.00 |
| ⊗ ERFPM82K | \$2,581.00 |
| ERFP28K | \$3,248.00 |
| ERFPM28K | \$3,484.00 |
| ⊗ ERFP28FK | \$3,248.00 |
| ⊗ ERFPM28FK | \$3,484.00 |
| ⊗ ERFPVR28K | \$3,338.00 |
| ⊗ ERFPMVR28K | \$3,574.00 |
| ⊗ ERFP282K | \$3,293.00 |
| ⊗ ERFPM282K | \$3,529.00 |
| ⊗ ERFP28RAK | \$3,248.00 |
| ⊗ ERFPM28RAK | \$3,484.00 |
| ⊗ ERFPVR28RAK | \$3,338.00 |
| ⊗ ERFPMVR28RAK | \$3,574.00 |
| ⊗ ERO8K | \$2,551.00 |
| ⊗ EROM8K | \$2,740.00 |
| ⊗ EROM82K | \$2,785.00 |
| ⊗ ERO28K | \$3,453.00 |
| ⊗ EROM28K | \$3,689.00 |
| ⊗ EROM282K | \$3,734.00 |
| ⊗ ERO28RAK | \$3,453.00 |
| ⊗ EROM28RAK | \$3,689.00 |
| ERP8K | \$2,655.00 |
| ⊗ ERPBM8K | \$2,844.00 |
| ⊗ ERPBV8K | \$2,700.00 |
| ⊗ ERPBMV8K | \$2,889.00 |
| ⊗ ERPBM82K | \$2,889.00 |
| ERP28K | \$3,673.00 |
| ⊗ ERPBM28K | \$3,911.00 |
| ⊗ ERPBV28K | \$3,763.00 |
| ⊗ ERPBMV28K | \$3,999.00 |
| ERP28RAK | \$3,673.00 |
| ⊗ ERPBM28RAK | \$3,911.00 |
| ⊗ ERPBV28RAK | \$3,763.00 |
| ⊗ ERPBMV28RAK | \$3,999.00 |
| ⊗ LCRSPM8K | \$2,604.00 |
| ⊗ LJNE8K | \$2,414.00 |
| ▲ ⊗ LJNE8FK | \$2,612.00 |
| ⊗ LJNEM8K | \$2,675.00 |
| ▲ ⊗ LJNEM8FK | \$2,873.00 |
| ▲ ⊗ LJNE82FK | \$2,459.00 |
| ⊗ LJNEM82K | \$2,720.00 |
| ⊗ LJNE12K | \$2,474.00 |
| ⊗ LJNEM12K | \$2,839.00 |
| ▲ ⊗ LJNE122FK | \$2,672.00 |
| ▲ ⊗ LJNEM12FK | \$2,992.00 |
| ▲ ⊗ LJNEM122FK | \$3,037.00 |
| ⊗ LNFE8K | \$2,415.00 |
| ⊗ LNFEM8K | \$2,604.00 |
| ⊗ LNFE8FK | \$2,415.00 |
| ⊗ LNFEM8FK | \$2,604.00 |
| ⊗ LNFEM8VRK | \$2,649.00 |
| ⊗ LNFE82K | \$2,460.00 |

| Elkay Model | List Price |
|--------------|------------|
| ⊗ LNFEM82K | \$2,649.00 |
| ⊗ LNTE8K | \$3,315.00 |
| ⊗ LNTEM8K | \$3,552.00 |
| ⊗ LNTE8FK | \$3,315.00 |
| ⊗ LNTEM8FK | \$3,552.00 |
| ⊗ LNTE82K | \$3,360.00 |
| ⊗ LNTEM82K | \$3,597.00 |
| ⊗ LNTE8RAK | \$3,315.00 |
| ⊗ LNTEM8RAK | \$3,552.00 |
| ⊗ LNTEM8FRAK | \$3,552.00 |
| ⊗ LRPB8K | \$2,724.00 |
| ⊗ LRPBM8K | \$2,913.00 |
| ⊗ LRPBMV8K | \$2,958.00 |
| LRPB28K | \$3,742.00 |
| LRPBM28K | \$3,979.00 |
| ⊗ LRPBMV28K | \$4,069.00 |
| ⊗ LRPB28RAK | \$3,742.00 |
| ⊗ LRPBM282K | \$4,024.00 |
| ⊗ LRPBM28RAK | \$3,979.00 |

DRINKING FOUNTAINS

Legend

- F = Glass Filler - Prep Only, unless noted with ▲
- FP(RA)K = Freeze Protection
- M = Mounting Box or Plate included
- RA = Two-Level Reversed
- V or VR = Vandal Resistant Bubbler

| Elkay Model | List Price |
|-----------------|------------|
| DRKR10C | \$296.00 |
| DRKR14C | \$474.00 |
| ⊗ DRKR14RC | \$391.00 |
| ⊗ DRKR14RC | \$519.00 |
| ⊗ ECDFPW314C | \$1,303.00 |
| ⊗ ECDFPWVR314C | \$1,348.00 |
| ⊗ ECDFPW314FPK | \$1,873.00 |
| EDF15R | \$267.00 |
| EDF210C | \$2,903.00 |
| ⊗ EDF214WC | \$741.00 |
| EDF310C | \$3,199.00 |
| EDFB12C | \$1,482.00 |
| ▲ ⊗ EDFB12FC | \$1,680.00 |
| ⊗ EDFB12FPK | \$2,052.00 |
| ⊗ EDFBC12PBC | \$1,482.00 |
| ⊗ EDFBC212C | \$2,962.00 |
| EDFP19C | \$948.00 |
| EDFP210C | \$889.00 |
| ⊗ EDFP210FPK | \$1,459.00 |
| ⊗ EDFP210RC | \$974.00 |
| EDFP214C | \$948.00 |
| ⊗ EDFP214FC | \$948.00 |
| ⊗ EDFPVR214C | \$993.00 |
| ⊗ EDFP214FPK | \$1,518.00 |
| ⊗ EDFP214RC | \$1,033.00 |
| ⊗ EDFPVR214RC | \$1,042.00 |
| EDFP217C | \$2,014.00 |
| ⊗ EDFP217FC | \$2,014.00 |
| ⊗ EDFPVR217C | \$2,104.00 |
| ⊗ EDFP217FPK | \$3,154.00 |
| ⊗ EDFP217RAC | \$2,014.00 |
| ⊗ EDFPVR217RAC | \$2,104.00 |
| ⊗ EDFP217FPRAK | \$3,154.00 |
| ⊗ EDFPVR217RC | \$2,391.00 |
| ⊗ EDFPVR217RFPK | \$3,285.00 |
| ⊗ EDFP220RC | \$2,370.00 |
| ⊗ EDFPVR220RC | \$2,460.00 |
| ⊗ EDFPVR320RC | \$3,250.00 |
| EDFPB114C | \$1,540.00 |
| ⊗ EDFPBV114C | \$1,585.00 |
| ⊗ EDFPB114FPK | \$2,110.00 |
| ◆ EDFPB117C | \$2,488.00 |

| Elkay Model | List Price |
|-------------------|------------|
| EDFPBM117C | \$2,725.00 |
| ◆ ⊗ EDFPBV117C | \$2,488.00 |
| ⊗ EDFPBMV117C | \$2,815.00 |
| ◆ ⊗ EDFPB117FPK | \$3,628.00 |
| ⊗ EDFPBM117FPK | \$3,865.00 |
| ⊗ EDFPBMV117FPK | \$1,659.00 |
| ◆ ⊗ EDFPB117RAC | \$2,488.00 |
| ⊗ EDFPBM117RAC | \$2,725.00 |
| ◆ ⊗ EDFPBV117RAC | \$2,488.00 |
| ⊗ EDFPBMV117RAC | \$2,815.00 |
| ◆ ⊗ EDFPB117FPRAK | \$3,628.00 |
| ⊗ EDFPBM117FPRAK | \$3,865.00 |
| ⊗ EDFPBMV117FPRAK | \$3,955.00 |
| ◆ ⊗ EDFPBW114C | \$1,659.00 |
| EDFPBWM114C | \$1,778.00 |
| ◆ ⊗ EDFPBW114C | \$1,704.00 |
| ⊗ EDFPBWMV114C | \$1,823.00 |
| ◆ ⊗ EDFPBW114FPK | \$2,229.00 |
| ⊗ EDFPBWM114FPK | \$2,348.00 |
| ⊗ EHW114C | \$1,599.00 |
| ⊗ EHW117C | \$2,726.00 |
| ⊗ EHW114FPK | \$2,169.00 |
| ⊗ EHW117FPK | \$3,866.00 |
| ◆ ⊗ EHW214C | \$1,511.00 |
| EHWM214C | \$1,630.00 |
| ◆ ⊗ EHW214FPK | \$2,081.00 |
| ⊗ EHW214FPK | \$2,200.00 |
| ◆ ⊗ EHW217C | \$2,547.00 |
| EHWM217C | \$2,784.00 |
| ◆ ⊗ EHW217FPK | \$3,687.00 |
| ⊗ EHW217FPK | \$3,924.00 |
| ◆ ⊗ EHW217RAC | \$2,547.00 |
| ⊗ EHW217RAC | \$2,784.00 |
| ◆ ⊗ EHW217FPRAK | \$3,687.00 |
| ⊗ EHW217FPRAK | \$3,924.00 |

REMOTE CHILLERS

Legend

- 2 = 220V/50Hertz
- 3 = 220V/60Hertz

| Elkay Model | List Price |
|-------------|------------|
| ECH8 | \$889.00 |
| ⊗ ECH82 | \$934.00 |
| ⊗ ECH83 | \$969.00 |
| ECP8 | \$829.00 |
| ⊗ ECP82 | \$874.00 |
| ⊗ ECP83 | \$909.00 |
| ECU8 | \$829.00 |
| ⊗ ECU82 | \$874.00 |
| ⊗ ECU83 | \$909.00 |
| ER101Y | \$1,304.00 |
| ⊗ ER102Y | \$1,349.00 |
| ⊗ ER103Y | \$1,384.00 |
| ER191 | \$2,014.00 |
| ⊗ ER192 | \$2,059.00 |
| ⊗ ER193 | \$2,094.00 |
| ER21Y | \$687.00 |
| ⊗ ER22Y | \$732.00 |
| ER301 | \$2,370.00 |
| ⊗ ER302 | \$2,415.00 |
| ⊗ ER303 | \$2,450.00 |
| ⊗ ER51Y | \$1,185.00 |
| ⊗ ER52Y | \$1,230.00 |
| ⊗ ER53Y | \$1,265.00 |
| ERS11Y | \$746.00 |
| ⊗ ERS12Y | \$791.00 |
| ⊗ ERW201 | \$2,370.00 |
| ⊗ ERW202 | \$2,415.00 |
| ⊗ ERW321 | \$2,488.00 |

▲ = Glass Filler included ⊗ = Non-stock item ◆ = Designed for use with In-Wall Carrier Accessories

ACCESSORIES

| Elkay Model | Description | List Price |
|-------------|---------------------------------|------------|
| 45392C | VANDAL RESISTANT BUBBLER | \$45.00 |
| 56073C | FLEXI-GUARD® BUBBLER | \$17.00 |
| 97258C | CANE TOUCH APRON-SOFT SIDES® | \$164.00 |
| 97446C | VR BUBBLER REPLCMNT KIT | \$80.00 |
| 98234C | CANE APRON-VRCTL | \$157.00 |
| 98262C | FILTER MONITOR (AUDIO) | \$256.00 |
| ⊗ 98313C | CANE APRON-EMABF (L) | \$156.00 |
| ⊗ 98324C | CANE APRON-EMABF (SS) | \$189.00 |
| 98481C | VR STREAMSAVERTM | \$100.00 |
| 98501C | FLEXI-GUARD® STREAMSAVER™ | \$25.00 |
| AP99 | ACCESS PANEL KIT | \$83.00 |
| EG1 | LOUVERED GRILLE | \$450.00 |
| ⊗ EG2 | LOUVERED GRILLE | \$255.00 |
| ⊗ EG3 | LOUVERED GRILLE | \$338.00 |
| EWf172 | WATER FILTER KIT (WATERSENTRY) | \$91.00 |
| LF2 | WATER FILTER KIT (IN-LINE) | \$80.00 |
| LK109A | GLASS FILLER (RECESSED UNITS) | \$198.00 |
| LK1110 | GLASS FILLER-GOOSENECK | \$191.00 |
| LK1114 | GLASS FILLER-GOOSENECK | \$240.00 |
| LK142 | BUBBLER ASSY | \$114.00 |
| LKAPR1 | CANE APRON-SWIRLFLO | \$213.00 |
| LKAPR2 | CANE APRON-EHWM14/17C | \$320.00 |
| LKAPREZL | CANE APRON-EZ | \$157.00 |
| MB23A | MOUNTING BOX | \$261.00 |
| ⊗ MB23AL | MOUNTING BOX W/FILTER HEAD | \$320.00 |
| ⊗ MB232A | MOUNTING BOX 220V | \$261.00 |
| ⊗ MB232AL | MOUNTING BOX 220V W/FILTER HEAD | \$320.00 |
| ⊗ MB24 | MOUNTING BOX | \$137.00 |
| ⊗ MB30 | MOUNTING BOX | \$332.00 |
| MF100 | MOUNTING FRAME-SGL | \$189.00 |
| MF200 | MOUNTING FRAME-DBL | \$236.00 |
| ⊗ MFC100 | MOUNTING FRAME-CHILD ADA | \$189.00 |
| ML100 | IN-WALL SUPPORT LEGS | \$320.00 |
| MLP100 | IN-WALL MTG FRAME-SGL | \$450.00 |
| MLP200 | IN-WALL MTG FRAME-DBL | \$740.00 |
| MP20 | WALL PLATE ASSY - RH ADA | \$237.00 |
| MP20RA | WALL PLATE ASSY - LH ADA | \$237.00 |
| MPW101 | IN-WALL MTG PLATE-SGL | \$124.00 |
| MPW200 | IN-WALL MTG PLATE-DBL | \$218.00 |
| ⊗ MPW201 | IN-WALL MTG PLATE-EDFP220 | \$260.00 |
| PM3 | POST MOUNT SHELF | \$255.00 |
| ⊗ PM4 | POST MOUNT SHELF | \$255.00 |
| RP2130 | REMODELING PANEL | \$164.00 |
| WP2 | WALL PLATE | \$125.00 |

⊗ = Non-stock item

Elkay

2222 Camden Court
 Oak Brook, Illinois 60523 U.S.A.
 Phone: (630) 574-8484 Fax: (630) 574-5012
 Customer Service: (630) 572-3192
 elkayusa.com